



CAM FOLLOWERS & SUPPORT ROLLERS



Shanghai chenghui (C&H) Bearing Co.,Ltd
2-1709, No 289, Zheqian Road, Pudong, Shanghai, China
Tel: +86 (0) 21 58356710 Fax: +86 (0) 21 58356720
E-mail: jason@chenghuibearing.com / chenghui-china.com

Content

Content	Page
Cover	1
Foreword	2
Technical information	3
KR, KR..PP, KRV, KRV..PP. KRE..PP. KRVE..PP	5
NUKR, NUKRE	31
PWKR, PWKRE	33
Interchange of cam follower metric	35
Inch CF, CFH	41
Interchange of cam follower inch	53
Miniature cam followers	63
RSTO, STO	65
RNA22..2RS, NA22..2RS	67
NAST..ZZ	69
NATR, NATV	71
NUTR	75
PWTR	77
NNTR	79
Inch CYR	81
Cam FollCam Followers for Pallet Changers	84

Accuracy

Table 1 - Tolerances

unit: μm

Item	Series	Miniature Type Cam Followers CFS		Standard Type Cam Followers (*)		Inch Series Cam Followers	
				Crowned outer ring	Cylindrical outer ring	Crowned outer ring	Cylindrical outer ring
Outside dia. of outer ring D		See Table 2.1		0 -50	See Table 2.2	0 -50	See Table 2.3
Stud diameter d_1		h6		h7		+ 25 0	
Width of outer ring C		0 -120		0 -120		0 -130	

Note (*) Applicable for Cam Followers other than Miniature Type Cam Followers and Inch Series Cam Followers.

Table 2.1 - Tolerance and allowance of outer ring (Miniature Type Cam Followers CFS)

unit: μm

ΔD_{mp} Deviation of mean outside diameter in a single plane								K_{ea} Radial runout of outer ring of assembled bearing (Maximum)			
Class 0		Class 6		Class 5		Class 4		Class 0	Class 6	Class 5	Class 4
High	Low	High	Low	High	Low	High	Low				
0	-8	0	-7	0	-5	0	-4	15	8	5	4

Table 2.2 - Tolerance and allowance of outer ring (Standard Type Cam Followers, Cylindrical outer ring)

unit: μm

D Nominal outside diameter of outer ring mm		ΔD_{mp} Deviation of mean outside diameter in a single plane		V_{Dsp} Variation of outside diameter in a single plane (Maximum)	V_{Dmp} Variation of mean outside diameter (Maximum)	K_{ea} Radial runout of outer ring of assembled bearing (Maximum)
Over	Incl.	High	Low			
6	18	0	- 8	10	6	15
18	30	0	- 9	12	7	15
30	50	0	-11	14	8	20
50	80	0	-13	16	10	25
80	120	0	-15	19	11	35

Table 2.3 - Tolerance and allowance of outer ring (Inch series Cam Followers, Cylindrical outer ring)

unit: μm

D Nominal outside diameter of outer ring mm		ΔD_{mp} Deviation of mean outside diameter in a single plane		V_{Dsp} Variation of outside diameter in a single plane (Maximum)	V_{Dmp} Variation of mean outside diameter (Maximum)	K_{ea} Radial runout of outer ring of assembled bearing (Maximum)
Over	Incl.	High	Low			
6	18	0	-25	10	6	15
18	30			12	7	15
30	50			14	8	20
50	80			16	10	25
80	120			19	11	35

Radial Internal Clearance

Table 3 Radial internal clearance

unit: μm

Identification number				Radial internal clearance			
Miniature Type Cam Followers CFS	Standard Type Cam Followers (1)		Cylindrical Roller Cam Followers	Inch Series Cam Followers	Min.	Max.	
CFS1.4 to CFS5	KR	10 to KR	13	–	CF1/2N, 1/2, 9/16; CFH1/2, 9/16	3	17
CFS6	KR	16		–	CF5/8N, 5/8, 11/16; CFH5/8, 11/16	5	20
–	KR	19 to KR	32	–	CF3/4 to 1-3/8; CFH3/4 to 1-3/8	5	25
–	KR	35 to KR	52	–	CF1/2 to 2-1/4; CFH1/2 to 2-1/4	10	30
–	KR	62 to KR	90	–	CF3; CFH2-1/2 to 3-1/2	10	40
–	–	–	–	–	CFH4	15	50
–	–	–	–	NUKR35 to NUKR62	PWKR35 to PWKR62	20	45
–	–	–	–	NUKR72 to NUKR90	PWKR72 to PWKR90	25	50

Note (1) Applicable for all Cam Followers other than Miniature Type Cam Followers, Cylindrical Roller Cam Followers and Inch Series Cam Followers.

Fit

Recommended fit of the Cam Followers stud and mounting hole is shown in Table 4 and dimensional tolerances of mounting hole are shown in Table 7, respectively. Since the Cam Follower is supported in a cantilever position, the mounting hole diameter should be prepared without play between the stud and the hole especially when heavy shock loads are applied.

Table 4 Recommended fit

Model of bearing	Tolerance class of mounting hole for stud
Miniature Type Cam Followers CFS	H6
Standard Type Cam Followers (1)	H7
Inch Series Cam Followers	F7

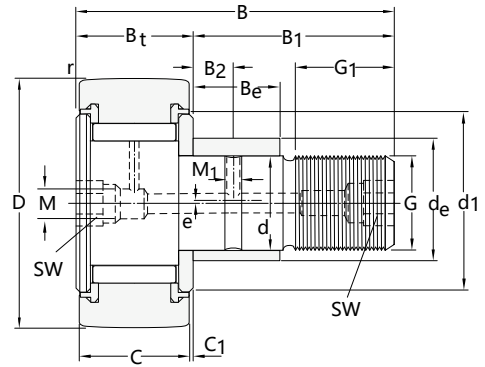
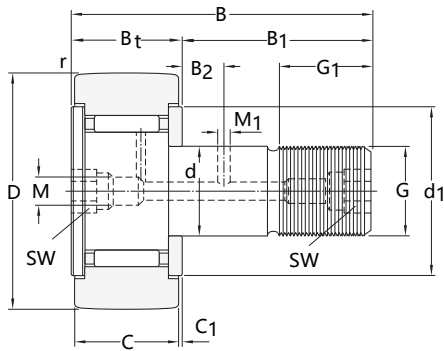
Note (1) Applicable for Cam Followers other than Miniature Type Cam Followers and Inch Series Cam Followers.

Table 5 Dimensional tolerances of mounting hole

unit: μm

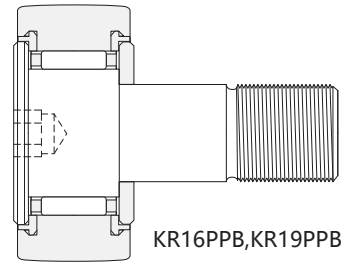
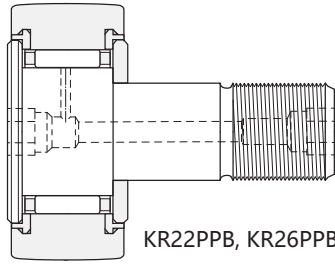
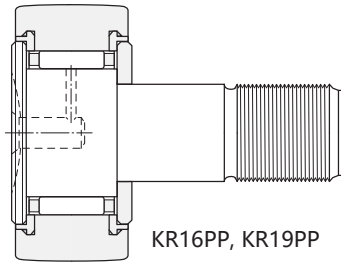
Classification of diameter mm		F7		H6		H7	
Over	Incl.	High	Low	High	Low	High	Low
–	3	+16	+ 6	+ 6	0	+10	0
3	6	+22	+10	+ 8	0	+12	0
6	10	+28	+13	+ 9	0	+15	0
10	18	+34	+16	+11	0	+18	0
18	30	+41	+20	+13	0	+21	0
30	40	+50	+25	+16	0	+25	0
40	50						

Metric Cam Followers



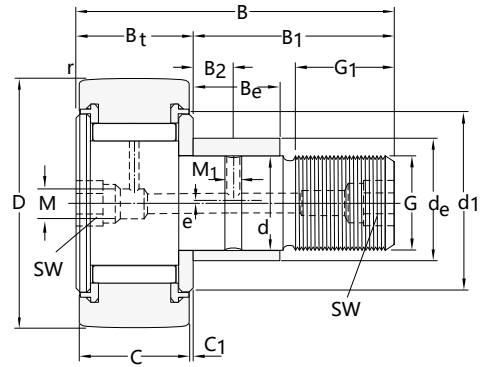
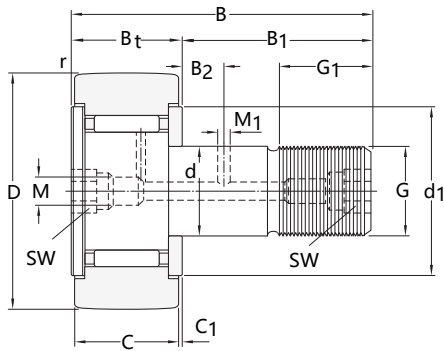
Designation		D		C		d		B _t	C ₁	G ₁	B	R	e	Be	de	Fr	For
W/O Seals	With Seals	Outside Diameter		Outer Ring Width		Stud Diameter		Stud Length	Dist. outer ring face to washer face	Min. Thread Length	Total Length	Cylindrical Suffix X	Ecc	Locking collar width	Locking collar OD	Max. dynamic radial loads	Max. static radial loads
		mm / inch															
		Nom.	Tol.	Nom.	Tol.	Nom.	Tol.	(Ref)	(Ref)	(Ref)	(Ref)	Radius	(Ref)	+0/--.15 +.002/--.006	(Ref)	(Ref)	N/lb
KR 13	KR 13 PP	13.000 .5118	+0/--.050 +0/--.002	9.000 .3543	0/-0.12 +0/-0.005	5.000 .1969	+0/--.012 +0/--.0005	13 .5	.60 .024	7.5 .30	23 .9	500 19.7	N/A	N/A	N/A	2,060 463	1,650 371
KR 13 B	KR 13 PPB		Cylindrical														
KR 13 X	KR 13 PPX																
KR 13 BX	KR 13 PPBX																
KRV 16	KRV 16 PP	16.000 .6299	+0/--.050 +0/--.002	11.000 .4331	0/-0.12 +0/-0.005	6.000 .2362	+0/--.012 +0/--.0005	16 .6	.60 .024	8.0 .315	28 1.1	500 19.7	N/A	N/A	N/A	4,850 1,090	6,500 1,461
KRV 16 B	KRV 16 PPB		Cylindrical														
KRV 16 X	KRV 16 PPX																
KRV 16 BX	KRV 16 PPBX																
KRVE 16	KRVE 16 PP	16.000 .6299	+0/--.050 +0/--.002	11.000 .4331	0/-0.12 +0/-0.005	6.000 .2362	+0/--.012 +0/--.0005	16 .6	.60 .024	8.0 .315	28 1.1	500 19.7	0.5 .02	7 0.27	9 .35	3,150 708	3,300 742
KRVE 16 B	KRVE 16 PPB		Cylindrical														
KRVE 16 X	KRVE 16 PPX																
KRVE 16 BX	KRVE 16 PPBX																
KR 16	KR 16 PP	16.000 .6299	+0/--.050 +0/--.002	11.000 .4331	0/-0.12 +0/-0.005	6.000 .2362	+0/--.012 +0/--.0005	16 .6	.60 .024	8.0 .315	28 1.1	500 19.7	N/A	N/A	N/A	5,500 1,236	7,900 1,776
KR 16 B	KR 16 PPB		Cylindrical														
KR 16 X	KR 16 PPX																
KR 16 BX	KR 16 PPBX																
KRE 16	KRE 16 PP	16.000 .6299	+0/--.050 +0/--.002	11.000 .4331	0/-0.12 +0/-0.005	6.000 .2362	+0/--.012 +0/--.0005	16 .6	.60 .024	8.0 .315	28 1.1	500 19.7	0.5 .02	7 0.27	9 .35	5,500 1,236	7,900 1,776
KRE 16 B	KRE 16 PPB		Cylindrical														
KRE 16 X	KRE 16 PPX																
KRE 16 BX	KRE 16 PPBX																
KRV 19	KRV 19 PP	19.000 .7480	+0/--.050 +0/--.002	11.000 .4331	+0/--.12 +0/--.005	8.000 .3150	+0/--.015 +0/--.0006	20 .8	.60 .024	10.0 .3937	32 1.3	500 19.7	N/A	N/A	N/A	5,500 1,236	7,900 1,776
KRV 19 B	KRV 19 PPB		Cylindrical														
KRV 19 X	KRV 19 PPX																
KRV 19 BX	KRV 19 PPBX																
KRVE 19	KRVE 19 PP	19.000 .7480	+0/--.050 +0/--.002	11.000 .4331	+0/--.12 +0/--.005	8.000 .3150	+0/--.015 +0/--.0006	20 .8	.60 .024	10.0 .3937	32 1.3	500 19.7	0.5 .02	9 0.35	11 .43	5,500 1,236	7,900 1,776
KRVE 19 B	KRVE 19 PPB		Cylindrical														
KRVE 19 X	KRVE 19 PPX																
KRVE 19 BX	KRVE 19 PPBX																

Metric Stud Type Track Roller Bearings



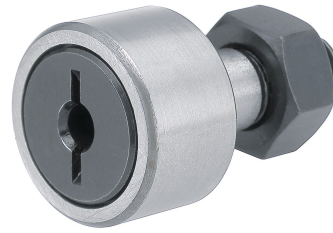
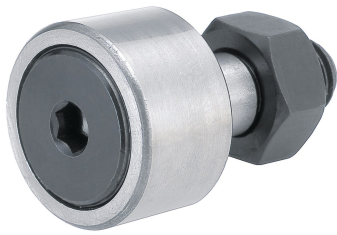
B ₂	M ₁	M	SW	d ₁	r	HBD		G	M _A	nDG	Mass	Designation	
Distance lub. hole to washer face	Diameter of lub. hole (shank)	Seat dia. for lub. accessories	Width of flats	Thrust washer outside diameter	Min. Fillet radius	Housing Bore Diameter		Thread Type	Max. tightening torque	Limiting Speed (Grease)	Bearing Weight	W/O Seals	With Seals
(Ref)	(Ref)	(Ref)	(Ref)	(Ref)	(Ref)	Nom.	Tol.		Nm in-lb	RPM	kg lb		
mm / inch													
-	-	3.1 .12	N/A	9 .354	.15 .0059	5.000 .1969	+.012/-0 +.0005/- 0	M5x0.8	2.2 19	20,000	.01 .02	MCFR 13	MCFR 13 S
		-	3.1 .12									MCFR 13 B	MCFR 13 SB
		3.1 .12	N/A									MCFR 13 X	MCFR 13 SX
		-	3.1 .12									MCFR 13 BX	MCFR 13 SBX
-	-	4 .16	N/A	12.5 .492	.15 .0059	6.000 .2362	+.012/-0 +.0005/- 0	M6x1	3 27	3,800	.02 .04	MCF 16	MCF 16 S
		-	4 .16									MCF 16 B	MCF 16 SB
		4 .16	N/A									MCF 16 X	MCF 16 SX
		-	4 .16									MCF 16 BX	MCF 16 SBX
-	-	4 .16	N/A	12.5 .492	.15 .0059	11.050 .4350	+.025/-0 +.0009/- 0	M6x1	3 27	3,800	.02 .04	MCFE 16	MCFE 16 S
		-	4 .16									MCFE 16 SB	
		4 .16	N/A									MCFE 16 SX	
		-	4 .16									MCFE 16 SBX	
-	-	4 .16	N/A	12.5 .492	.15 .0059	6.000 .2362	+.012/-0 +.0005/- 0	M6x1	3 27	14,000	.02 .04	MCFR 16	MCFR 16 S
		-	4 .16									MCFR 16 B	MCFR 16 SB
		4 .16	N/A									MCFR 16 X	MCFR 16 SX
		-	4 .16									MCFR 16 BX	MCFR 16 SBX
-	-	4 .16	N/A	12.5 .492	.15 .0059	11.050 .4350	+.012/-0 +.0005/- 0	M6x1	3 27	14,000	.02 .04	MCFRE 16	MCFRE 16 S
		-	4 .16									MCFRE 16 SB	
		4 .16	N/A									MCFRE 16 SX	
		-	4 .16									MCFRE 16 SBX	
-	-	4 .16	N/A	15 .59	.15 .0059	8.000 .3150	+.015/-0 +.0006/- 0	M8x1.25	8 71	3,100	.03 .07	MCF 19	MCF 19 S
		-	4 .16									MCF 19 B	MCF 19 SB
		4 .16	N/A									MCF 19 X	MCF 19 SX
		-	4 .16									MCF 19 BX	MCF 19 SBX
-	-	4 .16	N/A	15 .59	.15 .0059	13.050 .5138	+.025/-0 +.0009/- 0	M8x1.25	8 71	3,100	.03 .07	MCFE 19	MCFE 19 S
		-	4 .16									MCFE 19 SB	
		4 .16	N/A									MCFE 19 SX	
		-	4 .16									MCFE 19 SBX	

Metric Cam Followers



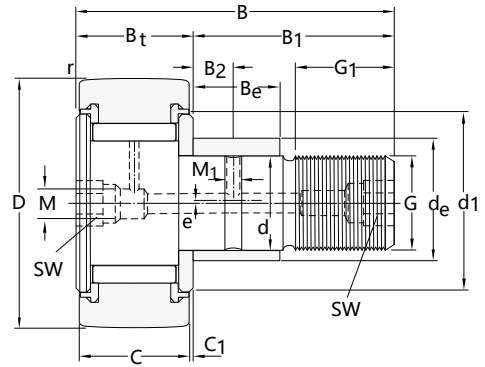
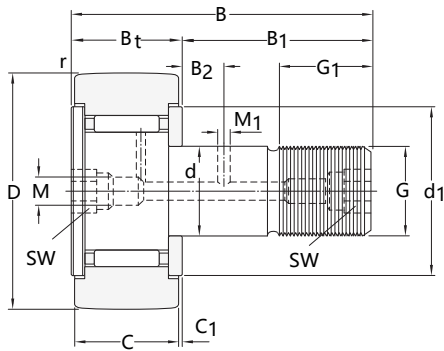
Designation		D		C		d		B _t	C ₁	G ₁	B	R	e	Be	de	Fr	For
W/O Seals	With Seals	Outside Diameter		Outer Ring Width		Stud Diameter		Stud Length	Dist. outer ring face to washer face	Min. Thread Length	Total Length	Cylindrical Suffix X	Ecc	Locking collar width	Locking collar OD	Max. dynamic radial loads	Max. static radial loads
		mm / inch															
		Nom.	Tol.	Nom.	Tol.	Nom.	Tol.	(Ref)	(Ref)	(Ref)	(Ref)	Radius	(Ref)	+0/- .15 +.002/- .006	(Ref)	(Ref)	N/lb
KR 19	KR 19 PP	19.000 .7480	+0/- .050 +0/- .002	11.000 .4331	+0/- .12 +0/- .005	8.000 .3150	+0/- .015 +0/- .0006	20 .8	.60 .024	10.0 .3937	32 1.3	500 19.7	N/A	N/A	N/A	3,500 787	3,900 877
KR 19 B	KR 19 PPB		Cylindrical														
KR 19 X	KR 19 PPX																
KR 19 BX	KR 19 PPBX																
KRE 19	KRE 19 PP	19.000 .7480	+0/- .050 +0/- .002	11.000 .4331	+0/- .12 +0/- .005	8.000 .3150	+0/- .015 +0/- .0006	20 .8	.60 .024	10.0 .3937	32 1.3	500 19.7	0.5 .02	9 0.35	11 .43	3,500 787	3,900 877
KRE 19 B	KRE 19 PPB		Cylindrical														
KRE 19 X	KRE 19 PPX																
KRE 19 BX	KRE 19 PPBX																
KRV 22	KRV 22 PP	22.000 .8661	+0/- .050 +0/- .002	12.000 .4724	+0/- .12 +0/- .005	10.000 .3937	+0/- .015 +0/- .0006	23 .9	.60 .024	12.0 .47	36 1.4	500 19.7	N/A	N/A	N/A	6,300 1,416	9,100 2,046
KRV 22 B	KRV 22 PPB		Cylindrical														
KRV 22 X	KRV 22 PPX																
KRV 22 BX	KRV 22 PPBX																
KRVE 22	KRVE 22 PP	22.000 .8661	+0/- .050 +0/- .002	12.000 .4724	+0/- .12 +0/- .005	10.000 .3937	+0/- .015 +0/- .0006	23 .9	.60 .024	12.0 .47	36 1.4	500 19.7	0.5 .02	10 0.39	13 .51	6,300 1,416	9,100 2,046
KRVE 22 B	KRVE 22 PPB		Cylindrical														
KRVE 22 X	KRVE 22 PPX																
KRVE 22 BX	KRVE 22 PPBX																
KR 22	KR 22 PP	22.000 .8661	+0/- .050 +0/- .002	12.000 .4724	+0/- .12 +0/- .005	10.000 .3937	+0/- .015 +0/- .0006	23 .9	.60 .024	12.0 .47	36 1.4	500 19.7	N/A	N/A	N/A	5,100 1,147	6,200 1,394
KR 22 B	KR 22 PPB		Cylindrical														
KR 22 X	KR 22 PPX																
KR 22 BX	KR 22 PPBX																
KRE 22	KRE 22 PP	22.000 .8661	+0/- .050 +0/- .002	12.000 .4724	+0/- .12 +0/- .005	10.000 .3937	+0/- .015 +0/- .0006	23 .9	.60 .024	12.0 .47	36 1.4	500 19.7	0.5 .02	10 0.39	13 .51	5,100 1,147	6,200 1,394
KRE 22 B	KRE 22 PPB		Cylindrical														
KRE 22 X	KRE 22 PPX																
KRE 22 BX	KRE 22 PPBX																
KRV 22A	KRV 22A PP	22.000 .8661	+0/- .050 +0/- .002	12.000 .4724	+0/- .12 +0/- .005	10.000 .3937	+0/- .015 +0/- .0006	23 .9	.60 .024	13.0 .51	36 1.4	500 19.7	N/A	N/A	N/A	6,300 1,416	9,100 2,046
KRV 22A B	KRV 22A PPB		Cylindrical														
KRV 22A X	KRV 22A PPX																
KRV 22A BX	KRV 22A PPBX																

Metric Stud Type Track Roller Bearings



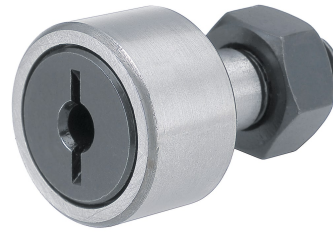
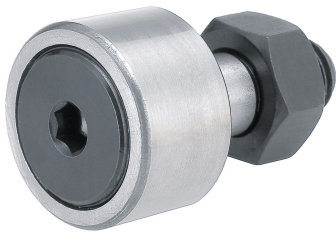
B ₂	M ₁	M	SW	d ₁	r	HBD		G	M _A	nDG	Mass	Designation	
Distance lub. hole to washer face	Diameter of lub. hole (shank)	Seat dia. for lub. accessories	Width of flats	Thrust washer outside diameter	Min. Fillet radius	Housing Bore Diameter		Thread Type	Max. tightening torque	Limiting Speed (Grease)	Bearing Weight	W/O Seals	With Seals
mm / inch													
(Ref)	(Ref)	(Ref)	(Ref)	(Ref)	(Ref)	Nom.	Tol.		Nm in-lb	RPM	kg lb		
-	-	4 .16	N/A	15 .59	.15 .0059	8.000 .3150	+.015/-0 +.0006/- 0	M8x1.25	8 71	11,000	.03 .07	MCFR 19	MCFR 19 S
		-	4 .16									MCFR 19 B	MCFR 19 SB
		4 .16	N/A									MCFR 19 X	MCFR 19 SX
		-	4 .16									MCFR 19 BX	MCFR 19 SBX
-	-	4 .16	N/A	15 .59	.15 .0059	13.050 .5138	+.015/-0 +.0006/- 0	M8x1.25	8 71	11,000	.03 .07	MCFRE 19	MCFRE 19 S
		-	4 .16									MCFRE 19 SB	MCFRE 19 SB
		4 .16	N/A									MCFRE 19 SX	MCFRE 19 SX
		-	4 .16									MCFRE 19 SBX	MCFRE 19 SBX
-	-	4 .16	N/A	17.5 .689	.3 .012	10.000 .3937	+.015/-0 +.0006/- 0	M10x1	15 133	2,600	.04 .09	MCF 22	MCF 22 S
		-	4 .16									MCF 22 B	MCF 22 SB
		4 .16	N/A									MCF 22 X	MCF 22 SX
		-	4 .16									MCF 22 BX	MCF 22 SBX
-	-	4 .16	N/A	17.5 .689	.3 .012	13.050 .5138	+0.025/-0 +0.0009/- 0	M10x1	15 133	2,600	.04 .09	MCFE 22	MCFE 22 S
		-	4 .16									MCFE 22 SB	MCFE 22 SB
		4 .16	N/A									MCFE 22 SX	MCFE 22 SX
		-	4 .16									MCFE 22 SBX	MCFE 22 SBX
-	-	4 .16	N/A	17.5 .689	.3 .012	10.000 .3937	+.015/-0 +.0006/- 0	M10x1	15 133	8,000	.04 .09	MCFR 22	MCFR 22 S
		-	4 .16									MCFR 22 B	MCFR 22 SB
		4 .16	N/A									MCFR 22 X	MCFR 22 SX
		-	4 .16									MCFR 22 BX	MCFR 22 SBX
-	-	4 .16	N/A	17.5 .689	.3 .012	13.050 .5138	+0.025/-0 +0.0009/- 0	M10x1	15 133	8,000	.04 .09	MCFRE 22	MCFRE 22 S
		-	4 .16									MCFRE 22 SB	MCFRE 22 SB
		4 .16	N/A									MCFRE 22 SX	MCFRE 22 SX
		-	4 .16									MCFRE 22 SBX	MCFRE 22 SBX
-	-	4 .16	N/A	15 .59	.5 .02	10.000 .3937	+.015/-0 +.0006/- 0	M10x1.25	15 133	2,600	.04 .09	MCF 22A	MCF 22A S
		-	5 .2									MCF 22A B	MCF 22A SB
		4 .16	N/A									MCF 22A X	MCF 22A SX
		-	5 .2									MCF 22A BX	MCF 22A SBX

Metric Cam Followers



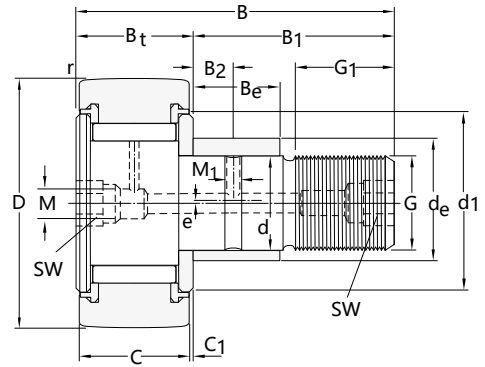
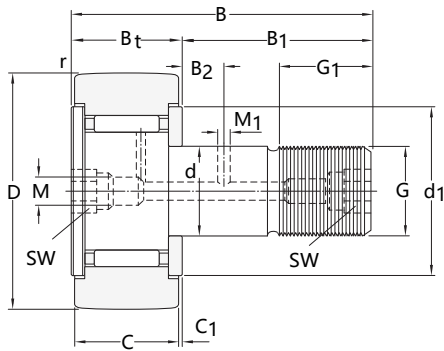
Designation		D		C		d		B _t	C ₁	G ₁	B	R	e	Be	de	Fr	For
W/O Seals	With Seals	Outside Diameter		Outer Ring Width		Stud Diameter		Stud Length	Dist. outer ring face to washer face	Min. Thread Length	Total Length	Cylindrical Suffix X	Ecc	Locking collar width	Locking collar OD	Max. dynamic radial loads	Max. static radial loads
		mm / inch															
		Nom.	Tol.	Nom.	Tol.	Nom.	Tol.	(Ref)	(Ref)	(Ref)	(Ref)	Radius	(Ref)	+0/--.15 +.002/--.006	(Ref)	N/lb	N/lb
KRVE 22A	KRVE 22A PP	22.000 .8661	+0/--.050 +0/--.002	12.000 .4724	+0/--.12 +0/--.005	10.000 .3937	+0/--.015 +0/--.0006	23 .9	.60 .024	13.0 .51	36 1.4	500 19.7	0.5 .02	10 0.39	13 .51	6,300 1,416	9,100 2,046
	KRVE 22A PPB		Cylindrical														
	KRVE 22A PPX																
	KRVE 22A PPBX																
KR 22A	KR 22A PP	22.000 .8661	+0/--.050 +0/--.002	12.000 .4724	+0/--.12 +0/--.005	10.000 .3937	+0/--.015 +0/--.0006	23 .9	.60 .024	13.0 .51	36 1.4	500 19.7	N/A	N/A	N/A	5,100 1,147	6,200 1,394
	KR 22A B		Cylindrical														
	KR 22A X																
	KR 22A BX																
KRE 22A	KRE 22A PP	22.000 .8661	+0/--.050 +0/--.002	12.000 .4724	+0/--.12 +0/--.005	10.000 .3937	+0/--.015 +0/--.0006	23 .9	.60 .024	13.0 .51	36 1.4	500 19.7	0.5 .02	10 0.39	13 .51	6,300 1,416	9,100 2,046
	KRE 22A PPB		Cylindrical														
	KRE 22A PPX																
	KRE 22A PPBX																
KRV 26	KRV 26 PP	26.000 1.0236	+0/--.050 +0/--.002	12.000 .4724	+0/--.12 +0/--.005	10.000 .3937	+0/--.015 +0/--.0006	23 .9	.60 .024	12.0 .47	36 1.4	500 19.7	N/A	N/A	N/A	7,300 1,641	11,300 2,540
	KRV 26 B		Cylindrical														
	KRV 26 X																
	KRV 26 BX																
KRVE 26	KRVE 26 PP	26.000 1.0236	+0/--.050 +0/--.002	12.000 .4724	+0/--.12 +0/--.005	10.000 .3937	+0/--.015 +0/--.0006	23 .9	.60 .024	12.0 .47	36 1.4	500 19.7	0.5 .02	10 0.39	13 .51	6,300 1,416	9,100 2,046
	KRVE 26 PPB		Cylindrical														
	KRVE 26 PPX																
	KRVE 26 PPBX																
KR 26	KR 26 PP	26.000 1.0236	+0/--.050 +0/--.002	12.000 .4724	+0/--.12 +0/--.005	10.000 .3937	+0/--.015 +0/--.0006	23 .9	.60 .024	12.0 .47	36 1.4	500 19.7	N/A	N/A	N/A	5,100 1,147	6,200 1,394
	KR 26 B		Cylindrical														
	KR 26 X																
	KR 26 BX																
KRE 26	KRE 26 PP	26.000 1.0236	+0/--.050 +0/--.002	12.000 .4724	+0/--.12 +0/--.005	10.000 .3937	+0/--.015 +0/--.0006	23 .9	.60 .024	12.0 .47	36 1.4	500 19.7	0.5 .02	10 0.39	13 .51	6,300 1,416	9,100 2,046
	KRE 26 PPB		Cylindrical														
	KRE 26 PPX																
	KRE 26 PPBX																

Metric Stud Type Track Roller Bearings



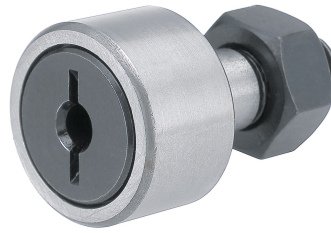
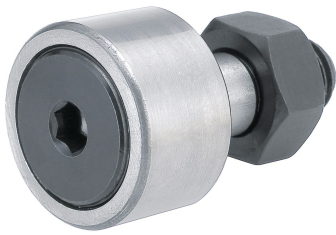
B ₂	M ₁	M	SW	d ₁	r	HBD		G	M _A	nDG	Mass	Designation	
Distance lub. hole to washer face	Diameter of lub. hole (shank)	Seat dia. for lub. accessories	Width of flats	Thrust washer outside diameter	Min. Fillet radius	Housing Bore Diameter		Thread Type	Max. tightening torque	Limiting Speed (Grease)	Bearing Weight	W/O Seals	With Seals
mm / inch													
(Ref)	(Ref)	(Ref)	(Ref)	(Ref)	(Ref)	Nom.	Tol.		Nm in-lb	RPM	kg lb		
-	-	4 .16	N/A	15 .59	.5 .02	13.050 .5138	+0.025/-0 +0.0009/- 0	M10x1.25	15 133	2,600	.04 .09	MCFE 22A	MCFE 22A S
		-	5 .2										MCFE 22A SB
		4 .16	N/A										MCFE 22A SX
		-	5 .2										MCFE 22A SBX
-	-	4 .16	N/A	15 .59	.5 .02	10.000 .3937	+0.015/-0 +0.0006/- 0	M10x1.25	15 133	8,000	.04 .09	MCFR 22A	MCFR 22A S
		-	5 .2										MCFR 22A B
		4 .2	N/A										MCFR 22A X
		-	5 .2										MCFR 22A BX
-	-	4 .16	N/A	15 .59	.5 .02	13.050 .5138	+0.025/-0 +0.0009/- 0	M10x1.25	15 133	8,000	.04 .09	MCFRE 22A	MCFRE 22A S
		-	5 .2										MCFRE 22A SB
		4 .16	N/A										MCFRE 22A SX
		-	5 .2										MCFRE 22A SBX
-	-	4 .16	N/A	17.5 .689	.3 .012	10.000 .3937	+0.015/-0 +0.0006/- 0	M10x1	15 133	2,600	.05 .11	MCF 26	MCF 26 S
		-	4 .16										MCF 26 B
		4 .16	N/A										MCF 26 X
		-	4 .16										MCF 26 BX
-	-	4 .16	N/A	17.5 .689	.3 .012	13.050 .5138	+0.025/-0 +0.0009/- 0	M10x1	15 133	2,600	.05 .11	MCFE 26	MCFE 26 S
		-	4 .16										MCFE 26 SB
		4 .16	N/A										MCFE 26 SX
		-	4 .16										MCFE 26 SBX
-	-	4 .16	N/A	17.5	.3 .012	10.000 .3937	+0.015/-0 +0.0006/- 0	M10x1	15 133	8,000	.05 .11	MCFR 26	MCFR 26 S
		-	4 .16										MCFR 26 B
		4 .16	N/A										MCFR 26 X
		-	4 .16										MCFR 26 BX
-	-	4 .16	N/A	17.5	.3 .012	13.050 .5138	+0.025/-0 +0.0009/- 0	M10x1	15 133	8,000	.05 .11	MCFRE 26	MCFRE 26 S
		-	4 .16										MCFRE 26 SB
		4 .16	N/A										MCFRE 26 SX
		-	4 .16										MCFRE 26 SBX

Metric Cam Followers



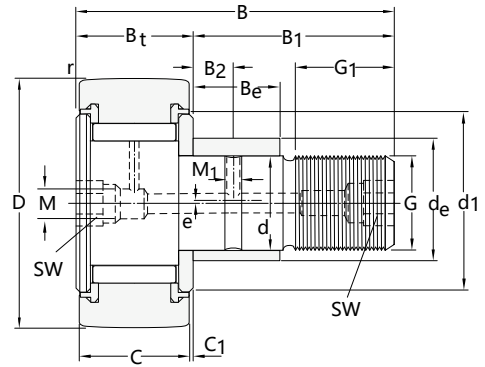
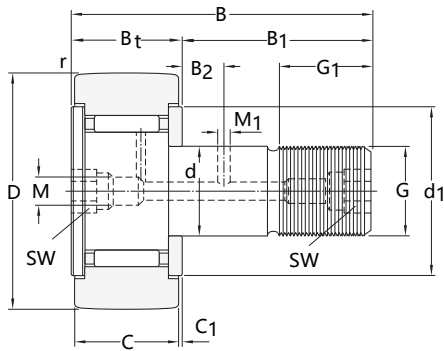
Designation		D		C		d		B _t	C ₁	G ₁	B	R	e	Be	de	Fr	For
W/O Seals	With Seals	Outside Diameter		Outer Ring Width		Stud Diameter		Stud Length	Dist. outer ring face to washer face	Min. Thread Length	Total Length	Cylindrical Suffix X	Ecc	Locking collar width	Locking collar OD	Max. dynamic radial loads	Max. static radial loads
		mm / inch															
		Nom.	Tol.	Nom.	Tol.	Nom.	Tol.	(Ref)	(Ref)	(Ref)	(Ref)	Radius	(Ref)	+0/- .15 +.002/- .006	(Ref)	N/lb	N/lb
KRV 26A	KRV 26A PP	26.000 1.0236	+0/- .050 +0/- .002	12.000 .4724	+0/- .12 +0/- .005	10.000 .3937	+0/- .015 +0/- .0006	23 .9	.60 .024	13.0 .51	36 1.4	500 19.7	N/A	N/A	N/A	7,300 1,641	11,300 2,540
KRV 26A B	KRV 26A PPB		Cylindrical														
KRV 26A X	KRV 26A PPX																
KRV 26A BX	KRV 26A PPBX																
KRVE 26A	KRVE 26A PP	26.000 1.0236	+0/- .050 +0/- .002	12.000 .4724	+0/- .12 +0/- .005	10.000 .3937	+0/- .015 +0/- .0006	23 .9	.60 .024	13.0 .51	36 1.4	500 19.7	0.5 .02	10 0.39	13 .51	5,100 1,147	6,200 1,394
KRVE 26A B	KRVE 26A PPB		Cylindrical														
KRVE 26A PPX	KRVE 26A PPX																
KRVE 26A PPBX	KRVE 26A PPBX																
KR 26A	KR 26A PP	26.000 1.0236	+0/- .050 +0/- .002	12.000 .4724	+0/- .12 +0/- .005	10.000 .3937	+0/- .015 +0/- .0006	23 .9	.60 .024	13.0 .51	36 1.4	500 19.7	N/A	N/A	N/A	5,100 1,147	6,200 1,394
KR 26A B	KR 26A PPB		Cylindrical														
KR 26A X	KR 26A PPX																
KR 26A BX	KR 26A PPBX																
KRE 26A	KRE 26A PP	26.000 1.0236	+0/- .050 +0/- .002	12.000 .4724	+0/- .12 +0/- .005	10.000 .3937	+0/- .015 +0/- .0006	23 .9	.60 .024	13.0 .51	36 1.4	500 19.7	0.5 .02	10 0.39	13 .51	5,100 1,147	6,200 1,394
KRE 26A B	KRE 26A PPB		Cylindrical														
KRE 26A PPX	KRE 26A PPX																
KRE 26A PPBX	KRE 26A PPBX																
KRV 30	KRV 30 PP	30.000 1.1811	+0/- .050 +0/- .002	14.000 .5512	+0/- .12 +0/- .005	12.000 .4724	+0/- .018 +0/- .0007	25 .9	.60 .024	13.0 .51	40 1.6	500 19.7	N/A	N/A	N/A	9,500 2,136	14,600 3,282
KRV 30 B	KRV 30 PPB		Cylindrical														
KRV 30 X	KRV 30 PPX																
KRV 30 BX	KRV 30 PPBX																
KRVE 30	KRVE 30 PP	30.000 1.1811	+0/- .050 +0/- .002	14.000 .5512	+0/- .12 +0/- .005	12.000 .4724	+0/- .018 +0/- .0007	25 .9	.60 .024	13.0 .51	40 1.6	500 19.7	0.5 .02	11 0.43	15 .59	9,500 2,136	14,600 3,282
KRVE 30 B	KRVE 30 PPB		Cylindrical														
KRVE 30 PPX	KRVE 30 PPX																
KRVE 30 PPBX	KRVE 30 PPBX																
KR 30	KR 30 PP	30.000 1.1811	+0/- .050 +0/- .002	14.000 .5512	+0/- .12 +0/- .005	12.000 .4724	+0/- .018 +0/- .0007	25 .9	.60 .024	13.0 .51	40 1.6	500 19.7	N/A	N/A	N/A	6,800 1,529	8,400 1,888
KR 30 B	KR 30 PPB		Cylindrical														
KR 30 X	KR 30 PPX																
KR 30 BX	KR 30 PPBX																

Metric Stud Type Track Roller Bearings



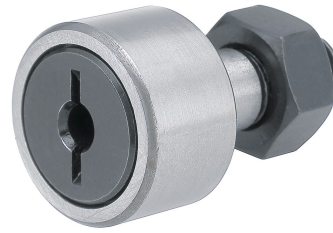
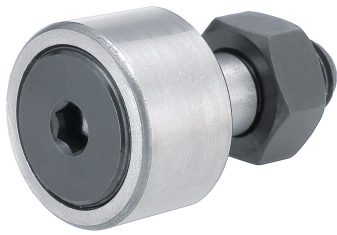
B ₂	M ₁	M	SW	d ₁	r	HBD		G	M _A	nDG	Mass	Designation	
Distance lub. hole to washer face	Diameter of lub. hole (shank)	Seat dia. for lub. accessories	Width of flats	Thrust washer outside diameter	Min. Fillet radius	Housing Bore Diameter		Thread Type	Max. tightening torque	Limiting Speed (Grease)	Bearing Weight	W/O Seals	With Seals
mm / inch													
(Ref)	(Ref)	(Ref)	(Ref)	(Ref)	(Ref)	Nom.	Tol.		Nm in-lb	RPM	kg lb		
-	-	4 .16	N/A	19 .7	.3 .012	10.000 .3937	+.015/-0 +.0006/- 0	M10x1.25	22 195	2,600	.05 .11	MCF 26A	MCF 26A S
		-	5 .2									MCF 26A B	MCF 26A SB
		4 .16	N/A									MCF 26A X	MCF 26A SX
		-	5 .2									MCF 26A BX	MCF 26A SBX
-	-	4 .16	N/A	19 .7	.3 .012	13.050 .5138	+0.025/-0 +0.0009/- 0	M10x1.25	22 195	2,600	.05 .11	MCFE 26A	MCFE 26A S
		-	5 .2									MCFE 26A SB	MCFE 26A SX
		4 .16	N/A									MCFE 26A X	MCFE 26A SBX
		-	5 .2									MCFE 26A BX	MCFE 26A SBX
-	-	4 .16	N/A	19 .7	.3 .012	10.000 .3937	+.015/-0 +.0006/- 0	M10x1.25	22 195	8,000	.05 .11	MCFR 26A	MCFR 26A S
		-	5 .2									MCFR 26A B	MCFR 26A SB
		4 .16	N/A									MCFR 26A X	MCFR 26A SX
		-	5 .2									MCFR 26A BX	MCFR 26A SBX
-	-	4 .16	N/A	19 .7	.3 .012	13.050 .5138	+0.025/-0 +0.0009/- 0	M10x1.25	22 195	8,000	.05 .11	MCFRE 26A	MCFRE 26A S
		-	5 .2									MCFRE 26A SB	MCFRE 26A SX
		4 .16	N/A									MCFRE 26A X	MCFRE 26A SBX
		-	5 .2									MCFRE 26A BX	MCFRE 26A SBX
6 .236	3 .118	6 .24	N/A	23	.6 .236	12.000 .4724	+.018/-0 +.0007/- 0	M12x1.5	22 195	2,100	.09 .20	MCF 30	MCF 30 S
		-	6 .24									MCF 30 B	MCF 30 SB
		6 .24	N/A									MCF 30 X	MCF 30 SX
		-	6 .24									MCF 30 BX	MCF 30 SBX
6 .236	3 .118	6 .24	N/A	23	.6 .236	15.050 .5925	+0.025/-0 +0.0009/- 0	M12x1.5	22 195	2,100	.09 .20	MCFE 30	MCFE 30 S
		-	6 .24									MCFE 30 SB	MCFE 30 SX
		6 .24	N/A									MCFE 30 X	MCFE 30 SBX
		-	6 .24									MCFE 30 BX	MCFE 30 SBX
6 .236	3 .118	6 .24	N/A	23	.6 .236	12.000 .4724	+.018/-0 +.0007/- 0	M12x1.5	22 195	5,500	.09 .20	MCFR 30	MCFR 30 S
		-	6 .24									MCFR 30 B	MCFR 30 SB
		6 .24	N/A									MCFR 30 X	MCFR 30 SX
		-	6 .24									MCFR 30 BX	MCFR 30 SBX

Metric Cam Followers



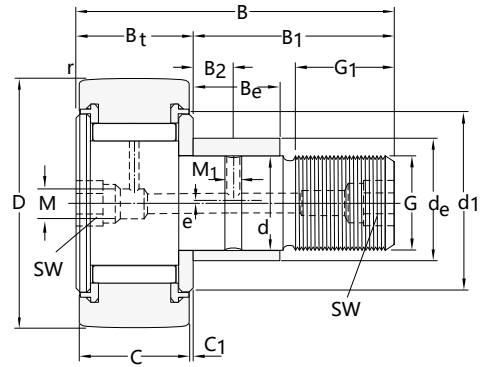
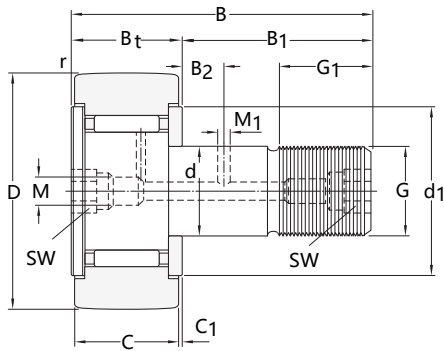
Designation		D		C		d		B _t	C ₁	G ₁	B	R	e	Be	de	Fr	For
W/O Seals	With Seals	Outside Diameter		Outer Ring Width		Stud Diameter		Stud Length	Dist. outer ring face to washer face	Min. Thread Length	Total Length	Cylindrical Suffix X	Ecc	Locking collar width	Locking collar OD	Max. dynamic radial loads	Max. static radial loads
		mm / inch															
		Nom.	Tol.	Nom.	Tol.	Nom.	Tol.	(Ref)	(Ref)	(Ref)	(Ref)	Radius	(Ref)	+0/- .15 +.002/- .006	(Ref)	(Ref)	N/lb
KRE 30	KRE 30 PP	30.000 1.1811	+0/- .050 +0/- .002	14.000 .5512	+0/- .12 +0/- .005	12.000 .4724	+0/- .018 +0/- .0007	25 .9	.60 .024	13.0 .51	40 1.6	500 19.7	0.5 .02	11 0.43	15 .59	6,800 1,529	8,400 1,888
	KRE 30 PPB		Cylindrical														
	KRE 30 PPX																
	KRE 30 PPBX																
KRV 32	KRV 32 PP	32.000 1.2598	+0/- .050 +0/- .002	14.000 .5512	+0/- .12 +0/- .005	12.000 .4724	+0/- .018 +0/- .0007	25 .9	.60 .024	13.0 .51	40 1.6	500 19.7	N/A	N/A	N/A	10,000 2,248	15,800 3,552
	KRV 32 B		Cylindrical														
	KRV 32 X																
	KRV 32 BX																
KRVE 32	KRVE 32 PP	32.000 1.2598	+0/- .050 +0/- .002	14.000 .5512	+0/- .12 +0/- .005	12.000 .4724	+0/- .018 +0/- .0007	25 .9	.60 .024	13.0 .51	40 1.6	500 19.7	0.5 .02	11 0.43	15 .59	7,100 1,596	9,000 2,023
	KRVE 32 PPB		Cylindrical														
	KRVE 32 PPX																
	KRVE 32 PPBX																
KR 32	KR 32 PP	32.000 1.2598	+0/- .050 +0/- .002	14.000 .5512	+0/- .12 +0/- .005	12.000 .4724	+0/- .018 +0/- .0007	25 .9	.60 .024	13.0 .51	40 1.6	500 19.7	N/A	N/A	N/A	12,800 2,878	23,000 5,171
	KR 32 B		Cylindrical														
	KR 32 X																
	KR 32 BX																
KRE 32	KRE 32 PP	32.000 1.2598	+0/- .050 +0/- .002	14.000 .5512	+0/- .12 +0/- .005	12.000 .4724	+0/- .018 +0/- .0007	25 .9	.60 .024	13.0 .51	40 1.6	500 19.7	0.5 .02	11 0.43	15 .59	12,800 2,878	23,000 5,171
	KRE 32 PPB		Cylindrical														
	KRE 32 PPX																
	KRE 32 PPBX																
KRV 35	KRV 35 PP	35.000 1.3780	+0/- .050 +0/- .002	18.000 .7087	+0/- .12 +0/- .005	16.000 .6299	+0/- .018 +0/- .0007	32.5 1.28	.80 .031	17.0 .67	52 2.047	500 19.7	N/A	N/A	N/A	12,800 2,878	23,000 5,171
	KRV 35 B		Cylindrical														
	KRV 35 X																
	KRV 35 BX																
KRVE 35	KRVE 35 PP	35.000 1.3780	+0/- .050 +0/- .002	18.000 .7087	+0/- .12 +0/- .005	16.000 .6299	+0/- .018 +0/- .0007	32.5 1.28	.80 .031	17.0 .67	52 2.047	500 19.7	1 .04	14 0.55	20 .79	12,800 2,878	23,000 5,171
	KRVE 35 PPB		Cylindrical														
	KRVE 35 PPX																
	KRVE 35 PPBX																

Metric Stud Type Track Roller Bearings



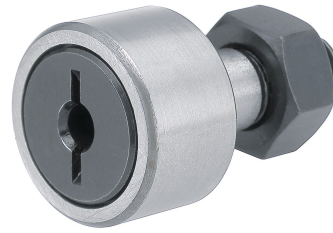
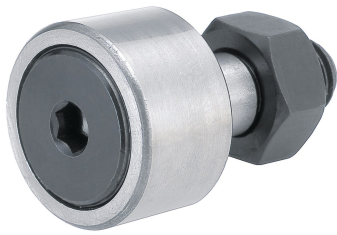
B ₂	M ₁	M	SW	d ₁	r	HBD		G	M _A	nDG	Mass	Designation	
Distance lub. hole to washer face	Diameter of lub. hole (shank)	Seat dia. for lub. accessories	Width of flats	Thrust washer outside diameter	Min. Fillet radius	Housing Bore Diameter		Thread Type	Max. tightening torque	Limiting Speed (Grease)	Bearing Weight	W/O Seals	With Seals
mm / inch													
(Ref)	(Ref)	(Ref)	(Ref)	(Ref)	(Ref)	Nom.	Tol.		Nm in-lb	RPM	kg lb		
6 .236	3 .118	6 .24	N/A	23	.6 .236	15.050 .5925	+0.025/-0 +0.0009/- 0	M12x1.5	22 195	5,500	.09 .20	MCFRE 30	MCFRE 30 S
		-	6 .24										MCFRE 30 SB
		6 .24	N/A										MCFRE 30 SX
		-	6 .24										MCFRE 30 SBX
6 .236	3 .118	6 .24	N/A	23	.6 .236	12.000 .4724	+0.018/-0 +0.0007/- 0	M12x1.5	58 504	2,100	.10 .22	MCF 32	MCF 32 S
		-	6 .24										MCF 32 SB
		6 .24	N/A										MCF 32 SX
		-	6 .24										MCF 32 SBX
6 .236	3 .118	6 .24	N/A	23	.6 .236	15.050 .5925	+0.025/-0 +0.0009/- 0	M12x1.5	58 504	2,100	.10 .22	MCFE 32	MCFE 32 S
		-	6 .24										MCFE 32 SB
		6 .24	N/A										MCFE 32 SX
		-	6 .24										MCFE 32 SBX
6 .236	3 .118	6 .24	N/A	23	.6 .236	12.000 .4724	+0.018/-0 +0.0007/- 0	M12x1.5	58 504	5,500	.10 .22	MCFR 32	MCFR 32 S
		-	6 .24										MCFR 32 SB
		6 .24	N/A										MCFR 32 SX
		-	6 .24										MCFR 32 SBX
6 .236	3 .118	6 .24	N/A	23	.6 .236	15.050 .5925	+0.025/-0 +0.0009/- 0	M12x1.5	58 504	5,500	.10 .22	MCFRE 32	MCFRE 32 S
		-	6 .24										MCFRE 32 SB
		6 .24	N/A										MCFRE 32 SX
		-	6 .24										MCFRE 32 SBX
8 .315	3 .118	6 .24	N/A	27.6	.6 .236	16.000 .6299	+0.018/-0 +0.0007/- 0	M16x1.5	87 752	1,600	.16 .35	MCF 35	MCF 35 S
		-	8 .31										MCF 35 SB
		6 .24	N/A										MCF 35 SX
		-	8 .31										MCF 35 SBX
8 .315	3 .118	6 .24	N/A	27.6	.6 .236	20.050 .7894	+0.025/-0 +0.0009/- 0	M16x1.5	87 752	1,600	.16 .35	MCFE 35	MCFE 35 S
		-	8 .31										MCFE 35 SB
		6 .24	N/A										MCFE 35 SX
		-	8 .31										MCFE 35 SBX

Metric Cam Followers



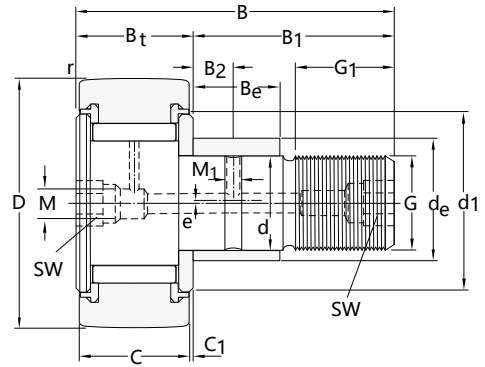
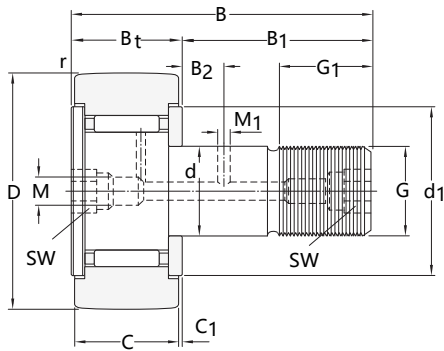
Designation		D		C		d		B _t	C ₁	G ₁	B	R	e	Be	de	Fr	For
W/O Seals	With Seals	Outside Diameter		Outer Ring Width		Stud Diameter		Stud Length	Dist. outer ring face to washer face	Min. Thread Length	Total Length	Cylindrical Suffix X	Ecc	Locking collar width	Locking collar OD	Max. dynamic radial loads	Max. static radial loads
		mm / inch															
		Nom.	Tol.	Nom.	Tol.	Nom.	Tol.	(Ref)	(Ref)	(Ref)	(Ref)	Radius	(Ref)	^{+05/-15} _{+0.02/-0.06}	(Ref)	N/lb	N/lb
KR 35	KR 35 PP	35.000 1.3780	+0/- .050 +0/- .002	18.000 .7087	+0/- .12 +0/- .005	16.000 .6299	+0/- .018 +0/- .0007	32.5 1.28	.80 .031	17.0 .67	52 2.047	500 19.7	N/A	N/A	N/A	9,700 2,181	14,100 3,170
KR 35 B	KR 35 PPB		+0/- .011 +0/- .0004									Cylindrical					
KR 35 X	KR 35 PPX																
KR 35 BX	KR 35 PPBX																
KRE 35	KRE 35 PP	35.000 1.3780	+0/- .050 +0/- .002	18.000 .7087	+0/- .12 +0/- .005	16.000 .6299	+0/- .018 +0/- .0007	32.5 1.28	.80 .031	17.0 .67	52 2.047	500 19.7	1 .04	14 0.55	20 .79	9,700 2,181	14,100 3,170
KRE 35 B	KRE 35 PPB		+0/- .011 +0/- .0004									Cylindrical					
KRE 35 PPX	KRE 35 PPX																
KRE 35 PPBX	KRE 35 PPBX																
KRV 40	KRV 40 PP	40.000 1.5748	+0/- .050 +0/- .002	20.000 .7874	+0/- .12 +0/- .005	18.000 .7087	+0/- .018 +0/- .0007	36.5 1.44	.80 .031	19.0 .75	58 2.3	500 19.7	N/A	N/A	N/A	14,800 4,631	26,500 5,957
KRV 40 B	KRV 40 PPB		+0/- .011 +0/- .0004									Cylindrical					
KRV 40 X	KRV 40 PPX																
KRV 40 BX	KRV 40 PPBX																
KRVE 40	KRVE 40 PP	40.000 1.5748	+0/- .050 +0/- .002	20.000 .7874	+0/- .12 +0/- .005	18.000 .7087	+0/- .018 +0/- .0007	36.5 1.44	.80 .031	19.0 .75	58 2.3	500 19.7	1 .04	16 0.63	22 .87	14,800 4,631	26,500 5,957
KRVE 40 B	KRVE 40 PPB		+0/- .011 +0/- .0004									Cylindrical					
KRVE 40 PPX	KRVE 40 PPX																
KRVE 40 PPBX	KRVE 40 PPBX																
KR 40	KR 40 PP	40.000 1.5748	+0/- .050 +0/- .002	20.000 .7874	+0/- .12 +0/- .005	18.000 .7087	+0/- .018 +0/- .0007	36.5 1.44	.80 .031	19.0 .75	58 2.3	500 19.7	N/A	N/A	N/A	10,900 2,450	15,500 3,485
KR 40 B	KR 40 PPB		+0/- .011 +0/- .0004									Cylindrical					
KR 40 X	KR 40 PPX																
KR 40 BX	KR 40 PPBX																
KRE 40	KRE 40 PP	40.000 1.5748	+0/- .050 +0/- .002	20.000 .7874	+0/- .12 +0/- .005	18.000 .7087	+0/- .018 +0/- .0007	36.5 1.44	.80 .031	19.0 .75	58 2.3	500 19.7	1 .04	16 0.63	22 .87	10,900 2,450	15,500 3,485
KRE 40 B	KRE 40 PPB		+0/- .011 +0/- .0004									Cylindrical					
KRE 40 PPX	KRE 40 PPX																
KRE 40 PPBX	KRE 40 PPBX																
KRV 40A	KRV 40A PP	40.000 1.5748	+0/- .050 +0/- .002	20.000 .7874	+0/- .12 +0/- .005	18.000 .7087	+0/- .018 +0/- .0007	37 1.4	.80 .031	20.0 .79	58 2.3	500 19.7	N/A	N/A	N/A	14,800 4,631	26,500 5,957
KRV 40A B	KRV 40A PPB		+0/- .011 +0/- .0004									Cylindrical					
KRV 40A X	KRV 40A PPX																
KRV 40A BX	KRV 40A PPBX																

Metric Stud Type Track Roller Bearings



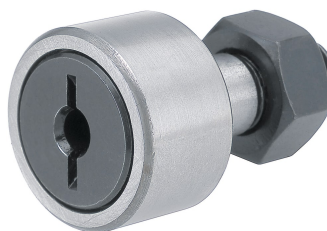
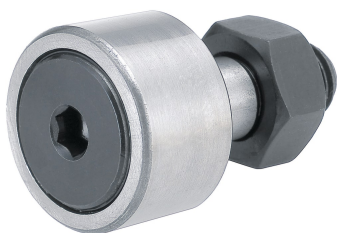
B ₂	M ₁	M	SW	d ₁	r	HBD		G	M _A	nDG	Mass	Designation	
Distance lub. hole to washer face	Diameter of lub. hole (shank)	Seat dia. for lub. accessories	Width of flats	Thrust washer outside diameter	Min. Fillet radius	Housing Bore Diameter		Thread Type	Max. tightening torque	Limiting Speed (Grease)	Bearing Weight	W/O Seals	With Seals
mm / inch													
(Ref)	(Ref)	(Ref)	(Ref)	(Ref)	(Ref)	Nom.	Tol.		Nm in-lb	RPM	kg lb		
8 .315	3 .118	6 .24	N/A	27.6	.6 .236	16.000 .6299	+0.018/-0 +0.0007/- 0	M16x1.5	87 752	3,600	.16 .35	MCFR 35	MCFR 35 S
		-	8 .31									MCFR 35 B	MCFR 35 SB
		6 .24	N/A									MCFR 35 X	MCFR 35 SX
		-	8 .31									MCFR 35 BX	MCFR 35 SBX
8 .315	3 .118	6 .24	N/A	27.6	.6 .236	20.050 .7894	+0.025/-0 +0.0009/- 0	M16x1.5	87 752	3,600	.16 .35	MCFRE 35	MCFRE 35 S
		-	8 .31									MCFRE 35 SB	MCFRE 35 SB
		6 .24	N/A									MCFRE 35 SX	MCFRE 35 SX
		-	8 .31									MCFRE 35 SBX	MCFRE 35 SBX
8 .315	3 .118	6 .24	N/A	31.5	1.0 0.039	18.000 .7087	+0.018/-0 +0.0007/- 0	M18x1.5	87 752	1,400	.25 .55	MCF 40	MCF 40 S
		-	8 .31									MCF 40 B	MCF 40 SB
		6 .24	N/A									MCF 40 X	MCF 40 SX
		-	8 .31									MCF 40 BX	MCF 40 SBX
8 .315	3 .118	6 .24	N/A	31.5	1.0 0.039	22.050 .8681	+0.025/-0 +0.0009/- 0	M18x1.5	87 752	1,400	.25 .55	MCFE 40	MCFE 40 S
		-	8 .31									MCFE 40 SB	MCFE 40 SB
		6 .24	N/A									MCFE 40 SX	MCFE 40 SX
		-	8 .31									MCFE 40 SBX	MCFE 40 SBX
8 .315	3 .118	6 .24	N/A	31.5	1.0 0.039	18.000 .7087	+0.018/-0 +0.0007/- 0	M18x1.5	87 752	2,900	.25 .55	MCFR 40	MCFR 40 S
		-	8 .31									MCFR 40 B	MCFR 40 SB
		6 .24	N/A									MCFR 40 X	MCFR 40 SX
		-	8 .31									MCFR 40 BX	MCFR 40 SBX
8 .315	3 .118	6 .24	N/A	31.5	1.0 0.039	22.050 .8681	+0.025/-0 +0.0009/- 0	M18x1.5	87 752	2,900	.25 .55	MCFRE 40	MCFRE 40 S
		-	8 .31									MCFRE 40 SB	MCFRE 40 SB
		6 .24	N/A									MCFRE 40 SX	MCFRE 40 SX
		-	8 .31									MCFRE 40 SBX	MCFRE 40 SBX
10 .394	3 .118	6 .24	N/A	27 1.1	1.0 0.039	18.000 .7087	+0.018/-0 +0.0007/- 0	M18x1.5	118 1,044	1,400	.25 .55	MCF 40A	MCF 40A S
		-	8 .31									MCF 40A B	MCF 40A SB
		6 .24	N/A									MCF 40A X	MCF 40A SX
		-	8 .31									MCF 40A BX	MCF 40A SBX

Metric Cam Followers



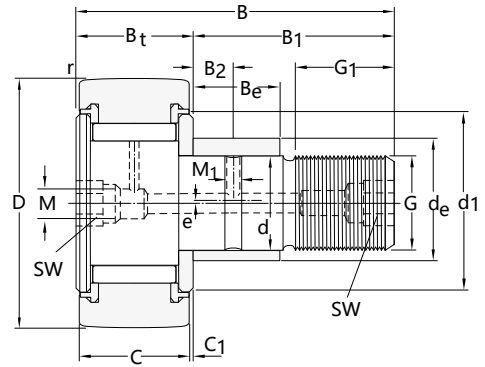
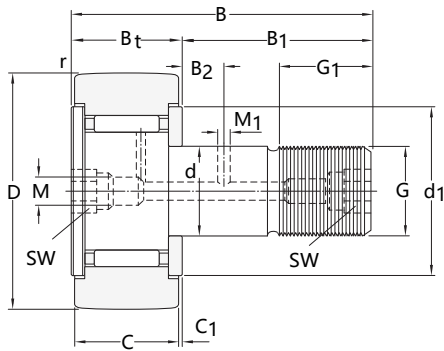
Designation		D	C		d		B _t	C ₁	G ₁	B	R	e	Be	de	Fr	For	
W/O Seals	With Seals	Outside Diameter		Outer Ring Width		Stud Diameter		Stud Length	Dist. outer ring face to washer face	Min. Thread Length	Total Length	Cylindrical Suffix X	Ecc	Locking collar width	Locking collar OD	Max. dynamic radial loads	Max. static radial loads
		mm / inch															
		Nom.	Tol.	Nom.	Tol.	Nom.	Tol.	(Ref)	(Ref)	(Ref)	(Ref)	Radius	(Ref)	+0/- .15 +.002/- .006	(Ref)	(Ref)	N/lb
KRVE 40A	KRVE 40A PP	40.000 1.5748	+0/- .050 +0/- .002	20.000 .7874	+0/- .12 +0/- .005	18.000 .7087	+0/- .018 +0/- .0007	37 1.4	.80 .031	20.0 .79	58 2.3	500 19.7	1 .04	16 0.63	22 .87	14,800 4,631	26,500 5,957
	KRVE 40A PPB		Cylindrical														
	KRVE 40A PPX																
	KRVE 40A PPBX																
KR 40A	KR 40A PP	40.000 1.5748	+0/- .050 +0/- .002	20.000 .7874	+0/- .12 +0/- .005	18.000 .7087	+0/- .018 +0/- .0007	37 1.4	.80 .031	20.0 .79	58 2.3	500 19.7	N/A	N/A	N/A	10,900 2,450	15,500 3,485
	KR 40A B		Cylindrical														
	KR 40A X																
	KR 40A BX																
KRE 40A	KRE 40A PP	40.000 1.5748	+0/- .050 +0/- .002	20.000 .7874	+0/- .12 +0/- .005	18.000 .7087	+0/- .018 +0/- .0007	37 1.4	.80 .031	20.0 .79	58 2.3	500 19.7	1 .04	16 0.63	22 .87	14,800 4,631	26,500 5,957
	KRE 40A PPB		Cylindrical														
	KRE 40A PPX																
	KRE 40A PPBX																
KRV 47	KRV 47 PP	47.000 1.8504	+0/- .050 +0/- .002	24.000 .9449	+0/- .12 +0/- .005	20.000 .7874	+0/- .021 +0/- .0008	40.5 1.6	.80 .031	21.0 .83	66 2.6	500 19.7	N/A	N/A	N/A	20,600 4,631	42,000 9,442
	KRV 47 B		Cylindrical														
	KRV 47 X																
	KRV 47 BX																
KRVE 47	KRVE 47 PP	47.000 1.8504	+0/- .050 +0/- .002	24.000 .9449	+0/- .12 +0/- .005	20.000 .7874	+0/- .021 +0/- .0008	40.5 1.6	.80 .031	21.0 .83	66 2.6	500 19.7	1 .04	18 0.71	24 .94	14,800 4,631	26,500 5,957
	KRVE 47 PPB		Cylindrical														
	KRVE 47 PPX																
	KRVE 47 PPBX																
KR 47	KR 47 PP	47.000 1.8504	+0/- .050 +0/- .002	24.000 .9449	+0/- .12 +0/- .005	20.000 .7874	+0/- .021 +0/- .0008	40.5 1.6	.80 .031	21.0 .83	66 2.6	500 19.7	N/A	N/A	N/A	15,500 3,485	25,500 5,733
	KR 47 B		Cylindrical														
	KR 47 X																
	KR 47 BX																
KRE 47	KRE 47 PP	47.000 1.8504	+0/- .050 +0/- .002	24.000 .9449	+0/- .12 +0/- .005	20.000 .7874	+0/- .021 +0/- .0008	40.5 1.6	.80 .031	21.0 .83	66 2.6	500 19.7	1 .04	18 0.71	24 .94	14,800 4,631	26,500 5,957
	KRE 47 PPB		Cylindrical														
	KRE 47 PPX																
	KRE 47 PPBX																

Metric Stud Type Track Roller Bearings



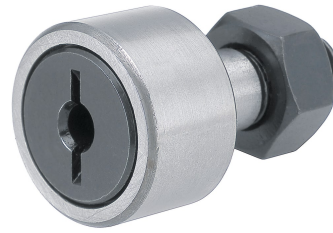
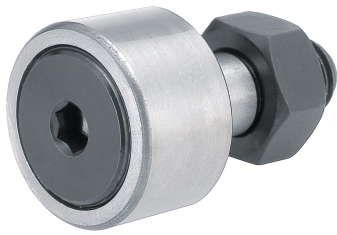
B ₂	M ₁	M	SW	d ₁	r	HBD		G	M _A	nDG	Mass	Designation	
Distance lub. hole to washer face	Diameter of lub. hole (shank)	Seat dia. for lub. accessories	Width of flats	Thrust washer outside diameter	Min. Fillet radius	Housing Bore Diameter		Thread Type	Max. tightening torque	Limiting Speed (Grease)	Bearing Weight	W/O Seals	With Seals
mm / inch													
(Ref)	(Ref)	(Ref)	(Ref)	(Ref)	(Ref)	Nom.	Tol.		Nm in-lb	RPM	kg lb		
10 .394	3 .118	6 .24	N/A	27 1.1	1.0 0.039	22.050 .8681	+0.025/-0 +0.0009/- 0	M18x1.5	118 1,044	1,400	.25 .55	MCFE 40A	MCFE 40A S
		-	8 .31										MCFE 40A SB
		6 .24	N/A										MCFE 40A SX
		-	8 .31										MCFE 40A SBX
10 .394	3 .118	6 .24	N/A	27 1.1	1.0 0.039	18.000 .7087	+0.018/-0 +0.0007/- 0	M18x1.5	118 1,044	2,900	.25 .55	MCFR 40A	MCFR 40A S
		-	8 .31										MCFR 40A SB
		6 .24	N/A										MCFR 40A SX
		-	8 .31										MCFR 40A SBX
10 .394	3 .118	6 .24	N/A	27 1.1	1.0 0.039	22.050 .8681	+0.025/-0 +0.0009/- 0	M18x1.5	118 1,044	2,900	.25 .55	MCFRE 40A	MCFRE 40A S
		-	8 .31										MCFRE 40A SB
		6 .24	N/A										MCFRE 40A SX
		-	8 .31										MCFRE 40A SBX
9 .354	4 .157	8 .31	N/A	36.5	1.0 0.039	20.000 .7874	+0.021/-0 +0.0008/- 0	M20x1.5	120 1,044	1,300	.39 .86	MCF 47	MCF 47 S
		-	10 .39										MCF 47 SB
		8 .31	N/A										MCF 47 SX
		-	10 .39										MCF 47 SBX
9 .354	4 .157	8 .31	N/A	36.5	1.0 0.039	24.050 .9469	+0.025/-0 +0.0009/- 0	M20x1.5	120 1,044	1,300	.39 .86	MCFE 47	MCFE 47 S
		-	10 .39										MCFE 47 SB
		8 .31	N/A										MCFE 47 SX
		-	10 .39										MCFE 47 SBX
9 .354	4 .157	8 .31	N/A	36.5	1.0 0.039	20.000 .7874	+0.021/-0 +0.0008/- 0	M20x1.5	120 1,044	2,400	.39 .86	MCFR 47	MCFR 47 S
		-	10 .39										MCFR 47 SB
		8 .31	N/A										MCFR 47 SX
		-	10 .39										MCFR 47 SBX
9 .354	4 .157	8 .31	N/A	36.5	1.0 0.039	24.050 .9469	+0.025/-0 +0.0009/- 0	M20x1.5	120 1,044	2,400	.39 .86	MCFRE 47	MCFRE 47 S
		-	10 .39										MCFRE 47 SB
		8 .31	N/A										MCFRE 47 SX
		-	10 .39										MCFRE 47 SBX

Metric Cam Followers



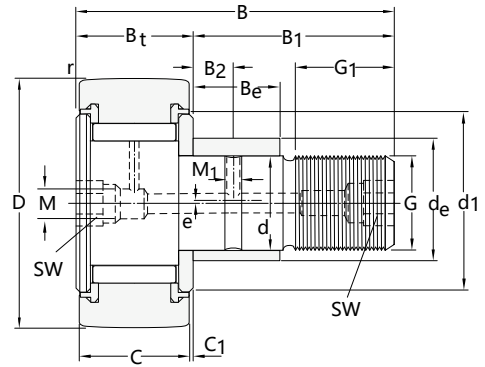
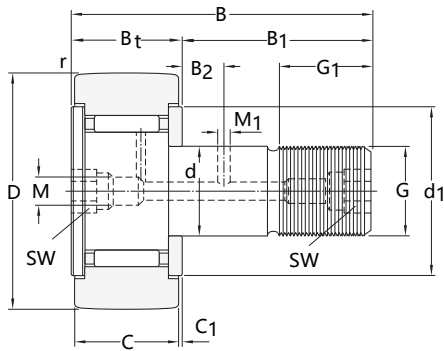
Designation		D		C		d		B _t	C ₁	G ₁	B	R	e	Be	de	Fr	For
W/O Seals	With Seals	Outside Diameter		Outer Ring Width		Stud Diameter		Stud Length	Dist. outer ring face to washer face	Min. Thread Length	Total Length	Cylindrical Suffix X	Ecc	Locking collar width	Locking collar OD	Max. dynamic radial loads	Max. static radial loads
		mm / inch															
		Nom.	Tol.	Nom.	Tol.	Nom.	Tol.	(Ref)	(Ref)	(Ref)	(Ref)	Radius	(Ref)	+0/-0.15 +0.002/-0.006	(Ref)	N/lb	N/lb
KRV 47A	KRV 47A PP	47.000 1.8504	+0/-0.050 +0/-0.002	24.000 .9449	+0/-0.12 +0/-0.005	20.000 .7874	+0/-0.021 +0/-0.0008	41 1.6	.80 .031	22.0 .87	66 2.6	500 19.7	N/A	N/A	N/A	20,600 4,631	42,000 9,442
KRV 47A B	KRV 47A PPB		Cylindrical														
KRV 47A X	KRV 47A PPX																
KRV 47A BX	KRV 47A PPBX																
KRVE 47A	KRVE 47A PP	47.000 1.8504	+0/-0.050 +0/-0.002	24.000 .9449	+0/-0.12 +0/-0.005	20.000 .7874	+0/-0.021 +0/-0.0008	41 1.6	.80 .031	22.0 .87	66 2.6	500 19.7	1 .04	18 0.71	24 .94	15,500 3,485	25,500 5,733
KRVE 47A B	KRVE 47A PPB		Cylindrical														
KRVE 47A X	KRVE 47A PPX																
KRVE 47A BX	KRVE 47A PPBX																
KR 47A	KR 47A PP	47.000 1.8504	+0/-0.050 +0/-0.002	24.000 .9449	+0/-0.12 +0/-0.005	20.000 .7874	+0/-0.021 +0/-0.0008	41 1.6	.80 .031	22.0 .87	66 2.6	500 19.7	N/A	N/A	N/A	15,500 3,485	25,500 5,733
KR 47A B	KR 47A PPB		Cylindrical														
KR 47A X	KR 47A PPX																
KR 47A BX	KR 47A PPBX																
KRE 47A	KRE 47A PP	47.000 1.8504	+0/-0.050 +0/-0.002	24.000 .9449	+0/-0.12 +0/-0.005	20.000 .7874	+0/-0.021 +0/-0.0008	41 1.6	.80 .031	22.0 .87	66 2.6	500 19.7	1 .04	18 0.71	24 .94	15,500 3,485	25,500 5,733
KRE 47A B	KRE 47A PPB		Cylindrical														
KRE 47A X	KRE 47A PPX																
KRE 47A BX	KRE 47A PPBX																
KRV 52	KRV 52 PP	52.000 2.0472	+0/-0.050 +0/-0.002	24.000 .9449	+0/-0.12 +0/-0.005	20.000 .7874	+0/-0.021 +0/-0.0008	40.5 1.6	.80 .031	21.0 .83	66 2.6	500 19.7	N/A	N/A	N/A	22,500 5,058	48,000 10,791
KRV 52 B	KRV 52 PPB		Cylindrical														
KRV 52 X	KRV 52 PPX																
KRV 52 BX	KRV 52 PPBX																
KRVE 52	KRVE 52 PP	52.000 2.0472	+0/-0.050 +0/-0.002	24.000 .9449	+0/-0.12 +0/-0.005	20.000 .7874	+0/-0.021 +0/-0.0008	40.5 1.6	.80 .031	21.0 .83	66 2.6	500 19.7	1 .04	18 0.71	24 .94	22,500 5,058	48,000 10,791
KRVE 52 B	KRVE 52 PPB		Cylindrical														
KRVE 52 X	KRVE 52 PPX																
KRVE 52 BX	KRVE 52 PPBX																
KR 52	KR 52 PP	52.000 2.0472	+0/-0.050 +0/-0.002	24.000 .9449	+0/-0.12 +0/-0.005	20.000 .7874	+0/-0.021 +0/-0.0008	40.5 1.6	.80 .031	21.0 .83	66 2.6	500 19.7	N/A	N/A	N/A	16,800 3,777	28,500 6,407
KR 52 B	KR 52 PPB		Cylindrical														
KR 52 X	KR 52 PPX																
KR 52 BX	KR 52 PPBX																

Metric Stud Type Track Roller Bearings



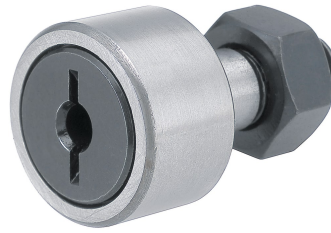
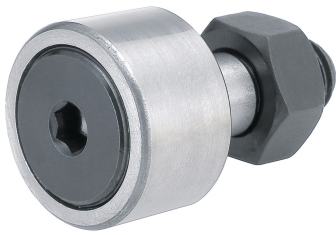
B ₂	M ₁	M	SW	d ₁	r	HBD		G	M _A	nDG	Mass	Designation	
Distance lub. hole to washer face	Diameter of lub. hole (shank)	Seat dia. for lub. accessories	Width of flats	Thrust washer outside diameter	Min. Fillet radius	Housing Bore Diameter		Thread Type	Max. tightening torque	Limiting Speed (Grease)	Bearing Weight	W/O Seals	With Seals
mm / inch													
(Ref)	(Ref)	(Ref)	(Ref)	(Ref)	(Ref)	Nom.	Tol.		Nm in-lb	RPM	kg lb		
12 .472	4 .157	8 .31	N/A	30 1.2	1.0 0.039	20.000 .7874	+0.021/-0 +0.0008/- 0	M20x1.5	118 1,044	1,300	.39 .86	MCF 47A	MCF 47A S
		-	10 .39									MCF 47A B	MCF 47A SB
		8 .31	N/A									MCF 47A X	MCF 47A SX
		-	10 .39									MCF 47A BX	MCF 47A SBX
12 .472	4 .157	8 .31	N/A	30 1.2	1.0 0.039	24.050 .9469	+0.025/-0 +0.0009/- 0	M20x1.5	118 1,044	1,300	.39 .86	MCFE 47A	MCFE 47A S
		-	10 .39									MCFE 47A SB	MCFE 47A SX
		8 .31	N/A									MCFE 47A SX	MCFE 47A SBX
		-	10 .39									MCFE 47A SBX	MCFE 47A SBX
12 .472	4 .157	8 .31	N/A	30 1.2	1.0 0.039	20.000 .7874	+0.021/-0 +0.0008/- 0	M20x1.5	118 1,044	2,400	.39 .86	MCFR 47A	MCFR 47A S
		-	10 .39									MCFR 47A B	MCFR 47A SB
		8 .31	N/A									MCFR 47A X	MCFR 47A SX
		-	10 .39									MCFR 47A BX	MCFR 47A SBX
12 .472	4 .157	8 .31	N/A	30 1.2	1.0 0.039	24.050 .9469	+0.025/-0 +0.0009/- 0	M20x1.5	118 1,044	2,400	.39 .86	MCFRE 47A	MCFRE 47A S
		-	10 .39									MCFRE 47A SB	MCFRE 47A SX
		8 .31	N/A									MCFRE 47A SX	MCFRE 47A SBX
		-	10 .39									MCFRE 47A SBX	MCFRE 47A SBX
9 .354	4 .157	8 .31	N/A	36.5	1.0 0.039	20.000 .7874	+0.021/-0 +0.0008/- 0	M20x1.5	120 1,044	1,300	.45 .99	MCF 52	MCF 52 S
		-	10 .39									MCF 52 B	MCF 52 SB
		8 .31	N/A									MCF 52 X	MCF 52 SX
		-	10 .39									MCF 52 BX	MCF 52 SBX
9 .354	4 .157	8 .31	N/A	36.5	1.0 0.039	24.050 .9469	+0.025/-0 +0.0009/- 0	M20x1.5	120 1,044	1,300	.45 .99	MCFE 52	MCFE 52 S
		-	10 .39									MCFE 52 SB	MCFE 52 SX
		8 .31	N/A									MCFE 52 SX	MCFE 52 SBX
		-	10 .39									MCFE 52 SBX	MCFE 52 SBX
9 .354	4 .157	8 .31	N/A	36.5	1.0 0.039	20.000 .7874	+0.021/-0 +0.0008/- 0	M20x1.5	120 1,044	2,400	.45 .99	MCFR 52	MCFR 52 S
		-	10 .39									MCFR 52 B	MCFR 52 SB
		8 .31	N/A									MCFR 52 X	MCFR 52 SX
		-	10 .39									MCFR 52 BX	MCFR 52 SBX

Metric Cam Followers



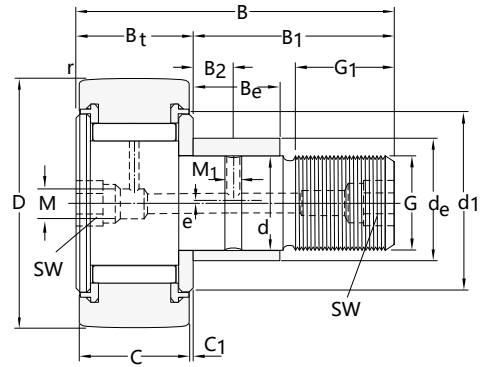
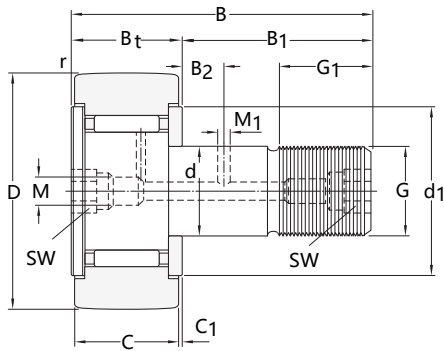
Designation		D		C		d		B _t	C ₁	G ₁	B	R	e	Be	de	Fr	For
W/O Seals	With Seals	Outside Diameter		Outer Ring Width		Stud Diameter		Stud Length	Dist. outer ring face to washer face	Min. Thread Length	Total Length	Cylindrical Suffix X	Ecc	Locking collar width	Locking collar OD	Max. dynamic radial loads	Max. static radial loads
		mm / inch															
		Nom.	Tol.	Nom.	Tol.	Nom.	Tol.	(Ref)	(Ref)	(Ref)	(Ref)	Radius	(Ref)	^{+05/-15} _{+0.002/-0.006}	(Ref)	(Ref)	N/lb
KRE 52	KRE 52 PP	52.000 2.0472	+0/- .050 +0/- .002	24.000 .9449	+0/- .12 +0/- .005	20.000 .7874	+0/- .021 +0/- .0008	40.5 1.6	.80 .031	21.0 .83	66 2.6	500 19.7	1 .04	18 0.71	24 .94	16,800 3,777	28,500 6,407
	KRE 52 PPB		Cylindrical														
	KRE 52 PPX																
	KRE 52 PPBX																
KRV 52A	KRV 52A PP	52.000 2.0472	+0/- .050 +0/- .002	24.000 .9449	+0/- .12 +0/- .005	20.000 .7874	+0/- .021 +0/- .0008	41 1.6	.80 .031	22.0 .87	66 2.6	500 19.7	N/A	N/A	N/A	22,500 5,058	48,000 10,791
	KRV 52A B		Cylindrical														
	KRV 52A X																
	KRV 52A BX																
KRVE 52A	KRVE 52A PP	52.000 2.0472	+0/- .050 +0/- .002	24.000 .9449	+0/- .12 +0/- .005	20.000 .7874	+0/- .021 +0/- .0008	41 1.6	.80 .031	22.0 .87	66 2.6	500 19.7	1 .04	18 0.71	24 .94	16,800 3,777	28,500 6,407
	KRVE 52A PPB		Cylindrical														
	KRVE 52A PPX																
	KRVE 52A PPBX																
KR 52A	KR 52A PP	52.000 2.0472	+0/- .050 +0/- .002	24.000 .9449	+0/- .12 +0/- .005	20.000 .7874	+0/- .021 +0/- .0008	41 1.6	.80 .031	22.0 .87	66 2.6	500 19.7	N/A	N/A	N/A	16,800 3,777	28,500 6,407
	KR 52A B		Cylindrical														
	KR 52A X																
	KR 52A BX																
KRE 52A	KRE 52A PP	52.000 2.0472	+0/- .050 +0/- .002	24.000 .9449	+0/- .12 +0/- .005	20.000 .7874	+0/- .021 +0/- .0008	41 1.6	.80 .031	22.0 .87	66 2.6	500 19.7	1 .04	18 0.71	24 .94	16,800 3,777	28,500 6,407
	KRE 52A PPB		Cylindrical														
	KRE 52A PPX																
	KRE 52A PPBX																
KRV 62	KRV 62 PP	62.000 2.4409	+0/- .050 +0/- .002	29.000 1.1417	+0/- .12 +0/- .005	24.000 .9449	+0/- .021 +0/- .0008	49.5 1.9	.80 .031	25.0 .98	80 3.1	500 19.7	N/A	N/A	N/A	38,840 8,732	65,400 14,703
	KRV 62 B		Cylindrical														
	KRV 62 X																
	KRV 62 BX																
KRVE 62	KRVE 62 PP	62.000 2.4409	+0/- .050 +0/- .002	29.000 1.1417	+0/- .12 +0/- .005	24.000 .9449	+0/- .021 +0/- .0008	49.5 1.9	.80 .031	25.0 .98	80 3.1	500 19.7	1 .04	22 0.87	28 .10	38,840 8,732	65,400 14,703
	KRVE 62 PPB		Cylindrical														
	KRVE 62 PPX																
	KRVE 62 PPBX																

Metric Stud Type Track Roller Bearings



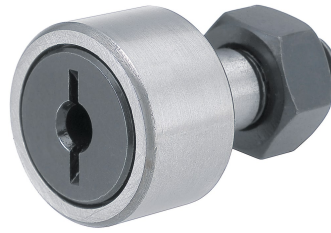
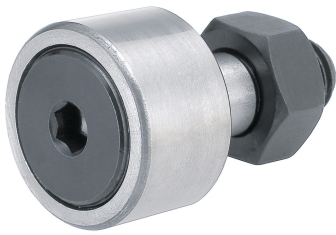
B ₂	M ₁	M	SW	d ₁	r	HBD		G	M _A	nDG	Mass	Designation	
Distance lub. hole to washer face	Diameter of lub. hole (shank)	Seat dia. for lub. accessories	Width of flats	Thrust washer outside diameter	Min. Fillet radius	Housing Bore Diameter		Thread Type	Max. tightening torque	Limiting Speed (Grease)	Bearing Weight	W/O Seals	With Seals
mm / inch													
(Ref)	(Ref)	(Ref)	(Ref)	(Ref)	(Ref)	Nom.	Tol.		Nm in-lb	RPM	kg lb		
9 .354	4 .157	8 .31	N/A	36.5	1.0 0.039	24.050 .9469	+0.025/-0 +0.0009/- 0	M20x1.5	120 1,044	2,400	.45 .99	MCFRE 52	MCFRE 52 S
		-	10 .39										MCFRE 52 SB
		8 .31	N/A										MCFRE 52 SX
		-	10 .39										MCFRE 52 SBX
12 .472	4 .157	8 .31	N/A	36 1.4	1.0 0.039	20.000 .7874	+0.021/-0 +0.0008/- 0	M20x1.5	220 1,912	1,300	.45 .99	MCF 52A	MCF 52A S
		-	10 .39										MCF 52A SB
		8 .31	N/A										MCF 52A SX
		-	10 .39										MCF 52A SBX
12 .472	4 .157	8 .31	N/A	36 1.4	1.0 0.039	24.050 .9469	+0.025/-0 +0.0009/- 0	M20x1.5	220 1,912	1,300	.45 .99	MCFE 52A	MCFE 52A S
		-	10 .39										MCFE 52A SB
		8 .31	N/A										MCFE 52A SX
		-	10 .39										MCFE 52A SBX
12 .472	4 .157	8 .31	N/A	36 1.4	1.0 0.039	20.000 .7874	+0.021/-0 +0.0008/- 0	M20x1.5	220 1,912	2,400	.45 .99	MCFR 52A	MCFR 52A S
		-	10 .39										MCFR 52A SB
		8 .31	N/A										MCFR 52A SX
		-	10 .39										MCFR 52A SBX
12 .472	4 .157	8 .31	N/A	36 1.4	1.0 0.039	24.050 .9469	+0.025/-0 +0.0009/- 0	M20x1.5	220 1,912	2,400	.45 .99	MCFRE 52A	MCFRE 52A S
		-	10 .39										MCFRE 52A SB
		8 .31	N/A										MCFRE 52A SX
		-	10 .39										MCFRE 52A SBX
11 .433	4 .157	8 .31	N/A	44	1.0 0.039	24.000 .9449	+0.021/-0 +0.0008/- 0	M24x1.5	220 1,912	1,100	.81 1.79	MCF 62	MCF 62 S
		-	14 .55										MCF 62 SB
		8 .31	N/A										MCF 62 SX
		-	14 .55										MCF 62 SBX
11 .433	4 .157	8 .31	N/A	44	1.0 0.039	28.050 .1043	+0.025/-0 +0.0009/- 0	M24x1.5	220 1,912	1,100	.81 1.79	MCFE 62	MCFE 62 S
		-	14 .55										MCFE 62 SB
		8 .31	N/A										MCFE 62 SX
		-	14 .55										MCFE 62 SBX

Metric Cam Followers



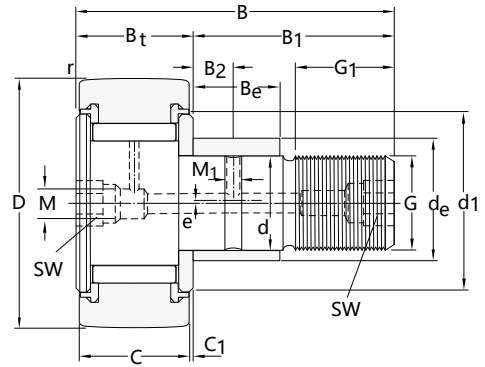
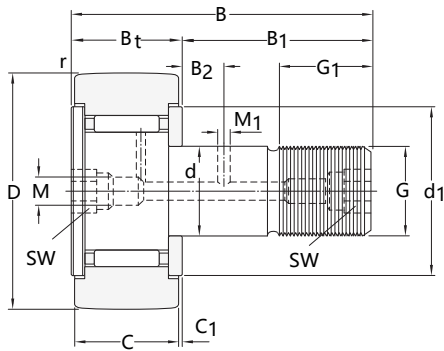
Designation		D		C		d		B _t	C ₁	G ₁	B	R	e	Be	de	Fr	For
W/O Seals	With Seals	Outside Diameter		Outer Ring Width		Stud Diameter		Stud Length	Dist. outer ring face to washer face	Min. Thread Length	Total Length	Cylindrical Suffix X	Ecc	Locking collar width	Locking collar OD	Max. dynamic radial loads	Max. static radial loads
		mm / inch															
		Nom.	Tol.	Nom.	Tol.	Nom.	Tol.	(Ref)	(Ref)	(Ref)	(Ref)	Radius	(Ref)	+0/- .15 +.002/- .006	(Ref)	(Ref)	N/lb
KR 62	KR 62 PP	62.000 2.4409	+0/- .050 +0/- .002	29.000 1.1417	+0/- .12 +0/- .005	24.000 .9449	+0/- .021 +0/- .0008	49.5 1.9	.80 .031	25.0 .98	80 3.1	500 19.7	N/A	N/A	N/A	26,500 5,957	47,500 10,678
KR 62 B	KR 62 PPB		Cylindrical														
KR 62 X	KR 62 PPX																
KR 62 BX	KR 62 PPBX																
KRE 62	KRE 62 PP	62.000 2.4409	+0/- .050 +0/- .002	29.000 1.1417	+0/- .12 +0/- .005	24.000 .9449	+0/- .021 +0/- .0008	49.5 1.9	.80 .031	25.0 .98	80 3.1	500 19.7	1 .04	22 0.87	28 .10	38,840 8,732	65,400 14,703
KRE 62 B	KRE 62 PPB		Cylindrical														
KRE 62 X	KRE 62 PPX																
KRE 62 BX	KRE 62 PPBX																
KRV 62A	KRV 62A PP	62.000 2.4409	+0/- .050 +0/- .002	29.000 1.1417	+0/- .12 +0/- .005	24.000 .9449	+0/- .021 +0/- .0008	49.5 1.9	.80 .031	25.0 .98	80 3.1	500 19.7	N/A	N/A	N/A	26,500 5,957	47,500 10,678
KRV 62A B	KRV 62A PPB		Cylindrical														
KRV 62A X	KRV 62A PPX																
KRV 62A BX	KRV 62A PPBX																
KRVE 62A	KRVE 62A PP	62.000 2.4409	+0/- .050 +0/- .002	29.000 1.1417	+0/- .12 +0/- .005	24.000 .9449	+0/- .021 +0/- .0008	49.5 1.9	.80 .031	25.0 .98	80 3.1	500 19.7	1 .04	22 0.87	28 .10	37,000 8,318	85,000 19,109
KRVE 62A B	KRVE 62A PPB		Cylindrical														
KRVE 62A X	KRVE 62A PPX																
KRVE 62A BX	KRVE 62A PPBX																
KR 62A	KR 62A PP	72.000 2.8346	+0/- .050 +0/- .002	29.000 1.1417	+0/- .12 +0/- .005	24.000 .9449	+0/- .021 +0/- .0008	49.5 1.9	.80 .031	25.0 .98	80 3.1	500 19.7	N/A	N/A	N/A	37,000 8,318	85,000 19,109
KR 62A B	KR 62A PPB		Cylindrical														
KR 62A X	KR 62A PPX																
KR 62A BX	KR 62A PPBX																
KRE 62A	KRE 62A PP	72.000 2.8346	+0/- .050 +0/- .002	29.000 1.1417	+0/- .12 +0/- .005	24.000 .9449	+0/- .021 +0/- .0008	49.5 1.9	.80 .031	25.0 .98	80 3.1	500 19.7	1 .04	22 0.87	28 .10	37,000 8,318	85,000 19,109
KRE 62A B	KRE 62A PPB		Cylindrical														
KRE 62A X	KRE 62A PPX																
KRE 62A BX	KRE 62A PPBX																
KRV 72	KRV 72 PP	72.000 2.8346	+0/- .050 +0/- .002	29.000 1.1417	+0/- .12 +0/- .005	24.000 .9449	+0/- .021 +0/- .0008	49.5 1.9	.80 .031	25.0 .98	80 3.1	500 19.7	N/A	N/A	N/A	37,000 8,318	85,000 19,109
KRV 72 B	KRV 72 PPB		Cylindrical														
KRV 72 X	KRV 72 PPX																
KRV 72 BX	KRV 72 PPBX																

Metric Stud Type Track Roller Bearings



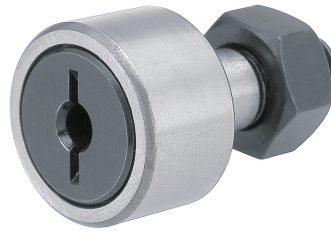
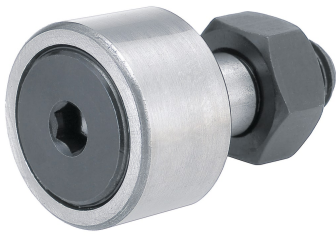
B ₂	M ₁	M	SW	d ₁	r	HBD		G	M _A	nDG	Mass	Designation	
Distance lub. hole to washer face	Diameter of lub. hole (shank)	Seat dia. for lub. accessories	Width of flats	Thrust washer outside diameter	Min. Fillet radius	Housing Bore Diameter		Thread Type	Max. tightening torque	Limiting Speed (Grease)	Bearing Weight	W/O Seals	With Seals
mm / inch													
(Ref)	(Ref)	(Ref)	(Ref)	(Ref)	(Ref)	Nom.	Tol.		Nm in-lb	RPM	kg lb		
11 .433	4 .157	8 .31	N/A	44	1.0 0.039	24.000 .9449	+0.021/-0 +0.0008/- 0	M24x1.5	220 1,912	1,900	.81 1.79	MCFR 62	MCFR 62 S
		-	14 .55									MCFR 62 B	MCFR 62 SB
		8 .31	N/A									MCFR 62 X	MCFR 62 SX
		-	14 .55									MCFR 62 BX	MCFR 62 SBX
11 .433	4 .157	8 .31	N/A	44	1.0 0.039	28.050 .1043	+0.025/-0 +0.0009/- 0	M24x1.5	220 1,912	1,900	.81 1.79	MCFRE 62	MCFRE 62 S
		-	14 .55									MCFRE 62 B	MCFRE 62 SB
		8 .31	N/A									MCFRE 62 X	MCFRE 62 SX
		-	14 .55									MCFRE 62 BX	MCFRE 62 SBX
12 .472	4 .157	8 .31	N/A	44	1.0 0.039	24.000 .9449	+0.021/-0 +0.0008/- 0	M24x1.5	220 1,912	1,100	.81 1.79	MCF 62A	MCF 62A S
		-	14 .55									MCF 62A B	MCF 62A SB
		8 .31	N/A									MCF 62A X	MCF 62A SX
		-	14 .55									MCF 62A BX	MCF 62A SBX
12 .472	4 .157	8 .31	N/A	44	1.0 0.039	28.050 .1043	+0.025/-0 +0.0009/- 0	M24x1.5	220 1,912	1,100	.81 1.79	MCFE 62A	MCFE 62A S
		-	14 .55									MCFE 62A B	MCFE 62A SB
		8 .31	N/A									MCFE 62A X	MCFE 62A SX
		-	14 .55									MCFE 62A BX	MCFE 62A SBX
12 .472	4 .157	8 .31	N/A	44	1.0 0.039	24.000 .9449	+0.021/-0 +0.0008/- 0	M24x1.5	220 1,912	1,900	.81 1.79	MCFR 62A	MCFR 62A S
		-	14 .55									MCFR 62A B	MCFR 62A SB
		8 .31	N/A									MCFR 62A X	MCFR 62A SX
		-	14 .55									MCFR 62A BX	MCFR 62A SBX
12 .472	4 .157	8 .31	N/A	44	1.0 0.039	28.050 .1043	+0.025/-0 +0.0009/- 0	M24x1.5	220 1,912	1,900	.81 1.79	MCFRE 62A	MCFRE 62A S
		-	14 .55									MCFRE 62A B	MCFRE 62A SB
		8 .31	N/A									MCFRE 62A X	MCFRE 62A SX
		-	14 .55									MCFRE 62A BX	MCFRE 62A SBX
12 .472	4 .157	8 .31	N/A	44	1.1 .0433	24.000 .9449	+0.021/-0 +0.0008/- 0	M24x1.5	220 1,912	1,100	1.04 2.29	MCF 72	MCF 72 S
		-	14 .55									MCF 72 B	MCF 72 SB
		8 .31	N/A									MCF 72 X	MCF 72 SX
		-	14 .55									MCF 72 BX	MCF 72 SBX

Metric Cam Followers



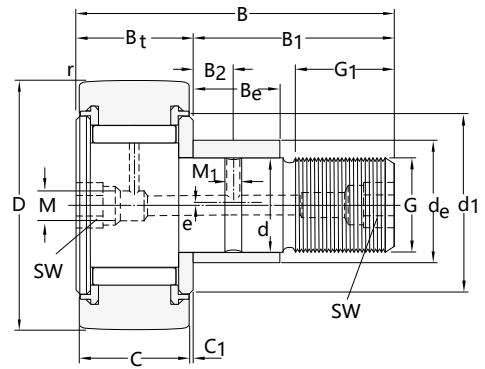
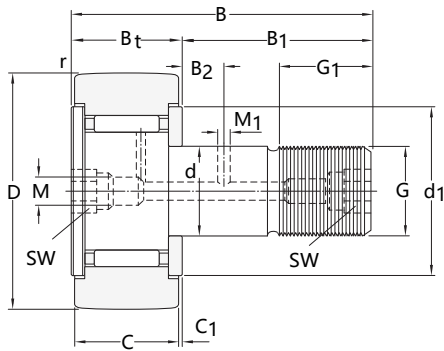
Designation		D		C		d		B _t	C ₁	G ₁	B	R	e	Be	de	Fr	For
W/O Seals	With Seals	Outside Diameter		Outer Ring Width		Stud Diameter		Stud Length	Dist. outer ring face to washer face	Min. Thread Length	Total Length	Cylindrical Suffix X	Ecc	Locking collar width	Locking collar OD	Max. dynamic radial loads	Max. static radial loads
		mm / inch															
		Nom.	Tol.	Nom.	Tol.	Nom.	Tol.	(Ref)	(Ref)	(Ref)	(Ref)	Radius	(Ref)	+0/- .15 +.002/- .006	(Ref)	(Ref)	N/lb
KRVE 72	KRVE 72 PP	72.000 2.8346	+0/- .050 +0/- .002	29.000 1.1417	+0/- .12 +0/- .005	24.000 .9449	+0/- .021 +0/- .0008	49.5 1.9	.80 .031	25.0 .98	80 3.1	500 19.7	1 .04	22 0.87	28 .10	37,000 8,318	85,000 19,109
	KRVE 72 PPB		Cylindrical														
	KRVE 72 PPX																
	KRVE 72 PPBX																
KR 72	KR 72 PP	72.000 2.8346	+0/- .050 +0/- .002	29.000 1.1417	+0/- .12 +0/- .005	24.000 .9449	+0/- .021 +0/- .0008	49.5 1.9	.80 .031	25.0 .98	80 3.1	500 19.7	N/A	N/A	N/A	28,000 6,295	53,000 11,915
	KR 72 B		Cylindrical														
	KR 72 X																
	KR 72 BX																
KRE 72	KRE 72 PP	72.000 2.8346	+0/- .050 +0/- .002	29.000 1.1417	+0/- .12 +0/- .005	24.000 .9449	+0/- .021 +0/- .0008	49.5 1.9	.80 .031	25.0 .98	80 3.1	500 19.7	1 .04	22 0.87	28 .10	37,000 8,318	85,000 19,109
	KRE 72 PPB		Cylindrical														
	KRE 72 PPX																
	KRE 72 PPBX																
KRV 72A	KRV 72A PP	72.000 2.8346	+0/- .050 +0/- .002	29.000 1.1417	+0/- .12 +0/- .005	24.000 .9449	+0/- .021 +0/- .0008	49.5 1.9	.80 .031	25.0 .98	80 3.1	500 19.7	N/A	N/A	N/A	38,840 8,732	65,400 14,703
	KRV 72A B		Cylindrical														
	KRV 72A X																
	KRV 72A BX																
KRVE 72A	KRVE 72A PP	72.000 2.8346	+0/- .050 +0/- .002	29.000 1.1417	+0/- .12 +0/- .005	24.000 .9449	+0/- .021 +0/- .0008	49.5 1.9	.80 .031	25.0 .98	80 3.1	500 19.7	1 .04	22 0.87	28 .10	37,000 8,318	85,000 19,109
	KRVE 72A PPB		Cylindrical														
	KRVE 72A PPX																
	KRVE 72A PPBX																
KR 72A	KR 72A PP	72.000 2.8346	+0/- .050 +0/- .002	29.000 1.1417	+0/- .12 +0/- .005	24.000 .9449	+0/- .021 +0/- .0008	49.5 1.9	.80 .031	25.0 .98	80 3.1	500 19.7	N/A	N/A	N/A	26,380 5,931	46,300 10,409
	KR 72A B		Cylindrical														
	KR 72A X																
	KR 72A BX																
KRE 72A	KRE 72A PP	72.000 2.8346	+0/- .050 +0/- .002	29.000 1.1417	+0/- .12 +0/- .005	24.000 .9449	+0/- .021 +0/- .0008	49.5 1.9	.80 .031	25.0 .98	80 3.1	500 19.7	1 .04	22 0.87	28 .10	37,000 8,318	85,000 19,109
	KRE 72A PPB		Cylindrical														
	KRE 72A PPX																
	KRE 72A PPBX																

Metric Stud Type Track Roller Bearings



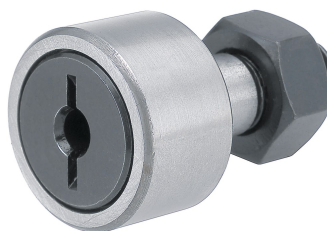
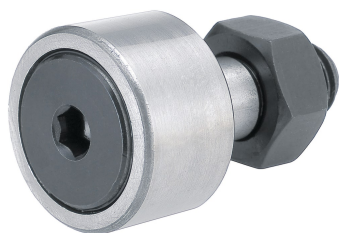
B ₂	M ₁	M	SW	d ₁	r	HBD		G	M _A	nDG	Mass	Designation	
Distance lub. hole to washer face	Diameter of lub. hole (shank)	Seat dia. for lub. accessories	Width of flats	Thrust washer outside diameter	Min. Fillet radius	Housing Bore Diameter		Thread Type	Max. tightening torque	Limiting Speed (Grease)	Bearing Weight	W/O Seals	With Seals
mm / inch													
(Ref)	(Ref)	(Ref)	(Ref)	(Ref)	(Ref)	Nom.	Tol.		Nm in-lb	RPM	kg lb		
N/A	N/A	8 .31	N/A	44	1.1 .0433	28.050 .1043	+0.025/-0 +0.0009/- 0	M24x1.5	220 1,912	1,100	1.04 2.29	MCFE 72	MCFE 72 S
		-	14 .55										MCFE 72 SB
		8 .31	N/A										MCFE 72 SX
		-	14 .55										MCFE 72 SBX
11 .433	4 .157	8 .31	N/A	44	1.1 .0433	24.000 .9449	+ .021/-0 + .0008/- 0	M24x1.5	220 1,912	1,900	1.04 2.29	MCFR 72	MCFR 72 S
		-	14 .55										MCFR 72 SB
		8 .31	N/A										MCFR 72 X
		-	14 .55										MCFR 72 BX
11 .433	4 .157	8 .31	N/A	44	1.1 .0433	28.050 .1043	+0.025/-0 +0.0009/- 0	M24x1.5	220 1,912	1,900	1.04 2.29	MCFRE 72	MCFRE 72 S
		-	14 .55										MCFRE 72 SB
		8 .31	N/A										MCFRE 72 SX
		-	14 .55										MCFRE 72 SBX
11 .433	4 .157	8 .31	N/A	44	1.1 .0433	24.000 .9449	+ .021/-0 + .0008/- 0	M24x1.5	220 1,912	1,100	1.04 2.29	MCF 72A	MCF 72A S
		-	14 .55										MCF 72A SB
		8 .31	N/A										MCF 72A X
		-	14 .55										MCF 72A BX
11 .433	4 .157	8 .31	N/A	44	1.1 .0433	28.050 .1043	+0.025/-0 +0.0009/- 0	M24x1.5	220 1,912	1,100	1.04 2.29	MCFE 72A	MCFE 72A S
		-	14 .55										MCFE 72A SB
		8 .31	N/A										MCFE 72A SX
		-	14 .55										MCFE 72A SBX
11 .433	4 .157	8 .31	N/A	44	1.1 .0433	24.000 .9449	+ .021/-0 + .0008/- 0	M24x1.5	220 1,912	3,100	1.04 2.29	MCFR 72A	MCFR 72A S
		-	14 .55										MCFR 72A SB
		8 .31	N/A										MCFR 72A X
		-	14 .55										MCFR 72A BX
11 .433	4 .157	8 .31	N/A	44	1.1 .0433	28.050 .1043	+0.025/-0 +0.0009/- 0	M24x1.5	220 1,912	3,100	1.04 2.29	MCFRE 72A	MCFRE 72A S
		-	14 .55										MCFRE 72A SB
		8 .31	N/A										MCFRE 72A SX
		-	14 .55										MCFRE 72A SBX

Metric Cam Followers



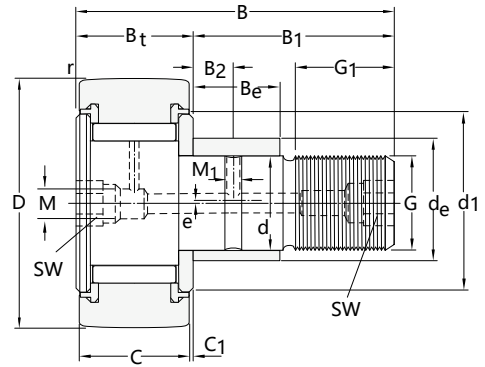
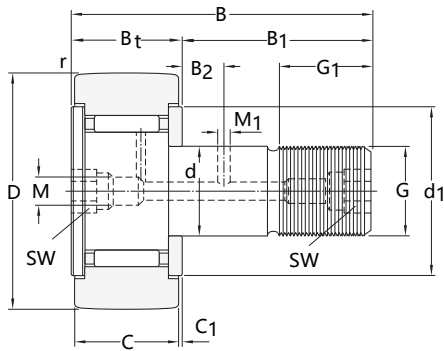
Designation		D		C		d		B _t	C ₁	G ₁	B	R	e	Be	de	Fr	For
W/O Seals	With Seals	Outside Diameter		Outer Ring Width		Stud Diameter		Stud Length	Dist. outer ring face to washer face	Min. Thread Length	Total Length	Cylindrical Suffix X	Ecc	Locking collar width	Locking collar OD	Max. dynamic radial loads	Max. static radial loads
		mm / inch															
		Nom.	Tol.	Nom.	Tol.	Nom.	Tol.	(Ref)	(Ref)	(Ref)	(Ref)	Radius	(Ref)	+0/-0.15 +0.002/-0.006	(Ref)	(Ref)	N/lb
KRV 80	KRV 80 PP	80.000 3.1496	+0/-0.050 +0/-0.002	35.000 1.3780	+0/-0.12 +0/-0.005	30.000 1.1811	+0/-0.021 +0/-0.0008	63 2.5	1.00 .039	32.0 1.26	100 3.9	500 19.7	N/A	N/A	N/A	49,500 11,128	120,000 26,977
KRV 80 B	KRV 80 PPB		Cylindrical														
KRV 80 X	KRV 80 PPX																
KRV 80 BX	KRV 80 PPBX																
KRVE 80	KRVE 80 PP	80.000 3.1496	+0/-0.050 +0/-0.002	35.000 1.3780	+0/-0.12 +0/-0.005	30.000 1.1811	+0/-0.021 +0/-0.0008	63 2.5	1.00 .039	32.0 1.26	100 3.9	500 19.7	1.5 .06	29 1.14	35 .38	49,500 11,128	120,000 26,977
KRVE 80 PPB	KRVE 80 PPB		Cylindrical														
KRVE 80 PPX	KRVE 80 PPX																
KRVE 80 PPBX	KRVE 80 PPBX																
KR 80A	KR 80A PP	80.000 3.1496	+0/-0.050 +0/-0.002	35.000 1.3780	+0/-0.12 +0/-0.005	30.000 1.1811	+0/-0.021 +0/-0.0008	63 2.5	1.00 .039	32.0 1.26	100 3.9	500 19.7	N/A	N/A	N/A	39,500 8,880	77,000 17,310
KR 80A B	KR 80A PPB		Cylindrical														
KR 80A X	KR 80A PPX																
KR 80A BX	KR 80A PPBX																
KRE 80A	KRE 80A PP	80.000 3.1496	+0/-0.050 +0/-0.002	35.000 1.3780	+0/-0.12 +0/-0.005	30.000 1.1811	+0/-0.021 +0/-0.0008	63 2.5	1.00 .039	32.0 1.26	100 3.9	500 19.7	1.5 .06	29 1.14	35 .38	39,500 8,880	77,000 17,310
KRE 80A PPB	KRE 80A PPB		Cylindrical														
KRE 80A PPX	KRE 80A PPX																
KRE 80A PPBX	KRE 80A PPBX																
KRV 85	KRV 85 PP	85.000 3.3465	+0/-0.050 +0/-0.002	35.000 1.3780	+0/-0.12 +0/-0.005	30.000 1.1811	+0/-0.021 +0/-0.0008	63 2.5	1.00 .039	32.0 1.26	100 3.9	500 19.7	N/A	N/A	N/A	49,500 11,128	120,000 26,977
KRV 85 B	KRV 85 PPB		Cylindrical														
KRV 85 X	KRV 85 PPX																
KRV 85 BX	KRV 85 PPBX																
KRVE 85	KRVE 85 PP	85.000 3.3465	+0/-0.050 +0/-0.002	35.000 1.3780	+0/-0.12 +0/-0.005	30.000 1.1811	+0/-0.021 +0/-0.0008	63 2.5	1.00 .039	32.0 1.26	100 3.9	500 19.7	1.5 .06	29 1.14	35 .38	49,500 11,128	120,000 26,977
KRVE 85 PPB	KRVE 85 PPB		Cylindrical														
KRVE 85 PPX	KRVE 85 PPX																
KRVE 85 PPBX	KRVE 85 PPBX																
KR 85	KR 85 PP	85.000 3.3465	+0/-0.050 +0/-0.002	35.000 1.3780	+0/-0.12 +0/-0.005	30.000 1.1811	+0/-0.021 +0/-0.0008	63 2.5	1.00 .039	32.0 1.26	100 3.9	500 19.7	N/A	N/A	N/A	39,500 8,880	77,000 17,310
KR 85 B	KR 85 PPB		Cylindrical														
KR 85 X	KR 85 PPX																
KR 85 BX	KR 85 PPBX																

Metric Stud Type Track Roller Bearings



B ₂	M ₁	M	SW	d ₁	r	HBD		G	M _A	nDG	Mass	Designation	
Distance lub. hole to washer face	Diameter of lub. hole (shank)	Seat dia. for lub. accessories	Width of flats	Thrust washer outside diameter	Min. Fillet radius	Housing Bore Diameter		Thread Type	Max. tightening torque	Limiting Speed (Grease)	Bearing Weight	W/O Seals	With Seals
mm / inch													
(Ref)	(Ref)	(Ref)	(Ref)	(Ref)	(Ref)	Nom.	Tol.		Nm in-lb	RPM	kg lb		
15 .591	4 .157	8 .31	N/A	53	1.1 .0433	30.000 .1811	+0.021/-0 +0.0008/-0	M30x1.5	450 3,903	850	1.64 3.62	MCF 80	MCF 80 S
		-	14 .55									MCF 80 B	MCF 80 SB
		8 .31	N/A									MCF 80 X	MCF 80 SX
		-	14 .55									MCF 80 BX	MCF 80 SBX
15 .591	4 .157	8 .31	N/A	53	1.1 .0433	35.050 .3799	+0.025/-0 +0.0009/-0	M30x1.5	450 3,903	2,200	1.64 3.62	MCFE 80	MCFE 80 S
		-	14 .55									MCFE 80 B	MCFE 80 SB
		8 .31	N/A									MCFE 80 X	MCFE 80 SX
		-	14 .55									MCFE 80 BX	MCFE 80 SBX
15 .591	4 .157	8 .31	N/A	53	1.1 .0433	30.000 .1811	+0.021/-0 +0.0008/-0	M30x1.5	450 3,903	2,200	1.64 3.62	MCFR 80A	MCFR 80A S
		-	14 .55									MCFR 80A B	MCFR 80A SB
		8 .31	N/A									MCFR 80A X	MCFR 80A SX
		-	14 .55									MCFR 80A BX	MCFR 80A SBX
15 .591	4 .157	8 .31	N/A	53	1.1 .0433	35.050 .3799	+0.025/-0 +0.0009/-0	M30x1.5	450 3,903	2,200	1.64 3.62	MCFRE 80A	MCFRE 80A S
		-	14 .55									MCFRE 80A B	MCFRE 80A SB
		8 .31	N/A									MCFRE 80A X	MCFRE 80A SX
		-	14 .55									MCFRE 80A BX	MCFRE 80A SBX
15 .591	4 .157	8 .31	N/A	53	1.1 .0433	30.000 .1811	+0.021/-0 +0.0008/-0	M30x1.5	450 3,903	850	1.64 3.62	MCF 80	MCF 80 S
		-	14 .55									MCF 80 B	MCF 80 SB
		8 .31	N/A									MCF 80 X	MCF 80 SX
		-	14 .55									MCF 80 BX	MCF 80 SBX
15 .591	4 .157	8 .31	N/A	53	1.1 .0433	35.050 .3799	+0.025/-0 +0.0009/-0	M30x1.5	450 3,903	850	1.64 3.62	MCFE 80	MCFE 80 S
		-	14 .55									MCFE 80 B	MCFE 80 SB
		8 .31	N/A									MCFE 80 X	MCFE 80 SX
		-	14 .55									MCFE 80 BX	MCFE 80 SBX
15 .591	4 .157	8 .31	N/A	53	1.1 .0433	30.000 .1811	+0.021/-0 +0.0008/-0	M30x1.5	450 3,903	2,200	1.81 3.99	MCFR 85	MCFR 85 S
		-	14 .55									MCFR 85 B	MCFR 85 SB
		8 .31	N/A									MCFR 85 X	MCFR 85 SX
		-	14 .55									MCFR 85 BX	MCFR 85 SBX

Metric Cam Followers



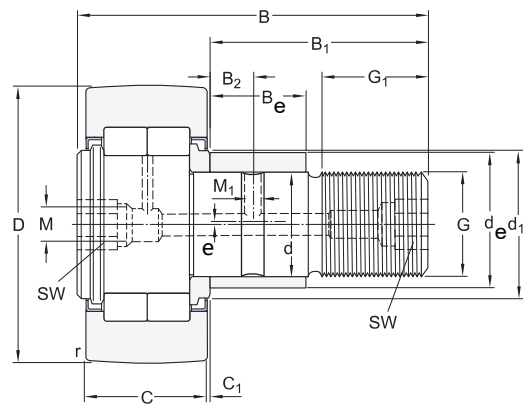
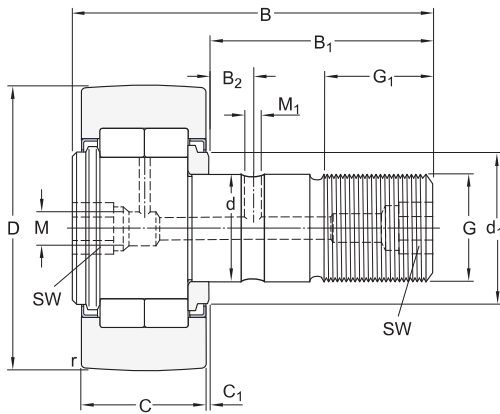
Designation		D		C		d		B _t	C ₁	G ₁	B	R	e	Be	de	Fr	For
W/O Seals	With Seals	Outside Diameter		Outer Ring Width		Stud Diameter		Stud Length	Dist. outer ring face to washer face	Min. Thread Length	Total Length	Cylindrical Suffix X	Ecc	Locking collar width	Locking collar OD	Max. dynamic radial loads	Max. static radial loads
		mm / inch															
		Nom.	Tol.	Nom.	Tol.	Nom.	Tol.	(Ref)	(Ref)	(Ref)	(Ref)	Radius	(Ref)	+0/-0.15 +0.002/-0.006	(Ref)	(Ref)	N/lb
KRE 85	KRE 85 PP	85.000 3.3465	+0/-0.050 +0/-0.002	35.000 1.3780	+0/-0.12 +0/-0.005	30.000 1.1811	+0/-0.021 +0/-0.0008	63 2.5	1.00 .039	32.0 1.26	100 3.9	500 19.7	1.5 .06	29 1.14	35 .38	39,500 8,880	77,000 17,310
KRE 85 B	KRE 85 PPB		Cylindrical														
KRE 85 X	KRE 85 PPX																
KRE 85 BX	KRE 85 PPBX																
KRV 90	KRV 90 PP	90.000 3.5433	+0/-0.050 +0/-0.002	35.000 1.3780	+0/-0.12 +0/-0.005	30.000 1.1811	+0/-0.021 +0/-0.0008	63 2.5	1.00 .039	32.0 1.26	100 3.9	500 19.7	N/A	N/A	N/A	53,000 11,915	130,000 29,225
KRV 90 B	KRV 90 PPB		Cylindrical														
KRV 90 X	KRV 90 PPX																
KRV 90 BX	KRV 90 PPBX																
KRVE 90	KRVE 90 PP	90.000 3.5433	+0/-0.050 +0/-0.002	35.000 1.3780	+0/-0.12 +0/-0.005	30.000 1.1811	+0/-0.021 +0/-0.0008	63 2.5	1.00 .039	32.0 1.26	100 3.9	500 19.7	1.5 .06	29 1.14	35 .38	41,500 9,330	83,000 18,659
KRVE 90 PPB			Cylindrical														
KRVE 90 PPX																	
KRVE 90 PPBX																	
KR 90	KR 90 PP	90.000 3.5433	+0/-0.050 +0/-0.002	35.000 1.3780	+0/-0.12 +0/-0.005	30.000 1.1811	+0/-0.021 +0/-0.0008	63 2.5	1.00 .039	32.0 1.26	100 3.9	500 19.7	N/A	N/A	N/A	41,500 9,330	83,000 18,659
KR 90 B	KR 90 PPB		Cylindrical														
KR 90 X	KR 90 PPX																
KR 90 BX	KR 90 PPBX																
KRE 90	KRE 90 PP	90.000 3.5433	+0/-0.050 +0/-0.002	35.000 1.3780	+0/-0.12 +0/-0.005	30.000 1.1811	+0/-0.021 +0/-0.0008	63 2.5	1.00 .039	32.0 1.26	100 3.9	500 19.7	1.5 .06	29 1.14	35 .38	41,500 9,330	83,000 18,659
KRE 90 PPB			Cylindrical														
KRE 90 PPX																	
KRE 90 PPBX																	

Metric Stud Type Track Roller Bearings



B ₂	M ₁	M	SW	d ₁	r	HBD		G	M _A	nDG	Mass	Designation	
Distance lub. hole to washer face	Diameter of lub. hole (shank)	Seat dia. for lub. accessories	Width of flats	Thrust washer outside diameter	Min. Fillet radius	Housing Bore Diameter		Thread Type	Max. tightening torque	Limiting Speed (Grease)	Bearing Weight	W/O Seals	With Seals
mm / inch													
(Ref)	(Ref)	(Ref)	(Ref)	(Ref)	(Ref)	Nom.	Tol.		Nm in-lb	RPM	kg lb		
15 .591	4 .157	8 .31	N/A	53	1.1 .0433	35.050 .3799	+0.025/-0 +0.0009/- 0	M30x1.5	450 3,903	2,200	1.81 3.99	MCFRE 85	MCFRE 85 S
		-	14 .55									MCFRE 85 B	MCFRE 85 SB
		8 .31	N/A									MCFRE 85 X	MCFRE 85 SX
		-	14 .55									MCFRE 85 BX	MCFRE 85 SBX
15 .591	4 .157	8 .31	N/A	53	1.1 .0433	30.000 .1811	+ .021/-0 + .0008/- 0	M30x1.5	450 3,903	850	1.99 4.39	MCF 90	MCF 90 S
		-	14 .55									MCF 90 B	MCF 90 SB
		8 .31	N/A									MCF 90 X	MCF 90 SX
		-	14 .55									MCF 90 BX	MCF 90 SBX
15 .591	4 .157	8 .31	N/A	53	1.1 .0433	35.050 .3799	+0.025/-0 +0.0009/- 0	M30x1.5	450 3,903	850	1.99 4.39	MCFE 90	MCFE 90 S
		-	14 .55										MCFE 90 SB
		8 .31	N/A										MCFE 90 SX
		-	14 .55										MCFE 90 SBX
15 .591	4 .157	8 .31	N/A	53	1.1 .0433	30.000 .1811	+ .021/-0 + .0008/- 0	M30x1.5	450 3,903	1,300	1.99 4.39	MCFR 90	MCFR 90 S
		-	14 .55									MCFR 90 B	MCFR 90 SB
		8 .31	N/A									MCFR 90 X	MCFR 90 SX
		-	14 .55									MCFR 90 BX	MCFR 90 SBX
15 .591	4 .157	8 .31	N/A	53	1.1 .0433	35.050 .3799	+0.025/-0 +0.0009/- 0	M30x1.5	450 3,903	1,300	1.99 4.39	MCFRE 90	MCFRE 90 S
		-	14 .55										MCFRE 90 SB
		8 .31	N/A										MCFRE 90 SX
		-	14 .55										MCFRE 90 SBX

Metric Cam Followers - NUKR, NUKRE



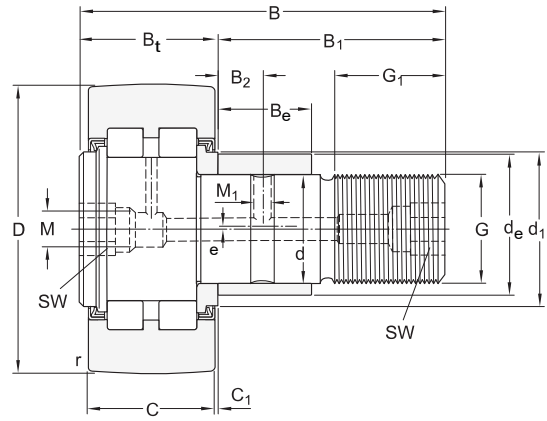
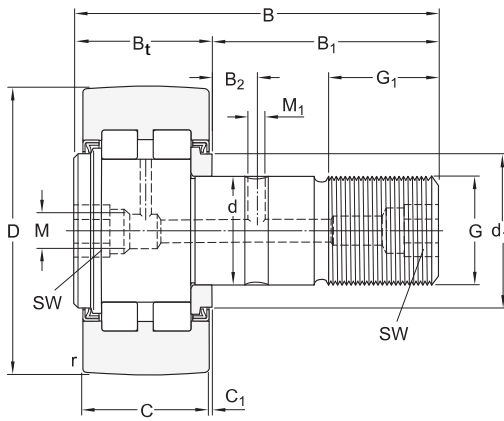
Designation	D		C		d		B ₁	C ₁	G ₁	B	R	e	B _e	d _e	Fr	For		
With Shields	Outside Diameter		Outer Ring Width		Stud Diameter		Stud Length	Distance outer ring face to washer face	Min. Thread Length	Total Length	Cylindrical Suffix X	Ecc	Ecc collar width	Ecc collar OD	Max. dynamic radial loads	Max. static radial loads		
	mm																	
	Nom.	Tol.	Nom.	Tol.	Nom.	Tol.	(Ref)	(Ref)	(Ref)	(Ref)	Radius	(Ref)	+05/-15 +.002/-0.006	(Ref)	N/lb	N/lb		
NUKR 35	35.000 1.3780	+0/-0.050	18.000 .7087	+0/-0.12	16.000 .6299	+0/-0.018	32.5	.80	17 .669	52 2.047	500 19.7	N/A	N/A	N/A	8,600 1,933	16,800 3,776		
NUKRE 35		+0/-0.002					1.28	.031				29.5	3.8	1			12	20
NUKR 35 X		+0/-0.011					1.16	0.15				32.5	.80	.04			0.47	.79
NUKRE 35 X		+0/-0.004					1.28	.031				29.5	3.8	1			12	20
NUKR 40	40.000 1.5748	+0/-0.050	20.000 .7874	+0/-0.12	18.000 .7087	+0/-0.018	36.5	.80	19 .748	58 2.3	500 19.7	N/A	N/A	N/A	13,100 2,945	22,600 5,080		
NUKRE 40		+0/-0.002					1.437	.031				33.5	3.8	1			14	22
NUKR 40 X		+0/-0.011					1.319	0.15				36.5	.80	.04			0.55	.87
NUKRE 40 X		+0/-0.004					1.437	.031				33.5	3.8	1			14	22
NUKR 47	47.000 1.8504	+0/-0.050	24.000 .9449	+0/-0.12	20.000 .7874	+0/-0.021	40.5	.80	21.0 .83	66 2.6	500 19.7	N/A	N/A	N/A	16,400 3,690	35,000 7,785		
NUKRE 47		+0/-0.002					1.6	.031				1.6	.031	1			18	24
NUKR 47 X		+0/-0.011					1.6	.031				1.6	.031	.04			0.71	.94
NUKRE 47 X		+0/-0.004					1.6	.031				1.6	.031	1			18	24
NUKR 52	52.000 2.0472	+0/-0.050	24.000 .9449	+0/-0.12	20.000 .7874	+0/-0.021	40.5	.80	21.0 .83	66 2.6	500 19.7	N/A	N/A	N/A	17,300 3,889	37,500 8,430		
NUKRE 52		+0/-0.002					1.6	.031				1.6	.031	1			18	24
NUKR 52 X		+0/-0.013					1.6	.031				1.6	.031	.04			0.71	.94
NUKRE 52 X		+0/-0.005					1.6	.031				1.6	.031	1			18	24
NUKR 62	62.000 2.4409	+0/-0.050	29.000 1.1417	+0/-0.12	24.000 .9449	+0/-0.021	49.5	1.3	25.0 .98	80 3.1	500 19.7	N/A	N/A	N/A	23,500 5,282	50,000 11,240		
NUKRE 62		+0/-0.002					1.9	.051				1.9	.051	1			22	28
NUKR 62 X		+0/-0.013					1.9	.051				1.9	.051	.04			0.87	.10
NUKRE 62 X		+0/-0.005					1.9	.051				1.9	.051	1			22	28
NUKR 72	72.000 2.8346	+0/-0.050	29.000 1.1417	+0/-0.12	24.000 .9449	+0/-0.021	49.5	1.3	25.0 .98	80 3.1	500 19.7	N/A	N/A	N/A	32,000 7,193	50,000 11,240		
NUKRE 72		+0/-0.002					1.9	.051				1.9	.051	1			22	28
NUKR 72 X		+0/-0.013					1.9	.051				1.9	.051	.04			0.87	.10
NUKRE 72 X		+0/-0.005					1.9	.051				1.9	.051	1			22	28
NUKR 80	80.000 3.1496	+0/-0.050	35.000 1.3780	+0/-0.12	30.000 1.1811	+0/-0.021	63	1.00	32.0 1.26	100 3.9	500 19.7	N/A	N/A	N/A	47,500 10,678	98,000 22,030		
NUKRE 80		+0/-0.002					2.5	.039				2.5	.039	1.5			29	35
NUKR 80 X		+0/-0.015					2.5	.039				2.5	.039	.06			1.14	.38
NUKRE 80 X		+0/-0.006					2.5	.039				2.5	.039	1.5			29	35
NUKR 90	90.000 3.5433	+0/-0.050	35.000 1.3780	+0/-0.12	30.000 1.1811	+0/-0.021	63	1.00	32.0 1.26	100 3.9	500 19.7	N/A	N/A	N/A	77,000 17,309	11,700 26,301		
NUKRE 90		+0/-0.002					2.5	.039				2.5	.039	1.5			29	35
NUKR 90 X		+0/-0.015					2.5	.039				2.5	.039	.06			1.14	.38
NUKRE 90 X		+0/-0.006					2.5	.039				2.5	.039	1.5			29	35

Metric Stud Type Track Roller Bearings



B ₂	M ₁	M	SW	d ₁	r	HBD		G	M _A	nDG	Mass	Designation			
Distance lubrication hole to washer face	Diameter of lubrication hole (shank)	Seat diameter for lubrication accessories	Width of flats	Thrust washer outside diameter	Min. Fillet radius	Housing Bore Diameter		Thread Type	Max. tightening torque	Limiting Speed (Grease)	Bearing Weight	With Shields			
(Ref)	(Ref)	(Ref)	(Ref)		(Ref)	Nom.	Tol.		Nm in-lb	RPM	kg lb				
8 .315	3 .118	6 .24	8 .315	0.6 .024	20 .787	16.000	+0.018/-0	M16x1.5	87 752	5,000	.16 .36	MCFD 35			
						20.050	+0.025/-0						MCFDE 35		
						16.000	+0.018/-0							MCFD 35 X	
						20.050	+0.025/-0								MCFDE 35 X
						16.000	+0.018/-0								
8 .315	3 .118	6 .24	8 .315	1.0 .04	22 .866	18.000	+0.018/-0	M18x1.5	120 1,044	4,500	.24 .53	MCFD 40			
						22.050	+0.025/-0						MCFDE 40		
						18.000	+0.018/-0							MCFD 40 X	
						22.050	+0.025/-0								MCFDE 40 X
						18.000	+0.018/-0								
9 .354	4 .157	6 .24	10 .39	1.0 .04	27 1.063	20.000	+0.021/-0	M20x1.5	120 1,044	3,800	.38 .86	MCFD 47			
						24.050	+0.025/-0						MCFDE 47		
						20.000	+0.021/-0							MCFD 47 X	
						24.050	+0.025/-0								MCFDE 47 X
						20.000	+0.021/-0								
9 .354	4 .157	8 .31	10 .39	1.0 .04	27 1.063	20.000	+0.021/-0	M20x1.5	120 1,044	3,200	.45 1.06	MCFD 52			
						24.050	+0.025/-0						MCFDE 52		
						20.000	+0.021/-0							MCFD 52 X	
						24.050	+0.025/-0								MCFDE 52 X
						20.000	+0.021/-0								
12 .472	4 .157	8 .31	14 .55	1.0 0.039	38 1.5	24.000	+0.021/-0	M24x1.5	220 1,912	2,600	.80 1.79	MCFD 62			
						28.050	+0.025/-0						MCFDE 62		
						24.000	+0.021/-0							MCFD 62 X	
						28.050	+0.025/-0								MCFDE 62 X
						24.000	+0.021/-0								
12 .472	4 .157	8 .31	14 .55	1.1 .0433	44 1.73	24.000	+0.021/-0	M24x1.5	220 1,912	2,200	1.02 2.29	MCFD 72			
						28.050	+0.025/-0						MCFDE 72		
						24.000	+0.021/-0							MCFD 72 X	
						28.050	+0.025/-0								MCFDE 72 X
						24.000	+0.021/-0								
15 .591	4 .157	8 .31	14 .55	1.1 .0433	47 1.85	30.000	+0.021/-0	M30x1.5	450 3,903	1,900	1.60 3.60	MCFD 80			
						35.050	+0.025/-0						MCFDE 80		
						30.000	+0.021/-0							MCFD 80 X	
						35.050	+0.025/-0								MCFDE 80 X
						30.000	+0.021/-0								
15 .591	4 .157	8 .31	14 .55	1.1 .0433	47 1.85	30.000	+0.021/-0	M30x1.5	450 3,903	1,800	1.96 4.41	MCFD 90			
						35.050	+0.025/-0						MCFDE 90		
						30.000	+0.021/-0							MCFD 90 X	
						35.050	+0.025/-0								MCFDE 90 X
						30.000	+0.021/-0								

Metric Cam Followers - PWKR, PWKRE



Designation	D		C		d		B ₁	C ₁	G ₁	B	R	e	Be	de	Fr	For				
With Shields	Outside Diameter		Outer Ring Width		Stud Diameter		Stud Length	Distance outer ring face to washer face	Min. Thread Length	Total Length	Cylindrical Suffix X	Ecc	Ecc collar width	Ecc collar OD	Max. dynamic radial loads	Max. static radial loads				
	mm																			
	Nom.	Tol.	Nom.	Tol.	Nom.	Tol.	(Ref)	(Ref)	(Ref)	(Ref)	Radius	(Ref)	+05/-15 +.002/-006	(Ref)	(Ref)	N/lb	N/lb			
PWKR 35 2RS	35.000 1.3780	+0/-0.050	18.000 .7087	+0/-0.12 +0/-0.005	16.000 .6299	+0/-0.018 +0/-0.0007	32.5	.80	17	52	2.047	N/A	N/A	N/A	8,600	12,500				
PWKRE 35 2RS		+0/-0.002					1.28	.031									29.5	3.8	1.16	0.15
PWKR 35 X 2RS		+0/-0.011					32.5	.80									1.28	.031	29.5	3.8
PWKRE 35 X 2RS		+0/-0.0004					1.16	0.15									1.28	.031	29.5	3.8
PWKR 40 2RS	40.000 1.5748	+0/-0.050	20.000 .7874	+0/-0.12 +0/-0.005	18.000 .7087	+0/-0.018 +0/-0.0007	36.5	.80	19	58	2.3	N/A	N/A	N/A	13,100	22,600				
PWKRE 40 2RS		+0/-0.002					1.437	.031									33.5	3.8	1.319	0.15
PWKR 40 X 2RS		+0/-0.011					36.5	.80									1.437	.031	33.5	3.8
PWKRE 40 X 2RS		+0/-0.0004					1.319	0.15									1.437	.031	33.5	3.8
PWKR 47 2RS	47.000 1.8504	+0/-0.050	24.000 .9449	+0/-0.12 +0/-0.005	20.000 .7874	+0/-0.021 +0/-0.0008	40.5	.80	21.0	66	2.6	N/A	N/A	N/A	18,300	25,500				
PWKRE 47 2RS		+0/-0.002					1.6	.031									1.6	.031	40.5	.80
PWKR 47 X 2RS		+0/-0.011					40.5	.80									1.6	.031	40.5	.80
PWKRE 47 X 2RS		+0/-0.0004					1.6	.031									1.6	.031	40.5	.80
PWKR 52 2RS	52.000 2.0472	+0/-0.050	24.000 .9449	+0/-0.12 +0/-0.005	20.000 .7874	+0/-0.021 +0/-0.0008	40.5	.80	21.0	66	2.6	N/A	N/A	N/A	18,600	26,500				
PWKRE 52 2RS		+0/-0.002					1.6	.031									1.6	.031	40.5	.80
PWKR 52 X 2RS		+0/-0.013					40.5	.80									1.6	.031	40.5	.80
PWKRE 52 X 2RS		+0/-0.0005					1.6	.031									1.6	.031	40.5	.80
PWKR 62 2RS	62.000 2.4409	+0/-0.050	29.000 1.1417	+0/-0.12 +0/-0.005	24.000 .9449	+0/-0.021 +0/-0.0008	49.5	1.3	25.0	80	3.1	N/A	N/A	N/A	20,400	29,000				
PWKRE 62 2RS		+0/-0.002					1.9	.051									1.9	.051	49.5	1.3
PWKR 62 X 2RS		+0/-0.013					49.5	1.3									1.9	.051	49.5	1.3
PWKRE 62 X 2RS		+0/-0.0005					1.9	.051									1.9	.051	49.5	1.3
PWKR 72 2RS	72.000 2.8346	+0/-0.050	29.000 1.1417	+0/-0.12 +0/-0.005	24.000 .9449	+0/-0.021 +0/-0.0008	49.5	1.3	25.0	80	3.1	N/A	N/A	N/A	38,000	46,500				
PWKRE 72 2RS		+0/-0.002					1.9	.051									1.9	.051	49.5	1.3
PWKR 72 X 2RS		+0/-0.013					49.5	1.3									1.9	.051	49.5	1.3
PWKRE 72 X 2RS		+0/-0.0005					1.9	.051									1.9	.051	49.5	1.3
PWKR 80 2RS	80.000 3.1496	+0/-0.050	35.000 1.3780	+0/-0.12 +0/-0.005	30.000 1.1811	+0/-0.021 +0/-0.0008	63	1.00	32.0	100	3.9	N/A	N/A	N/A	57,000	70,000				
PWKRE 80 2RS		+0/-0.002					2.5	.039									2.5	.039	63	1.00
PWKR 80 X 2RS		+0/-0.015					63	1.00									2.5	.039	63	1.00
PWKRE 80 X 2RS		+0/-0.0006					2.5	.039									2.5	.039	63	1.00
PWKR 90 2RS	90.000 3.5433	+0/-0.050	35.000 1.3780	+0/-0.12 +0/-0.005	30.000 1.1811	+0/-0.021 +0/-0.0008	63	1.00	32.0	100	3.9	N/A	N/A	N/A	82,000	82,000				
PWKRE 90 2RS		+0/-0.002					2.5	.039									2.5	.039	63	1.00
PWKR 90 X 2RS		+0/-0.015					63	1.00									2.5	.039	63	1.00
PWKRE 90 X 2RS		+0/-0.0006					2.5	.039									2.5	.039	63	1.00

Metric Stud Type Track Roller Bearings



B ₂	M ₁	M	SW	d ₁	r	HBD		G	M _A	nDG	Mass	Designation
Distance lubrication hole to washer face	Diameter of lubrication hole (shank)	Seat diameter for lubrication accessories	Width of flats	Thrust washer outside diameter	Min. Fillet radius	Housing Bore Diameter		Thread Type	Max. tightening torque	Limiting Speed (Grease)	Bearing Weight	With Shields
(Ref)	(Ref)	(Ref)	(Ref)	(Ref)	Nom.	Tol.	Nm in-lb		RPM	kg lb		
8 .315	3 .118	6 .24	8 .315	20	0.6 .024	16.000	+0.018/-0	M16x1.5	87 752	5,000	.16	PWKR 35 2RS
				.787		.63	+0.0007/-0				.36	
				27.6		20.050	+0.025/-0				.18	
				1.087		.7894	+0.0009/-0				.405	
				20		16.000	+0.018/-0				.16	
8 .315	3 .118	6 .24	8 .315	22	1.0 .04	18.000	+0.018/-0	M18x1.5	120 1,044	4,500	.24	PWKR 40 2RS
				.866		.7087	+0.0007/-0				.53	
				30		22.050	+0.025/-0				.26	
				1.181		.8681	+0.0009/-0				.585	
				22		18.000	+0.018/-0				.24	
9 .354	4 .157	6 .24	10 .39	27	1.0 .04	20.000	+0.021/-0	M20x1.5	120 1,044	3,800	.38	PWKR 47 2RS
				.7874		.7874	+0.0008/-0				.86	
				24.050		24.050	+0.025/-0				.40	
				.9469		.9469	+0.0009/-0				.90	
				20.000		20.000	+0.021/-0				.38	
9 .354	4 .157	8 .31	10 .39	27	1.0 .04	20.000	+0.021/-0	M20x1.5	120 1,044	3,200	.45	PWKR 52 2RS
				.7874		.7874	+0.0008/-0				1.01	
				24.050		24.050	+0.025/-0				.47	
				.9469		.9469	+0.0009/-0				1.06	
				20.000		20.000	+0.021/-0				.45	
12 .472	4 .157	8 .31	14 .55	38	1.0 0.039	24.000	+0.021/-0	M24x1.5	220 1,912	2,600	.80	PWKR 62 2RS
				.9449		.9449	+0.0008/-0				1.79	
				28.050		28.050	+0.025/-0				.82	
				.1043		.1043	+0.0009/-0				1.85	
				24.000		24.000	+0.021/-0				.80	
12 .472	4 .157	8 .31	14 .55	44	1.1 .0433	24.000	+0.021/-0	M24x1.5	220 1,912	2,200	1.02	PWKR 72 2RS
				.9449		.9449	+0.0008/-0				2.29	
				28.050		28.050	+0.025/-0				1.05	
				.1043		.1043	+0.0009/-0				2.36	
				24.000		24.000	+0.021/-0				1.02	
15 .591	4 .157	8 .31	14 .55	47	1.1 .0433	30.000	+0.021/-0	M30x1.5	450 3,903	1,900	1.60	PWKR 80 2RS
				.1811		.1811	+0.0008/-0				3.60	
				35.050		35.050	+0.025/-0				1.67	
				.3799		.3799	+0.0009/-0				3.76	
				30.000		30.000	+0.021/-0				1.60	
15 .591	4 .157	8 .31	14 .55	47	1.1 .0433	30.000	+0.021/-0	M30x1.5	450 3,903	1,800	1.96	PWKR 90 2RS
				.1811		.1811	+0.0008/-0				4.41	
				35.050		35.050	+0.025/-0				2.02	
				.3799		.3799	+0.0009/-0				4.55	
				30.000		30.000	+0.021/-0				1.96	
15 .591	4 .157	8 .31	14 .55	47	1.1 .0433	30.000	+0.021/-0	M30x1.5	450 3,903	1,800	1.96	PWKR 90 2RS
				.1811		.1811	+0.0008/-0				4.41	
				35.050		35.050	+0.025/-0				2.02	
				.3799		.3799	+0.0009/-0				4.55	
				30.000		30.000	+0.021/-0				1.96	
15 .591	4 .157	8 .31	14 .55	47	1.1 .0433	30.000	+0.021/-0	M30x1.5	450 3,903	1,800	1.96	PWKR 90 2RS
				.1811		.1811	+0.0008/-0				4.41	
				35.050		35.050	+0.025/-0				2.02	
				.3799		.3799	+0.0009/-0				4.55	
				30.000		30.000	+0.021/-0				1.96	

Interchange of Cam Follower - Metric

INA SKF C&H	NTN	IKO	THK	NSK	KOYO	Mc.GILL	Smith
KR	KR.H	CF..BR	CF..R-A	FCJB-..R	KM..RHM	MCFR-..B	MCR-..-B
KR..PP	KR..LLH	CF..BUUR	CF..UUR-A	FCJSB-..R	KM..UURHM	MCFR-..-SB	MCR-..-SB
KR..X	KR..XH	CF..B	CF..-A	FCJB-..	KM..HMM	MCFR-..-BX	MCR-..-BC
KR..PPX	KR..XLLH	CF..BUU	CF..UU-A	FCJSB-..	KM..UUHM	MCFR-..-SBX	MCR-..-SBC
KR	KR	CF..R	CF..R	FCJ-..R	KM..RM	MCFR-..	MCR-..
KR..PP	KR..LL	CF..UUR	CF..UUR	FCJS-..R	KM..UURM	MCFR-..-S	MCR-..-S
KR..X	KR..X	CF	CF	FCJ-..	KM..M	MCFR-..-X	MCR-..-C
KR..PPX	KR..XLL	CF..UU	CF..UU	FCJS-..	KM..UUM	MCFR-..-SX	MCR-..-SC
KRV	KRV..H	CF..VBR		FCRB-..R	CM..RHM	MCF-..-B	MCV-..-B
KRV..PP	KRV..LLH	CF..VBUUR		FCRSB-..R	CM..UURHM	MCF-..-SB	MCV-..-SB
KRV..X	KRV..XH	CF..VB	CF..V-A	FCRB-..	CM..HM	MCF-..-BX	MCV-..-BC
KRV..PPX	KRV..XLLH	CF..VBUU	CF..VUU-A	FCRSB-..	CM..UUHM	MCF-..-SBX	MCV-..-SBC
KRV	KRV	CF..VR		FCR-..R	CM..RM	MCF-..	MCV-..
KRV..PP	KRV..LL	CF..VUUR		FCRS-..R	CM..UURM	MCF-..-S	MCV-..-S
KRV..X	KRV..X	CF..V		FCR-..	CM..M	MCF-..-X	MCV-..-C
KRV..PPX	KRV..XLL	CF..VUU		FCRS-..	CM..UUM	MCF-..-SX	MCV-..-SC
KRE..PP		CFE..BUUR		FCJSBE-..R		MCFRE-..SB	MCR-..SBE
KRVE..PP		CFE..VBUUR		FCRSBE-..R		MCFE-..SB	MCV-..SBE
KRE..PPX		CFE..BUU		FCJSBE-..		MCFRE-..SBX	MCR-..SBCE
KRVE..PPX		CFE..VBUU		FCRSBE-..		MCFE-..SBX	MCV-..SBCE

INA SKF NTN C&H		IKO THK		McGill		Smith	
Cage	Full Roller	Cage	Full Roller	Cage	Full Roller	Cage	Full Roller
--	--	CF5	CF5V	MCFR-13	MCF-13	MCR-13	MCV-13
KR-16	KRV-16	CF6R	CF6VR	MCFR-16	MCF-16	MCR-16	MCV-16
KR-19	KRV-19	CF8R	CF8VR	MCFR-19	MCF-19	MCR-19	MCV-19
KR-22	KRV-22	--	--	MCFR-22	MCF-22	MCR-22	MCV-22
--	--	CF10R	CF10VR	MCFR-22A	MCF-22A		
KR-26	KRV-26	--	--	MCFR-26	MCF-26	MCR-26	MCV-26
--	--	CF10-1R	CF10-1VR	MCFR-26A	MCF-26A		
KR-30	KRV-30	CF12R	CF12VR	MCFR-30	MCF-30	MCR-30	MCV-30
KR-32	KRV-32	CF12-1R	CF12-1VR	MCFR-32	MCF-32	MCR-32	MCV-32
KR-35	KRV-35	CF16R	CF16VR	MCFR-35	MCF-35	MCR-35	MCV-35
KR-40	KRV-40	--	--	MCFR-40	MCF-40	MCR-40	MCV-40
--	--	CF18R	CF18VR	MCFR-40A	MCF-40A		
KR-47	KRV-47	--	--	MCFR-47	MCF-47	MCR-47	MCV-47
--	--	CF20-1R	CF20-1VR	MCFR-47A	MCF-47A		
KR-52	KRV-52	--	--	MCFR-52	MCF-52	MCR-52	MCV-52
--	--	CF20R	CF20VR	MCFR-52A	MCF-52A		
KR-62	KRV-62	--	--	MCFR-62	MCF-62	MCR-62	MCV-62
--	--	CF24R	CF24VR	MCFR-62A	MCF-62A		
KR-72	KRV-72	--	--	MCFR-72	MCF-72	MCR-72	MCV-72
--	--	CF24-1R	CF24-1VR	MCFR-72A	MCF-72A		
KR-80	KRV-80	CF30R	CF30VR	MCFR-80	MCF-80	MCR-80	MCV-80
KR-85	--	CF30-1R	CF30-1VR	MCFR-85	MCF-85	MCR-85	MCV-85
KR-90	KRV-90	CF30-2R	CF30-2VR	MCFR-90	MCF-90	MCR-90	MCV-90

Coding for Other Cam Follower and Yoke Roller Types

Optional Features	SKF.INA.C&H	IKO	THK	NTN	McGill	Smith
Sealed	add suffix "PP"	add suffix "UU"	add suffix "UU"	add suffix "LL"	add suffix "S"	add suffix "S"
Cylindrical O.D.	add suffix "X"	remove suffix "R"	remove suffix "R"	add suffix "X"	add suffix "X"	add suffix "C"
Hex-Drive	add suffix "SK"	add suffix "B"	add suffix "A"	add suffix "H"	add suffix "B"	add suffix "B"
Eccentric	add prefix "E"	add prefix "E"			add prefix "E"	add suffix "E"

Interchange of Different Brand Cam Follower

Metic Inch	With Cage Full Roller	Crowned OD Cylindrical OD	Hex Socket Slot Socket	With Seals W/O Seals	Concentric Eccentric		
INA SKF	NTN	IKO	THK	NSK	KOYO	Mc.GILL	SMITH
-	KR10T2H/3AS	-	CF 3R	FCJB-10R	-	-	-
-	KR12T2H/3AS	-	CF 4R	FCJB-12R	-	-	-
-	KR13T2H/3AS	-	CF 5R-A	-	-	MCFR-13-B	MCR-13-B
KR16SK	KR16H/3AS	CF 6BR	CF 6R-A	FCJB-16R	KM 6RHM	MCFR-16-B	MCR-16-B
KR19SK	KR19H/3AS	CF 8BR	CF 8R-A	FCJB-19R	KM 8RHM	MCFR-19-B	MCR-19-B
KR22	KR22H	CF10BR	CF10R-A	FCJB-22R	KM10RHM	MCFR-22-B	MCR-22-B
KR26	KR26H	CF10-1BR	CF10-1R-A	FCJB-26R	KM10-1RHM	MCFR-26-B	MCR-26-B
KR30	KR30H	CF12BR	CF12R-A	FCJB-30R	KM12RHM	MCFR-30-B	MCR-30-B
KR32	KR32H	CF12-1BR	CF12-1R-A	FCJB-32R	KM12-1RHM	MCFR-32-B	MCR-32-B
KR35	KR35H	CF16BR	CF16R-A	FCJB-35R	KM16RHM	MCFR-35-B	MCR-35-B
KR40	KR40H	CF18BR	CF18R-A	FCJB-40R	KM18RHM	MCFR-40-B	MCR-40-B
KR47	KR47H	CF20-1BR	CF20-1R-A	FCJB-47R	KM20RHM	MCFR-47-B	MCR-47-B
KR52	KR52H	CF20BR	CF20R-A	FCJB-52R	KM20-1RHM	MCFR-52-B	MCR-52-B
KR62	KR62H	CF24BR	CF24R-A	FCJB-62R	KM24RHM	MCFR-62-B	MCR-62-B
KR72	KR72H	CF24-1BR	CF24-1R-A	FCJB-72R	KM24-1RHM	MCFR-72-B	MCR-72-B
KR80	KR80H	CF30BR	CF30R-A	FCJB-80R	KM30RHM	MCFR-80-B	MCR-80-B
KR85	KR85H	CF30-1BR	CF30-1R-A	FCJB-85R	KM30-1RHM	MCFR-85-B	MCR-85-B
KR90	KR90H	CF30-2BR	CF30-2R-A	FCJB-90R	KM30-2RHM	MCFR-90-B	MCR-90-B

Metic Inch	With Cage Full Roller	Crowned OD Cylindrical OD	Hex Socket Slot Socket	With Seals W/O Seals	Concentric Eccentric		
INA SKF	NTN	IKO	THK	NSK	KOYO	Mc.GILL	SMITH
-	KR10T2LLH/3AS	-	CF 3UUR	FCJSB-10R	-	-	-
-	KR12T2LLH/3AS	-	CF 4UUR	FCJSB-12R	-	-	-
-	KR13T2LLH/3AS	-	CF 5UUR-A	-	-	MCFR-13-SB	MCR-13-SB
KR16PPSK	KR16LLH/3AS	CF 6BUUR	CF 6UUR-A	FCJSB-16R	KM 6UURHM	MCFR-16-SB	MCR-16-SB
KR19PPSK	KR19LLH/3AS	CF 8BUUR	CF 8UUR-A	FCJSB-19R	KM 8UURHM	MCFR-19-SB	MCR-19-SB
KR22PP	KR22LLH	CF10BUUR	CF10UUR-A	FCJSB-22R	KM10UURHM	MCFR-22-SB	MCR-22-SB
KR26PP	KR26LLH	CF10-1BUUR	CF10-1UUR-A	FCJSB-26R	KM10-1UURHM	MCFR-26-SB	MCR-26-SB
KR30PP	KR30LLH	CF12BUUR	CF12UUR-A	FCJSB-30R	KM12UURHM	MCFR-30-SB	MCR-30-SB
KR32PP	KR32LLH	CF12-1BUUR	CF12-1UUR-A	FCJSB-32R	KM12-1UURHM	MCFR-32-SB	MCR-32-SB
KR35PP	KR35LLH	CF16BUUR	CF16UUR-A	FCJSB-35R	KM16UURHM	MCFR-35-SB	MCR-35-SB
KR40PP	KR40LLH	CF18BUUR	CF18UUR-A	FCJSB-40R	KM18UURHM	MCFR-40-SB	MCR-40-SB
KR47PP	KR47LLH	CF20-1BUUR	CF20-1UUR-A	FCJSB-47R	KM20UURHM	MCFR-47-SB	MCR-47-SB
KR52PP	KR52LLH	CF20BUUR	CF20UUR-A	FCJSB-52R	KM20-1UURHM	MCFR-52-SB	MCR-52-SB
KR62PP	KR62LLH	CF24BUUR	CF24UUR-A	FCJSB-62R	KM24UURHM	MCFR-62-SB	MCR-62-SB
KR72PP	KR72LLH	CF24-1BUUR	CF24-1UUR-A	FCJSB-72R	KM24-1UURHM	MCFR-72-SB	MCR-72-SB
KR80PP	KR80LLH	CF30BUUR	CF30UUR-A	FCJSB-80R	KM30UURHM	MCFR-80-SB	MCR-80-SB
KR85PP	KR85LLH	CF30-1BUUR	CF30-1UUR-A	FCJSB-85R	KM30-1UURHM	MCFR-85-SB	MCR-85-SB
KR90PP	KR90LLH	CF30-2BUUR	CF30-2UUR-A	FCJSB-90R	KM30-2UURHM	MCFR-90-SB	MCR-90-SB

Metic Inch	With Cage Full Roller	Crowned OD Cylindrical OD	Hex Socket Slot Socket	With Seals W/O Seals	Concentric Eccentric		
INA SKF	NTN	IKO	THK	NSK	KOYO	Mc.GILL	SMITH
-	KR10XT2H/3AS	CF 3B	CF 3	FCJB-10	-	-	-
-	KR12XT2H/3AS	CF 4B	CF 4	FCJB-12	-	-	-
-	KR13XT2H/3AS	CF 5B	CF 5-A	-	-	MCFR-13-BX	MCR-13-BC
KR16SKX	KR16XH/3AS	CF 6B	CF 6-A	FCJB-16	KM 6HM	MCFR-16-BX	MCR-16-BC
KR19SKX	KR19XH/3AS	CF 8B	CF 8-A	FCJB-19	KM 8HM	MCFR-19-BX	MCR-19-BC
KR22X	KR22XH	CF10B	CF10-A	FCJB-22	KM10HM	MCFR-22-BX	MCR-22-BC
KR26X	KR26XH	CF10-1B	CF10-1-A	FCJB-26	KM10-1HM	MCFR-26-BX	MCR-26-BC
KR30X	KR30XH	CF12B	CF12-A	FCJB-30	KM12HM	MCFR-30-BX	MCR-30-BC
KR32X	KR32XH	CF12-1B	CF12-1-A	FCJB-32	KM12-1HM	MCFR-32-BX	MCR-32-BC
KR35X	KR35XH	CF16B	CF16-A	FCJB-35	KM16HM	MCFR-35-BX	MCR-35-BC
KR40X	KR40XH	CF18B	CF18-A	FCJB-40	KM18HM	MCFR-40-BX	MCR-40-BC
KR47X	KR47XH	CF20-1B	CF20-1-A	FCJB-47	KM20HM	MCFR-47-BX	MCR-47-BC
KR52X	KR52XH	CF20B	CF20-A	FCJB-52	KM20-1HM	MCFR-52-BX	MCR-52-BC
KR62X	KR62XH	CF24B	CF24-A	FCJB-62	KM24HM	MCFR-62-BX	MCR-62-BC
KR72X	KR72XH	CF24-1B	CF24-1-A	FCJB-72	KM24-1HM	MCFR-72-BX	MCR-72-BC
KR80X	KR80XH	CF30B	CF30-A	FCJB-80	KM30HM	MCFR-80-BX	MCR-80-BC
KR85X	KR85XH	CF30-1B	CF30-1-A	FCJB-85	KM30-1HM	MCFR-85-BX	MCR-85-BC
KR90X	KR90XH	CF30-2B	CF30-2-A	FCJB-90	KM30-2HM	MCFR-90-BX	MCR-90-BC

Metic Inch	With Cage Full Roller	Crowned OD Cylindrical OD	Hex Socket Slot Socket	With Seals W/O Seals	Concentric Eccentric		
INA SKF	NTN	IKO	THK	NSK	KOYO	Mc.GILL	SMITH
-	KR10XT2LLH/3AS	CF 3BUU	CF 3UU	-	-	-	-
-	KR12XT2LLH/3AS	CF 4BUU	CF 4UU	-	-	-	-
-	KR13XT2LLH/3AS	CF 5BUU	CF 5UU-A	-	-	MCFR-13-SBX	MCR-13-SBC
KR16PPSKX	KR16LLH/3AS	CF 6BUU	CF 6UU-A	FCJSB-16	KM 6UUHM	MCFR-16-SBX	MCR-16-SBC
KR19PPSKX	KR19LLH/3AS	CF 8BUU	CF 8UU-A	FCJSB-19	KM 8UUHM	MCFR-19-SBX	MCR-19-SBC
KR22PPX	KR22LLH/3AS	CF10BUU	CF10UU-A	FCJSB-22	KM10UUHM	MCFR-22-SBX	MCR-22-SBC
KR26PPX	KR26LLH/3AS	CF10-1BUU	CF10-1UU-A	FCJSB-26	KM10-1UUHM	MCFR-26-SBX	MCR-26-SBC
KR30PPX	KR30LLH/3AS	CF12BUU	CF12UU-A	FCJSB-30	KM12UUHM	MCFR-30-SBX	MCR-30-SBC
KR32PPX	KR32LLH/3AS	CF12-1BUU	CF12-1UU-A	FCJSB-32	KM12-1UUHM	MCFR-32-SBX	MCR-32-SBC
KR35PPX	KR35LLH/3AS	CF16BUU	CF16UU-A	FCJSB-35	KM16UUHM	MCFR-35-SBX	MCR-35-SBC
KR40PPX	KR40LLH/3AS	CF18BUU	CF18UU-A	FCJSB-40	KM18UUHM	MCFR-40-SBX	MCR-40-SBC
KR47PPX	KR47LLH/3AS	CF20-1BUU	CF20-1UU-A	FCJSB-47	KM20UUHM	MCFR-47-SBX	MCR-47-SBC
KR52PPX	KR52LLH/3AS	CF20BUU	CF20UU-A	FCJSB-52	KM20-1UUHM	MCFR-52-SBX	MCR-52-SBC
KR62PPX	KR62LLH/3AS	CF24BUU	CF24UU-A	FCJSB-62	KM24UUHM	MCFR-62-SBX	MCR-62-SBC
KR72PPX	KR72LLH/3AS	CF24-1BUU	CF24-1UU-A	FCJSB-72	KM24-1UUHM	MCFR-72-SBX	MCR-72-SBC
KR80PPX	KR80LLH/3AS	CF30BUU	CF30UU-A	FCJSB-80	KM30UUHM	MCFR-80-SBX	MCR-80-SBC
KR85PPX	KR85LLH/3AS	CF30-1BUU	CF30-1UU-A	FCJSB-85	KM30-1UUHM	MCFR-85-SBX	MCR-85-SBC
KR90PPX	KR90LLH/3AS	CF30-2BUU	CF30-2UU-A	FCJSB-90	KM30-2UUHM	MCFR-90-SBX	MCR-90-SBC

Interchange of Different Brand Cam Follower

Metric Inch	With Cage Full Roller	Crowned OD Cylindrical OD	Hex Socket Slot Socket	With Seals W/O Seals	Concentric Eccentric		
INA SKF	NTN	IKO	THK	NSK	KOYO	Mc.GILL	SMITH
-	-	-	CF 5R	-	-	MCFR-13	MCR-13
KR16	KR16	CF 6R	CF 6R	FCJ-16R	KM 6RM	MCFR-16	MCR-16
KR19	KR19	CF 8R	CF 8R	FCJ-19R	KM 8RM	MCFR-19	MCR-19
-	KR22	CF10R	CF10R	FCJ-22R	KM10RM	MCFR-22	MCR-22
-	KR26	CF10-1R	CF10-1R	FCJ-26R	KM10-1RM	MCFR-26	MCR-26
-	KR30	CF12R	CF12R	FCJ-30R	KM12RM	MCFR-30	MCR-30
-	KR32	CF12-1R	CF12-1R	FCJ-32R	KM12-1RM	MCFR-32	MCR-32
-	KR35	CF16R	CF16R	FCJ-35R	KM16RM	MCFR-35	MCR-35
-	KR40	CF18R	CF18R	FCJ-40R	KM18RM	MCFR-40	MCR-40
-	KR47	CF20-1R	CF20-1R	FCJ-47R	KM20RM	MCFR-47	MCR-47
-	KR52	CF20R	CF20R	FCJ-52R	KM20-1RM	MCFR-52	MCR-52
-	KR62	CF24R	CF24R	FCJ-62R	KM24RM	MCFR-62	MCR-62
-	KR72	CF24-1R	CF24-1R	FCJ-72R	KM24-1RM	MCFR-72	MCR-72
-	KR80	CF30R	CF30R	FCJ-80R	KM30RM	MCFR-80	MCR-80
-	KR85	CF30-1R	CF30-1R	FCJ-85R	KM30-1RM	MCFR-85	MCR-85
-	KR90	CF30-2R	CF30-2R	FCJ-90R	KM30-2RM	MCFR-90	MCR-90

Metric Inch	With Cage Full Roller	Crowned OD Cylindrical OD	Hex Socket Slot Socket	With Seals W/O Seals	Concentric Eccentric		
----------------	--------------------------	------------------------------	---------------------------	-------------------------	-------------------------	--	--

INA SKF	NTN	IKO	THK	NSK	KOYO	Mc.GILL	SMITH
-	-	-	CF 5UUR	-	-	MCFR-13-S	MCR-13-S
KR16PP	KR16LL/3AS	CF 6UUR	CF 6UUR	FCJS-16R	KM 6UURM	MCFR-16-S	MCR-16-S
KR19PP	KR19LL/3AS	CF 8UUR	CF 8UUR	FCJS-19R	KM 8UURM	MCFR-19-S	MCR-19-S
-	KR22LL/3AS	CF10UUR	CF10UUR	FCJS-22R	KM10UURM	MCFR-22-S	MCR-22-S
-	KR26LL/3AS	CF10-1UUR	CF10-1UUR	FCJS-26R	KM10-1UURM	MCFR-26-S	MCR-26-S
-	KR30LL/3AS	CF12UUR	CF12UUR	FCJS-30R	KM12UURM	MCFR-30-S	MCR-30-S
-	KR32LL/3AS	CF12-1UUR	CF12-1UUR	FCJS-32R	KM12-1UURM	MCFR-32-S	MCR-32-S
-	KR35LL/3AS	CF16UUR	CF16UUR	FCJS-35R	KM16UURM	MCFR-35-S	MCR-35-S
-	KR40LL/3AS	CF18UUR	CF18UUR	FCJS-40R	KM18UURM	MCFR-40-S	MCR-40-S
-	KR47LL/3AS	CF20-1UUR	CF20-1UUR	FCJS-47R	KM20UURM	MCFR-47-S	MCR-47-S
-	KR52LL/3AS	CF20UUR	CF20UUR	FCJS-52R	KM20-1UURM	MCFR-52-S	MCR-52-S
-	KR62LL/3AS	CF24UUR	CF24UUR	FCJS-62R	KM24UURM	MCFR-62-S	MCR-62-S
-	KR72LL/3AS	CF24-1UUR	CF24-1UUR	FCJS-72R	KM24-1UURM	MCFR-72-S	MCR-72-S
-	KR80LL/3AS	CF30UUR	CF30UUR	FCJS-80R	KM30UURM	MCFR-80-S	MCR-80-S
-	KR85LL/3AS	CF30-1UUR	CF30-1UUR	FCJS-85R	KM30-1UURM	MCFR-85-S	MCR-85-S
-	KR90LL/3AS	CF30-2UUR	CF30-2UUR	FCJS-90R	KM30-2UURM	MCFR-90-S	MCR-90-S

Metric Inch	With Cage Full Roller	Crowned OD Cylindrical OD	Hex Socket Slot Socket	With Seals W/O Seals	Concentric Eccentric		
----------------	--------------------------	------------------------------	---------------------------	-------------------------	-------------------------	--	--

INA SKF	NTN	IKO	THK	NSK	KOYO	Mc.GILL	SMITH
-	-	CF 3	-	-	-	-	-
-	-	CF 4	-	-	-	-	-
-	-	CF 5	CF 5	-	-	MCFR-13-X	MCR-13-C
KR16X	KR16X	CF 6	CF 6	FCJ-16	KM 6M	MCFR-16-X	MCR-16-C
KR19X	KR19X	CF 8	CF 8	FCJ-19	KM 8M	MCFR-19-X	MCR-19-C
KR22X	KR22X	CF10	CF10	FCJ-22	KM10M	MCFR-22-X	MCR-22-C
-	KR26X	CF10-1	CF10-1	FCJ-26	KM10-1M	MCFR-26-X	MCR-26-C
-	KR30X	CF12	CF12	FCJ-30	KM12M	MCFR-30-X	MCR-30-C
-	KR32X	CF12-1	CF12-1	FCJ-32	KM12-1M	MCFR-32-X	MCR-32-C
-	KR35X	CF16	CF16	FCJ-35	KM16M	MCFR-35-X	MCR-35-C
-	KR40X	CF18	CF18	FCJ-40	KM18M	MCFR-40-X	MCR-40-C
-	KR47X	CF20-1	CF20-1	FCJ-47	KM20M	MCFR-47-X	MCR-47-C
-	KR52X	CF20	CF20	FCJ-52	KM20-1M	MCFR-52-X	MCR-52-C
-	KR62X	CF24	CF24	FCJ-62	KM24M	MCFR-62-X	MCR-62-C
-	KR72X	CF24-1	CF24-1	FCJ-72	KM24-1M	MCFR-72-X	MCR-72-C
-	KR80X	CF30	CF30	FCJ-80	KM30M	MCFR-80-X	MCR-80-C
-	KR85X	CF30-1	CF30-1	FCJ-85	KM30-1M	MCFR-85-X	MCR-85-C
-	KR90X	CF30-2	CF30-2	FCJ-90	KM30-2M	MCFR-90-X	MCR-90-C

Metric Inch	With Cage Full Roller	Crowned OD Cylindrical OD	Hex Socket Slot Socket	With Seals W/O Seals	Concentric Eccentric		
----------------	--------------------------	------------------------------	---------------------------	-------------------------	-------------------------	--	--

INA SKF	NTN	IKO	THK	NSK	KOYO	Mc.GILL	SMITH
-	-	CF 3UU	-	-	-	-	-
-	-	CF 4UU	-	-	-	-	-
-	-	CF 5UU	CF 5UU	-	-	MCFR-13-SX	MCR-13-SC
KR16PPX	KR16LL/3AS	CF 6UU	CF 6UU	FCJS-16	KM 6UUM	MCFR-16-SX	MCR-16-SC
KR19PPX	KR19LL/3AS	CF 8UU	CF 8UU	FCJS-19	KM 8UUM	MCFR-19-SX	MCR-19-SC
-	KR22LL/3AS	CF10UU	CF10UU	FCJS-22	KM10UUM	MCFR-22-SX	MCR-22-SC
-	KR26LL/3AS	CF10-1UU	CF10-1UU	FCJS-26	KM10-1UUM	MCFR-26-SX	MCR-26-SC
-	KR30LL/3AS	CF12UU	CF12UU	FCJS-30	KM12UUM	MCFR-30-SX	MCR-30-SC
-	KR32LL/3AS	CF12-1UU	CF12-1UU	FCJS-32	KM12-1UUM	MCFR-32-SX	MCR-32-SC
-	KR35LL/3AS	CF16UU	CF16UU	FCJS-35	KM16UUM	MCFR-35-SX	MCR-35-SC
-	KR40LL/3AS	CF18UU	CF18UU	FCJS-40	KM18UUM	MCFR-40-SX	MCR-40-SC
-	KR47LL/3AS	CF20-1UU	CF20-1UU	FCJS-47	KM20UUM	MCFR-47-SX	MCR-47-SC
-	KR52LL/3AS	CF20UU	CF20UU	FCJS-52	KM20-1UUM	MCFR-52-SX	MCR-52-SC
-	KR62LL/3AS	CF24UU	CF24UU	FCJS-62	KM24UUM	MCFR-62-SX	MCR-62-SC
-	KR72LL/3AS	CF24-1UU	CF24-1UU	FCJS-72	KM24-1UUM	MCFR-72-SX	MCR-72-SC
-	KR80LL/3AS	CF30UU	CF30UU	FCJS-80	KM30UUM	MCFR-80-SX	MCR-80-SC
-	KR85LL/3AS	CF30-1UU	CF30-1UU	FCJS-85	KM30-1UUM	MCFR-85-SX	MCR-85-SC
-	KR90LL/3AS	CF30-2UU	CF30-2UU	FCJS-90	KM30-2UUM	MCFR-90-SX	MCR-90-SC

Interchange of Different Brand Cam Follower

Metric Inch	With Cage Full Roller	Crowned OD Cylindrical OD	Hex Socket Slot Socket	With Seals W/O Seals	Concentric Eccentric		
INA SKF	NTN	IKO	THK	NSK	KOYO	Mc.GILL	SMITH
-	KRV10H/3AS	-	-	-	-	-	-
-	KRV12H/3AS	-	-	-	-	-	-
-	KRV13H/3AS	-	-	-	-	MCF-13-B	MCV-13-B
KRV16SK	KRV16H/3AS	CF 6VBR	-	FCRB-16R	CM 6RHM	MCF-16-B	MCV-16-B
KRV19SK	KRV19H/3AS	CF 8VBR	-	FCRB-19R	CM 8RHM	MCF-19-B	MCV-19-B
KRV22	KRV22H/3AS	CF10VBR	-	FCRB-22R	CM10RHM	MCF-22-B	MCV-22-B
KRV26	KRV26H/3AS	CF10-1VBR	-	FCRB-26R	CM10-1RHM	MCF-26-B	MCV-26-B
KRV30	KRV30H/3AS	CF12VBR	-	FCRB-30R	CM12RHM	MCF-30-B	MCV-30-B
KRV32	KRV32H/3AS	CF12-1VBR	-	FCRB-32R	CM12-1RHM	MCF-32-B	MCV-32-B
KRV35	KRV35H/3AS	CF16VBR	-	FCRB-35R	CM16RHM	MCF-35-B	MCV-35-B
KRV40	KRV40H/3AS	CF18VBR	-	FCRB-40R	CM18RHM	MCF-40-B	MCV-40-B
KRV47	KRV47H/3AS	CF20-1VBR	-	FCRB-47R	CM20RHM	MCF-47-B	MCV-47-B
KRV52	KRV52H/3AS	CF20VBR	-	FCRB-52R	CM20-1RHM	MCF-52-B	MCV-52-B
KRV62	KRV62H/3AS	CF24VBR	-	FCRB-62R	CM24RHM	MCF-62-B	MCV-62-B
KRV72	KRV72H/3AS	CF24-1VBR	-	FCRB-72R	CM24-1RHM	MCF-72-B	MCV-72-B
KRV80	KRV80H/3AS	CF30VBR	-	FCRB-80R	CM30RHM	MCF-80-B	MCV-80-B
-	-	CF30-1VBR	-	FCRB-85R	CM30-1RHM	MCF-85-B	MCV-85-B
KRV90	KRV90H/3AS	CF30-2VBR	-	FCRB-90R	CM30-2RHM	MCF-90-B	MCV-90-B

Metric Inch	With Cage Full Roller	Crowned OD Cylindrical OD	Hex Socket Slot Socket	With Seals W/O Seals	Concentric Eccentric		
INA SKF	NTN	IKO	THK	NSK	KOYO	Mc.GILL	SMITH
-	KRV10LLH/3AS	-	-	-	-	-	-
-	KRV12LLH/3AS	-	-	-	-	-	-
-	KRV13LLH/3AS	-	-	-	-	MCF-13-SB	MCV-13-SB
KRV16PPSK	KRV16LLH/3AS	CF 6VBUUR	-	FCRB-16UUR	CM 6UURHM	MCF-16-SB	MCV-16-SB
KRV19PPSK	KRV19LLH/3AS	CF 8VBUUR	-	FCRB-19UUR	CM 8UURHM	MCF-19-SB	MCV-19-SB
KRV22PP	KRV22LLH/3AS	CF10VBUUR	-	FCRB-22UUR	CM10UURHM	MCF-22-SB	MCV-22-SB
KRV26PP	KRV26LLH/3AS	CF10-1VBUUR	-	FCRB-26UUR	CM10-1UURHM	MCF-26-SB	MCV-26-SB
KRV30PP	KRV30LLH/3AS	CF12VBUUR	-	FCRB-30UUR	CM12UURHM	MCF-30-SB	MCV-30-SB
KRV32PP	KRV32LLH/3AS	CF12-1VBUUR	-	FCRB-32UUR	CM12-1UURHM	MCF-32-SB	MCV-32-SB
KRV35PP	KRV35LLH/3AS	CF16VBUUR	-	FCRB-35UUR	CM16UURHM	MCF-35-SB	MCV-35-SB
KRV40PP	KRV40LLH/3AS	CF18VBUUR	-	FCRB-40UUR	CM18UURHM	MCF-40-SB	MCV-40-SB
KRV47PP	KRV47LLH/3AS	CF20-1VBUUR	-	FCRB-47UUR	CM20UURHM	MCF-47-SB	MCV-47-SB
KRV52PP	KRV52LLH/3AS	CF20VBUUR	-	FCRB-52UUR	CM20-1UURHM	MCF-52-SB	MCV-52-SB
KRV62PP	KRV62LLH/3AS	CF24VBUUR	-	FCRB-62UUR	CM24UURHM	MCF-62-SB	MCV-62-SB
KRV72PP	KRV72LLH/3AS	CF24-1VBUUR	-	FCRB-72UUR	CM24-1UURHM	MCF-72-SB	MCV-72-SB
KRV80PP	KRV80LLH/3AS	CF30VBUUR	-	FCRB-80UUR	CM30UURHM	MCF-80-SB	MCV-80-SB
-	-	CF30-1VBUUR	-	FCRB-85UUR	CM30-1UURHM	MCF-85-SB	MCV-85-SB
KRV90PP	KRV90LLH/3AS	CF30-2VBUUR	-	FCRB-90UUR	CM30-2UURHM	MCF-90-SB	MCV-90-SB

Metric Inch	With Cage Full Roller	Crowned OD Cylindrical OD	Hex Socket Slot Socket	With Seals W/O Seals	Concentric Eccentric		
INA SKF	NTN	IKO	THK	NSK	KOYO	Mc.GILL	SMITH
-	KRV10XH/3AS	-	-	-	-	-	-
-	KRV12XH/3AS	-	-	-	-	-	-
-	KRV13XH/3AS	-	-	-	-	MCF-13-BX	MCV-13-BX
KRV16SKX	KRV16XH/3AS	CF 6VB	CF 6V-A	FCRB-16	CM 6HM	MCF-16-BX	MCV-16-BX
KRV19SKX	KRV19XH/3AS	CF 8VB	CF 8V-A	FCRB-19	CM 8HM	MCF-19-BX	MCV-19-BX
KRV22X	KRV22XH/3AS	CF10VBV	CF10V-A	FCRB-22	CM10HM	MCF-22-BX	MCV-22-BX
KRV26X	KRV26XH/3AS	CF10-1VB	CF10-1V-A	FCRB-26	CM10-1HM	MCF-26-BX	MCV-26-BX
KRV30X	KRV30XH/3AS	CF12VB	CF12V-A	FCRB-30	CM12HM	MCF-30-BX	MCV-30-BX
KRV32X	KRV32XH/3AS	CF12-1VB	CF12-1V-A	FCRB-32	CM12-1HM	MCF-32-BX	MCV-32-BX
KRV35X	KRV35XH/3AS	CF16VB	CF16V-A	FCRB-35	CM16HM	MCF-35-BX	MCV-35-BX
KRV40X	KRV40XH/3AS	CF18VB	CF18V-A	FCRB-40	CM18HM	MCF-40-BX	MCV-40-BX
KRV47X	KRV47XH/3AS	CF20-1VB	CF20-1V-A	FCRB-47	CM20HM	MCF-47-BX	MCV-47-BX
KRV52X	KRV52XH/3AS	CF20VB	CF20V-A	FCRB-52	CM20-1HM	MCF-52-BX	MCV-52-BX
KRV62X	KRV62XH/3AS	CF24VB	CF24V-A	FCRB-62	CM24HM	MCF-62-BX	MCV-62-BX
KRV72X	KRV72XH/3AS	CF24-1VB	CF24-1V-A	FCRB-72	CM24-1HM	MCF-72-BX	MCV-72-BX
KRV80X	KRV80XH/3AS	CF30VB	CF30V-A	FCRB-80	CM30HM	MCF-80-BX	MCV-80-BX
-	-	CF30-1VB	CF30-1V-A	FCRB-85	CM30-1HM	MCF-85-BX	MCV-85-BX
KRV90X	KRV90XH/3AS	CF30-2VB	CF30-2V-A	FCRB-90	CM30-2HM	MCF-90-BX	MCV-90-BX

Metric Inch	With Cage Full Roller	Crowned OD Cylindrical OD	Hex Socket Slot Socket	With Seals W/O Seals	Concentric Eccentric		
INA SKF	NTN	IKO	THK	NSK	KOYO	Mc.GILL	SMITH
-	KRV10XLLH/3AS	-	-	-	-	-	-
-	KRV12XLLH/3AS	-	-	-	-	-	-
-	KRV13XLLH/3AS	-	-	-	-	MCF-13-SBX	MCV-13-SBX
KRV16PPSKX	KRV16XLLH/3AS	CF 6VBUU	CF 6VUU-A	FCRSB-16	CM 6UUHM	MCF-16-SBX	MCV-16-SBX
KRV19PPSKX	KRV19XLLH/3AS	CF 8VBUU	CF 8VUU-A	FCRSB-19	CM 8UUHM	MCF-19-SBX	MCV-19-SBX
KRV22PPX	KRV22XLLH/3AS	CF10VBVUU	CF10VUU-A	FCRSB-22	CM10UUHM	MCF-22-SBX	MCV-22-SBX
KRV26PPX	KRV26XLLH/3AS	CF10-1VBUU	CF10-1VUU-A	FCRSB-26	CM10-1UUHM	MCF-26-SBX	MCV-26-SBX
KRV30PPX	KRV30XLLH/3AS	CF12VBUU	CF12VUU-A	FCRSB-30	CM12UUHM	MCF-30-SBX	MCV-30-SBX
KRV32PPX	KRV32XLLH/3AS	CF12-1VBUU	CF12-1VUU-A	FCRSB-32	CM12-1UUHM	MCF-32-SBX	MCV-32-SBX
KRV35PPX	KRV35XLLH/3AS	CF16VBUU	CF16VUU-A	FCRSB-35	CM16UUHM	MCF-35-SBX	MCV-35-SBX
KRV40PPX	KRV40XLLH/3AS	CF18VBUU	CF18VUU-A	FCRSB-40	CM18UUHM	MCF-40-SBX	MCV-40-SBX
KRV47PPX	KRV47XLLH/3AS	CF20-1VBUU	CF20-1VUU-A	FCRSB-47	CM20UUHM	MCF-47-SBX	MCV-47-SBX
KRV52PPX	KRV52XLLH/3AS	CF20VBUU	CF20VUU-A	FCRSB-52	CM20-1UUHM	MCF-52-SBX	MCV-52-SBX
KRV62PPX	KRV62XLLH/3AS	CF24VBUU	CF24VUU-A	FCRSB-62	CM24UUHM	MCF-62-SBX	MCV-62-SBX
KRV72PPX	KRV72XLLH/3AS	CF24-1VBUU	CF24-1VUU-A	FCRSB-72	CM24-1UUHM	MCF-72-SBX	MCV-72-SBX
KRV80PPX	KRV80XLLH/3AS	CF30VBUU	CF30VUU-A	FCRSB-80	CM30UUHM	MCF-80-SBX	MCV-80-SBX
-	-	CF30-1VBUU	CF30-1VUU-A	FCRSB-85	CM30-1UUHM	MCF-85-SBX	MCV-85-SBX
KRV90PPX	KRV90XLLH/3AS	CF30-2VBUU	CF30-2VUU-A	FCRSB-90	CM30-2UUHM	MCF-90-SBX	MCV-90-SBX

Interchange of Different Brand Cam Follower

Metic Inch	With Cage Full Roller	Crowned OD Cylindrical OD	Hex Socket Slot Socket	With Seals W/O Seals	Concentric Eccentric		
INA SKF	NTN	IKO	THK	NSK	KOYO	Mc.GILL	SMITH
-	-	-	-	-	-	MCF-13	MCV-13
KRV16	KRV16/3AS	CF 6VR	-	FCR-16R	CM 6RM	MCF-16	MCV-16
KRV19	KRV19/3AS	CF 8VR	-	FCR-19R	CM 8RM	MCF-19	MCV-19
-	KRV22/3AS	CF10VR	-	FCR-22R	CM10RM	MCF-22	MCV-22
-	KRV26/3AS	CF10-1VR	-	FCR-26R	CM10-1RM	MCF-26	MCV-26
-	KRV30/3AS	CF12VR	-	FCR-30R	CM12RM	MCF-30	MCV-30
-	KRV32/3AS	CF12-1VR	-	FCR-32R	CM12-1RM	MCF-32	MCV-32
-	KRV35/3AS	CF16VR	-	FCR-35R	CM16RM	MCF-35	MCV-35
-	KRV40/3AS	CF18VR	-	FCR-40R	CM18RM	MCF-40	MCV-40
-	KRV47/3AS	CF20-1VR	-	FCR-47R	CM20RM	MCF-47	MCV-47
-	KRV52/3AS	CF20VR	-	FCR-52R	CM20-1RM	MCF-52	MCV-52
-	KRV62/3AS	CF24VR	-	FCR-62R	CM24RM	MCF-62	MCV-62
-	KRV72/3AS	CF24-1VR	-	FCR-72R	CM24-1RM	MCF-72	MCV-72
-	KRV80/3AS	CF30VR	-	FCR-80R	CM30RM	MCF-80	MCV-80
-	-	CF30-1VR	-	FCR-85R	CM30-1RM	MCF-85	MCV-85
-	KRV90/3AS	CF30-2VR	-	FCR-90R	CM30-2RM	MCF-90	MCV-90

Metic Inch	With Cage Full Roller	Crowned OD Cylindrical OD	Hex Socket Slot Socket	With Seals W/O Seals	Concentric Eccentric		
---------------	--------------------------	------------------------------	---------------------------	-------------------------	-------------------------	--	--

INA SKF	NTN	IKO	THK	NSK	KOYO	Mc.GILL	SMITH
-	-	-	-	-	-	MCF-13-S	MCV-13-S
KRV16PP	KRV16LL/3AS	CF 6UUUR	-	FCRS-16R	CM 6UURM	MCF-16-S	MCV-16-S
KRV19PP	KRV19LL/3AS	CF 8UUUR	-	FCRS-19R	CM 8UURM	MCF-19-S	MCV-19-S
-	KRV22LL/3AS	CF10UUUR	-	FCRS-22R	CM10UUURM	MCF-22-S	MCV-22-S
-	KRV26LL/3AS	CF10-1UUUR	-	FCRS-26R	CM10-1UUURM	MCF-26-S	MCV-26-S
-	KRV30LL/3AS	CF12UUUR	-	FCRS-30R	CM12UUURM	MCF-30-S	MCV-30-S
-	KRV32LL/3AS	CF12-1UUUR	-	FCRS-32R	CM12-1UUURM	MCF-32-S	MCV-32-S
-	KRV35LL/3AS	CF16UUUR	-	FCRS-35R	CM16UUURM	MCF-35-S	MCV-35-S
-	KRV40LL/3AS	CF18UUUR	-	FCRS-40R	CM18UUURM	MCF-40-S	MCV-40-S
-	KRV47LL/3AS	CF20-1UUUR	-	FCRS-47R	CM20UUURM	MCF-47-S	MCV-47-S
-	KRV52LL/3AS	CF20UUUR	-	FCRS-52R	CM20-1UUURM	MCF-52-S	MCV-52-S
-	KRV62LL/3AS	CF24UUUR	-	FCRS-62R	CM24UUURM	MCF-62-S	MCV-62-S
-	KRV72LL/3AS	CF24-1UUUR	-	FCRS-72R	CM24-1UUURM	MCF-72-S	MCV-72-S
-	KRV80LL/3AS	CF30UUUR	-	FCRS-80R	CM30UUURM	MCF-80-S	MCV-80-S
-	-	CF30-1UUUR	-	FCRS-85R	CM30-1UUURM	MCF-85-S	MCV-85-S
-	KRV90LL/3AS	CF30-2UUUR	-	FCRS-90R	CM30-2UUURM	MCF-90-S	MCV-90-S

Metic Inch	With Cage Full Roller	Crowned OD Cylindrical OD	Hex Socket Slot Socket	With Seals W/O Seals	Concentric Eccentric		
---------------	--------------------------	------------------------------	---------------------------	-------------------------	-------------------------	--	--

INA SKF	NTN	IKO	THK	NSK	KOYO	Mc.GILL	SMITH
-	-	-	-	-	-	MCF-13-X	MCV-13-C
KRV16X	KRV16X/3AS	CF 6V	-	FCR-16	CM 6M	MCF-16-X	MCV-16-C
KRV19X	KRV19X/3AS	CF 8V	-	FCR-19	CM 8M	MCF-19-X	MCV-19-C
-	KRV22X/3AS	CF10V	-	FCR-22	CM10M	MCF-22-X	MCV-22-C
-	KRV26X/3AS	CF10-1V	-	FCR-26	CM10-1M	MCF-26-X	MCV-26-C
-	KRV30X/3AS	CF12V	-	FCR-30	CM12M	MCF-30-X	MCV-30-C
-	KRV32X/3AS	CF12-1V	-	FCR-32	CM12-1M	MCF-32-X	MCV-32-C
-	KRV35X/3AS	CF16V	-	FCR-35	CM16M	MCF-35-X	MCV-35-C
-	KRV40X/3AS	CF18V	-	FCR-40	CM18M	MCF-40-X	MCV-40-C
-	KRV47X/3AS	CF20-1V	-	FCR-47	CM20M	MCF-47-X	MCV-47-C
-	KRV52X/3AS	CF20V	-	FCR-52	CM20-1M	MCF-52-X	MCV-52-C
-	KRV62X/3AS	CF24V	-	FCR-62	CM24M	MCF-62-X	MCV-62-C
-	KRV72X/3AS	CF24-1V	-	FCR-72	CM24-1M	MCF-72-X	MCV-72-C
-	KRV80X/3AS	CF30V	-	FCR-80	CM30M	MCF-80-X	MCV-80-C
-	-	CF30-1V	-	FCR-85	CM30-1M	MCF-85-X	MCV-85-C
-	KRV90X/3AS	CF30-2V	-	FCR-90	CM30-2M	MCF-90-X	MCV-90-C

Metic Inch	With Cage Full Roller	Crowned OD Cylindrical OD	Hex Socket Slot Socket	With Seals W/O Seals	Concentric Eccentric		
---------------	--------------------------	------------------------------	---------------------------	-------------------------	-------------------------	--	--

INA SKF	NTN	IKO	THK	NSK	KOYO	Mc.GILL	SMITH
-	-	-	-	-	-	MCF-13-SX	MCV-13-SC
KRV16PPX	KRV16XLL/3AS	CF 6UUU	-	FCRS-16	CM 6UUUM	MCF-16-SX	MCV-16-SC
KRV19PPX	KRV19XLL/3AS	CF 8UUU	-	FCRS-19	CM 8UUUM	MCF-19-SX	MCV-19-SC
-	KRV22XLL/3AS	CF10UUU	-	FCRS-22	CM10UUUM	MCF-22-SX	MCV-22-SC
-	KRV26XLL/3AS	CF10-1UUU	-	FCRS-26	CM10-1UUUM	MCF-26-SX	MCV-26-SC
-	KRV30XLL/3AS	CF12UUU	-	FCRS-30	CM12UUUM	MCF-30-SX	MCV-30-SC
-	KRV32XLL/3AS	CF12-1UUU	-	FCRS-32	CM12-1UUUM	MCF-32-SX	MCV-32-SC
-	KRV35XLL/3AS	CF16UUU	-	FCRS-35	CM16UUUM	MCF-35-SX	MCV-35-SC
-	KRV40XLL/3AS	CF18UUU	-	FCRS-40	CM18UUUM	MCF-40-SX	MCV-40-SC
-	KRV47XLL/3AS	CF20-1UUU	-	FCRS-47	CM20UUUM	MCF-47-SX	MCV-47-SC
-	KRV52XLL/3AS	CF20UUU	-	FCRS-52	CM20-1UUUM	MCF-52-SX	MCV-52-SC
-	KRV62XLL/3AS	CF24UUU	-	FCRS-62	CM24UUUM	MCF-62-SX	MCV-62-SC
-	KRV72XLL/3AS	CF24-1UUU	-	FCRS-72	CM24-1UUUM	MCF-72-SX	MCV-72-SC
-	KRV80XLL/3AS	CF30UUU	-	FCRS-80	CM30UUUM	MCF-80-SX	MCV-80-SC
-	-	CF30-1UUU	-	FCRS-85	CM30-1UUUM	MCF-85-SX	MCV-85-SC
-	KRV90XLL/3AS	CF30-2UUU	-	FCRS-90	CM30-2UUUM	MCF-90-SX	MCV-90-SC

Inerchange of Different Brand Cam Follower

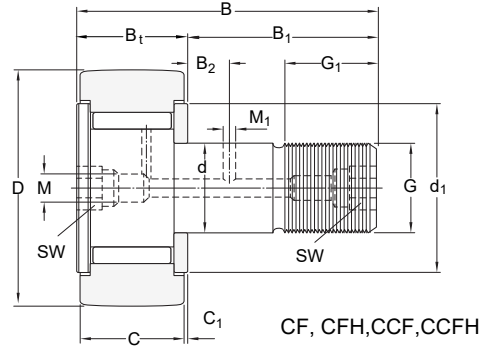
Metic	With Cage	Crowned OD	Hex Socket	With Seals	Concentric		
Inch	Full Roller	Cylindrical OD	Slot Socket	W/O Seals	Eccentric		

INA SKF	NTN	IKO	THK	NSK	KOYO	Mc.GILL	SMITH
KRE16PPSK	-	CFE 6BUUR	-	FCJSBE-16R	-	MCFRE-16-SB	MCR-16-SCE
KRE19PPSK	-	CFE 8BUUR	-	FCJSBE-19R	-	MCFRE-19-SB	MCR-19-SCE
KRE22PP	-	CFE10BUUR	-	FCJSBE-22R	-	MCFRE-22-SB	MCR-22-SCE
KRE26PP	-	CFE10-1BUUR	-	FCJSBE-26R	-	MCFRE-26-SB	MCR-26-SCE
KRE30PP	-	CFE12BUUR	-	FCJSBE-30R	-	MCFRE-30-SB	MCR-30-SCE
KRE32PP	-	CFE12-1BUUR	-	FCJSBE-32R	-	MCFRE-32-SB	MCR-32-SCE
KRE35PP	-	CFE16BUUR	-	FCJSBE-35R	-	MCFRE-35-SB	MCR-35-SCE
KRE40PP	-	CFE18BUUR	-	FCJSBE-40R	-	MCFRE-40-SB	MCR-40-SCE
KRE47PP	-	CFE20-1BUUR	-	FCJSBE-47R	-	MCFRE-47-SB	MCR-47-SCE
KRE52PP	-	CFE20BUUR	-	FCJSBE-52R	-	MCFRE-52-SB	MCR-52-SCE
KRE62PP	-	CFE24BUUR	-	FCJSBE-62R	-	MCFRE-62-SB	MCR-62-SCE
KRE72PP	-	CFE24-1BUUR	-	FCJSBE-72R	-	MCFRE-72-SB	MCR-72-SCE
KRE80PP	-	CFE30BUUR	-	FCJSBE-80R	-	MCFRE-80-SB	MCR-80-SCE
-	-	CFE30-1BUUR	-	FCJSBE-85R	-	MCFRE-85-SB	MCR-85-SCE
KRE90PP	-	CFE30-2BUUR	-	FCJSBE-90R	-	MCFRE-90-SB	MCR-90-SCE

Metic	With Cage	Crowned OD	Hex Socket	With Seals	Concentric		
Inch	Full Roller	Cylindrical OD	Slot Socket	W/O Seals	Eccentric		

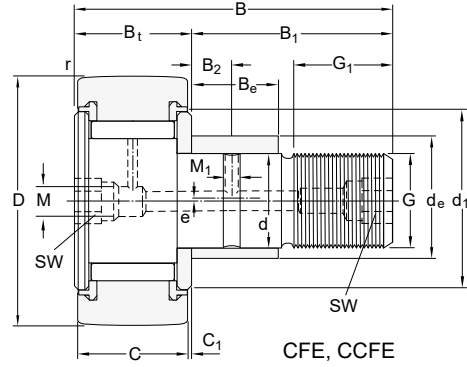
INA SKF	NTN	IKO	THK	NSK	KOYO	Mc.GILL	SMITH
KRVE16PPSK	-	CFE 6VBUUR	-	FCSRBE-16R	-	MCFE-16-SB	MCV-16-SCE
KRVE19PPSK	-	CFE 8VBUUR	-	FCSRBE-19R	-	MCFE-19-SB	MCV-19-SCE
KRVE22PP	-	CFE10VBUUR	-	FCSRBE-22R	-	MCFE-22-SB	MCV-22-SCE
KRVE26PP	-	CFE10-1VBUUR	-	FCSRBE-26R	-	MCFE-26-SB	MCV-26-SCE
KRVE30PP	-	CFE12VBUUR	-	FCSRBE-30R	-	MCFE-30-SB	MCV-30-SCE
KRVE32PP	-	CFE12-1VBUUR	-	FCSRBE-32R	-	MCFE-32-SB	MCV-32-SCE
KRVE35PP	-	CFE16VBUUR	-	FCSRBE-35R	-	MCFE-35-SB	MCV-35-SCE
KRVE40PP	-	CFE18VBUUR	-	FCSRBE-40R	-	MCFE-40-SB	MCV-40-SCE
KRVE47PP	-	CFE20-1VBUUR	-	FCSRBE-47R	-	MCFE-47-SB	MCV-47-SCE
KRVE52PP	-	CFE20VBUUR	-	FCSRBE-52R	-	MCFE-52-SB	MCV-52-SCE
KRVE62PP	-	CFE24VBUUR	-	FCSRBE-62R	-	MCFE-62-SB	MCV-62-SCE
KRVE72PP	-	CFE24-1VBUUR	-	FCSRBE-72R	-	MCFE-72-SB	MCV-72-SCE
KRVE80PP	-	CFE30VBUUR	-	FCSRBE-80R	-	MCFE-80-SB	MCV-80-SCE
-	-	CFE30-1VBUUR	-	FCSRBE-85R	-	MCFE-85-SB	MCV-85-SCE
KRVE90PP	-	CFE30-2VBUUR	-	FCSRBE-90R	-	MCFE-90-SB	MCV-90-SCE

Inch Cam Followers



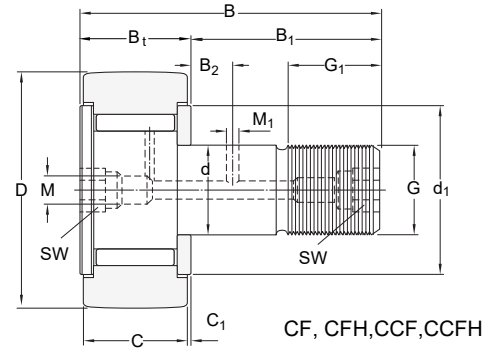
CF, CFH, CCF, CCFH

Designation		D		C		d		B ₁	C ₁	G ₁	B	R	e	Be	de	Max. dynamic radial loads	Max. static radial loads
W/O Seals	With Seals	Outside diameter		Outer ring width		Stud diameter		Stud length	Distance outer ring face to washer face	Min thread length	Total length	Crown	Eccentric				
												Prefix CCF-XX	Base modifier CFE-XX				
		inch mm	inch mm	inch mm	inch mm	inch mm	inch mm	inch mm	inch mm	inch mm	inch mm	inch mm	inch mm	inch mm	inch mm	inch mm	lb/N
		Nom.	Tol.	Nom.	Tol.	Nom.	Tol.	(Ref)	(Ref)	(Ref)	(Ref)	Radius (Ref)	(Ref)	+0/-0.010	±.001	Fr	For
CF 1/2	CF 1/2 S											Cylindrical					
CF 1/2 B	CF 1/2 SB	.500	+0/-0.001	.375	+0 / -.005	.190	+0.001/0	.63	.031	.25	1.03		N/A	N/A	N/A	680	790
CCF 1/2	CCF 1/2 S	12.70	+0/-0.03	9.53	+0 / -.13	4.83	+0.03/0	15.9	.8	6.4	26.2	7				3,025	3,514
CCF 1/2 B	CCF 1/2 SB											178					
CFE 1/2	CFE 1/2 S											Cylindrical					
CFE 1/2 B	CFE 1/2 SB	.500	+0/-0.001	.375	+0 / -.005	.190	+0.001/0	.63	.031	.25	1.03		.010	.375	.250	680	790
CCFE 1/2	CCFE 1/2 S	12.70	+0/-0.03	9.53	+0 / -.13	4.83	+0.03/0	15.9	.8	6.4	26.2	7	.25	9.53	6.35	3,025	3,514
CCFE 1/2 B	CCFE 1/2 SB											178					
CFH 1/2	CFH 1/2 S											Cylindrical					
CFH 1/2 B	CFH 1/2 SB	.500	+0/-0.001	.375	+0 / -.005	.190	+0.001/0	.63	.031	.25	1.03		N/A	N/A	N/A	680	1,580
CCFH 1/2	CCFH 1/2 S	12.70	+0/-0.03	9.53	+0 / -.13	4.83	+0.03/0	15.9	.8	6.4	26.2	7				3,025	7,028
CCFH 1/2 B	CCFH 1/2 SB											178					
CF 1/2 N	CF 1/2 N S											Cylindrical					
CF 1/2 N B	CF 1/2 N SB	.500	+0/-0.001	.344	+0 / -.005	.190	+0.001/0	.50	.031	.25	.88		N/A	N/A	N/A	620	720
CCF 1/2 N	CCF 1/2 N S	12.70	+0/-0.03	8.74	+0 / -.13	4.83	+0.03/0	12.7	.8	6.4	22.2	6				2,758	3,203
CCF 1/2 N B	CCF 1/2 N SB											152					
CFE 1/2 N	CFE 1/2 N S											Cylindrical					
CFE 1/2 N B	CFE 1/2 N SB	.500	+0/-0.001	.344	+0 / -.005	.190	+0.001/0	.50	.031	.25	.88		.010	.250	.250	620	720
CCFE 1/2 N	CCFE 1/2 N S	12.70	+0/-0.03	8.74	+0 / -.13	4.83	+0.03/0	12.7	.8	6.4	22.2	6	.25	6.35	6.35	2,758	3,203
CCFE 1/2 N B	CCFE 1/2 N SB											152					
CF 9/16	CF 9/16 S											Cylindrical					
CF 9/16 B	CF 9/16 SB	.5625	+0/-0.001	.375	+0 / -.005	.190	+0.001/0	.63	.031	.25	1.03		N/A	N/A	N/A	680	790
CCF 9/16	CCF 9/16 S	14.29	+0/-0.03	9.53	+0 / -.13	4.83	+0.03/0	15.9	.8	6.4	26.2	7				3,025	3,514
CCF 9/16 B	CCF 9/16 SB											178					
CFE 9/16	CFE 9/16 S											Cylindrical					
CFE 9/16 B	CFE 9/16 SB	.5625	+0/-0.001	.375	+0 / -.005	.190	+0.001/0	.63	.031	.25	1.03		.010	.375	.250	680	790
CCFE 9/16	CCFE 9/16 S	14.29	+0/-0.03	9.53	+0 / -.13	4.83	+0.03/0	15.9	.8	6.4	26.2	7	.25	9.53	6.35	3,025	3,514
CCFE 9/16 B	CCFE 9/16 SB											178					
CFH 9/16	CFH 9/16 S											Cylindrical					
CFH 9/16 B	CFH 9/16 SB	.5625	+0/-0.001	.375	+0 / -.005	.250	+0.001/0	.63	.031	.25	1.03		N/A	N/A	N/A	680	1,580
CCFH 9/16	CCFH 9/16 S	14.29	+0/-0.03	9.53	+0 / -.13	6.35	+0.03/0	15.9	.8	6.4	26.2	7				3,025	7,028
CCFH 9/16 B	CCFH 9/16 SB											178					
CF 5/8	CF 5/8 S											Cylindrical					
CF 5/8 B	CF 5/8 SB	.625	+0/-0.001	.438	+0 / -.005	.250	+0.001/0	.75	.031	.31	1.22		N/A	N/A	N/A	955	1,215
CCF 5/8	CCF 5/8 S	15.88	+0/-0.03	11.11	+0 / -.13	6.35	+0.03/0	19.1	.8	7.9	31.0	8				4,248	5,404
CCF 5/8 B	CCF 5/8 SB											203					
CFE 5/8	CFE 5/8 S											Cylindrical					
CFE 5/8 B	CFE 5/8 SB	.625	+0/-0.001	.438	+0 / -.005	.250	+0.001/0	.75	.031	.31	1.22		.015	.437	.375	930	1,085
CCFE 5/8	CCFE 5/8 S	15.88	+0/-0.03	11.11	+0 / -.13	6.35	+0.03/0	19.1	.8	7.9	31.0	8	.38	11.10	9.53	4,137	4,826
CCFE 5/8 B	CCFE 5/8 SB											203					
CFH 5/8	CFH 5/8 S											Cylindrical					
CFH 5/8 B	CFH 5/8 SB	.625	+0/-0.001	.438	+0 / -.005	.3125	+0.001/0	.75	.031	.31	1.22		N/A	N/A	N/A	955	2,480
CCFH 5/8	CCFH 5/8 S	15.88	+0/-0.03	11.11	+0 / -.13	7.94	+0.03/0	19.1	.8	7.9	31.0	8				4,248	11,031
CCFH 5/8 B	CCFH 5/8 SB											203					
CF 5/8 N	CF 5/8 N S											Cylindrical					
CF 5/8 N B	CF 5/8 N SB	.625	+0/-0.001	.406	+0 / -.005	.250	+0.001/0	.63	.031	.31	1.06		N/A	N/A	N/A	930	1,085
CCF 5/8 N	CCF 5/8 N S	15.88	+0/-0.03	10.31	+0 / -.13	6.35	+0.03/0	15.9	.8	7.9	27.0	7				4,137	4,826
CCF 5/8 N B	CCF 5/8 N SB											178					
CFE 5/8 N	CFE 5/8 N S											Cylindrical					
CFE 5/8 N B	CFE 5/8 N SB	.625	+0/-0.001	.406	+0 / -.005	.250	+0.001/0	.63	.031	.31	1.06		.015	.437	.375	930	1,085
CCFE 5/8 N	CCFE 5/8 N S	15.88	+0/-0.03	10.31	+0 / -.13	6.35	+0.03/0	15.9	.8	7.9	27.0	7	.38	11.10	9.53	4,137	4,826
CCFE 5/8 N B	CCFE 5/8 N SB											178					
CF 11/16	CF 11/16 S											Cylindrical					
CF 11/16 B	CF 11/16 SB	.688	+0/-0.001	.438	+0 / -.005	.250	+0.001/0	.75	.031	.31	1.22		N/A	N/A	N/A	955	1,215
CCF 11/16	CCF 11/16 S	17.46	+0/-0.03	11.11	+0 / -.13	6.35	+0.03/0	19.1	.8	7.9	31.0	8				4,248	5,404
CCF 11/16 B	CCF 11/16 SB											203					
CFE 11/16	CFE 11/16 S											Cylindrical					
CFE 11/16 B	CFE 11/16 SB	.688	+0/-0.001	.438	+0 / -.005	.250	+0.001/0	.75	.031	.31	1.22		.015	.437	.375	930	1,085
CCFE 11/16	CCFE 11/16 S	17.46	+0/-0.03	11.11	+0 / -.13	6.35	+0.03/0	19.1	.8	7.9	31.0	8	.38	11.10	9.53	4,137	4,826
CCFE 11/16 B	CCFE 11/16 SB											203					

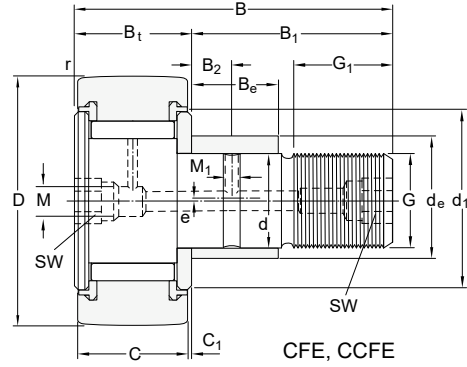


B ₂	M ₁	SW	d ₁	r	HBD		G	M _A	nDG	Mass	Designation	
Distance lubrication hole to washer face	Diameter of lubrication hole (shank)	Width of flats	Thrust washer outside diameter	Minimum Fillet radius	Housing Bore Diameter		Thread Type	Clamping Torque	Limiting Speed (Grease)	Bearing Weight	W/O Seals	With Seals
inch mm			inch mm		inch mm			in-lb Nm	RPM	lb kg		
(Ref)	(Ref)	(Ref)	(Ref)	(Ref)	Nom.	Tol.						
-	-	.125 3.175	.410 10.41	.016 .40	.1903 4.834	+0.002/-0.003 +0.0005/-0.0008	10-32	15 2	11,500	.04 .02	CF 1/2	CF 1/2 S
				N/A							CF 1/2 B	CF 1/2 SB
-	-	.125 3.175	.410 10.41	.016 .40	.253 6.42	+0.001/-0.001 +0.025/-0.025	10-32	15 2	11,500	.04 .02	CFE 1/2	CFE 1/2 S
				N/A							CFE 1/2 B	CFE 1/2 SB
-	-	.125 3.175	.410 10.41	.016 .40	.2503 6.358	+0.0002/-0.0003 +0.0005/-0.0008	1/4-28	35 4	11,500	.04 .02	CCFH 1/2	CCFH 1/2 S
				N/A							CCFH 1/2 B	CCFH 1/2 SB
-	-	.125 3.175	.410 10.41	.016 .40	.1903 4.834	+0.0002/-0.0003 +0.0005/-0.0008	10-32	15 2	11,500	.04 .02	CCF 1/2 N	CCF 1/2 N S
				N/A							CCF 1/2 N B	CCF 1/2 N SB
-	-	.125 3.175	.410 10.41	.016 .40	.253 6.42	+0.001/-0.001 +0.025/-0.025	10-32	15 2	11,500	.04 .02	CCF 1/2 N B	CCF 1/2 N SB
				N/A							CCF 1/2 N S	CCF 1/2 N SB
-	-	.125 3.175	.410 10.41	.016 .40	.1903 4.834	+0.0002/-0.0003 +0.0005/-0.0008	10-32	15 2	10,000	.04 .02	CFE 9/16	CFE 9/16 S
				N/A							CFE 9/16 B	CFE 9/16 SB
-	-	.125 3.175	.410 10.41	.016 .40	.253 6.42	+0.001/-0.001 +0.025/-0.025	10-32	15 2	10,000	.04 .02	CCFE 9/16	CCFE 9/16 S
				N/A							CCFE 9/16 B	CCFE 9/16 SB
-	-	.125 3.175	.410 10.41	.016 .40	.2503 6.358	+0.0002/-0.0003 +0.0005/-0.0008	1/4-28	35 4	10,000	.04 .02	CFH 9/16	CFH 9/16 S
				N/A							CFH 9/16 B	CFH 9/16 SB
-	-	.125 3.175	.462 11.73	.016 .40	.2503 6.358	+0.0002/-0.0003 +0.0005/-0.0008	1/4-28	35 4	9,200	.05 .02	CCFH 9/16	CCFH 9/16 S
				N/A							CCFH 9/16 B	CCFH 9/16 SB
-	-	.125 3.175	.462 11.73	.016 .40	.378 9.60	+0.001/-0.001 +0.025/-0.025	1/4-28	35 4	9,200	.05 .02	CF 5/8	CF 5/8 S
				N/A							CF 5/8 B	CF 5/8 SB
-	-	.125 3.175	.462 11.73	.016 .40	.3128 7.945	+0.0002/-0.0003 +0.0005/-0.0008	5/16-24	90 10	9,200	.05 .02	CCF 5/8	CCF 5/8 S
				N/A							CCF 5/8 B	CCF 5/8 SB
-	-	.125 3.175	.462 11.73	.016 .40	.2503 6.358	+0.0002/-0.0003 +0.0005/-0.0008	1/4-28	35 4	9,200	.05 .02	CCFH 5/8	CCFH 5/8 S
				N/A							CCFH 5/8 B	CCFH 5/8 SB
-	-	.125 3.175	.462 11.73	.016 .40	.2503 6.358	+0.0002/-0.0003 +0.0005/-0.0008	1/4-28	35 4	9,200	.05 .02	CF 5/8 N	CF 5/8 N S
				N/A							CF 5/8 N B	CF 5/8 N SB
-	-	.125 3.175	.462 11.73	.016 .40	.2503 6.358	+0.0002/-0.0003 +0.0005/-0.0008	1/4-28	35 4	9,200	.05 .02	CCF 5/8 N	CCF 5/8 N S
				N/A							CCF 5/8 N B	CCF 5/8 N SB
-	-	.125 3.175	.462 11.73	.016 .40	.2503 6.358	+0.0002/-0.0003 +0.0005/-0.0008	1/4-28	35 4	8,300	.06 .03	CFE 5/8 N	CFE 5/8 N S
				N/A							CFE 5/8 N B	CFE 5/8 N SB
-	-	.125 3.175	.462 11.73	.016 .40	.2503 6.358	+0.0002/-0.0003 +0.0005/-0.0008	1/4-28	35 4	8,300	.06 .03	CCFE 5/8	CCFE 5/8 S
				N/A							CCFE 5/8 B	CCFE 5/8 SB
-	-	.125 3.175	.462 11.73	.016 .40	.2503 6.358	+0.0002/-0.0003 +0.0005/-0.0008	1/4-28	35 4	8,300	.06 .03	CFH 5/8	CFH 5/8 S
				N/A							CFH 5/8 B	CFH 5/8 SB
-	-	.125 3.175	.462 11.73	.016 .40	.2503 6.358	+0.0002/-0.0003 +0.0005/-0.0008	1/4-28	35 4	8,300	.06 .03	CCFH 5/8	CCFH 5/8 S
				N/A							CCFH 5/8 B	CCFH 5/8 SB
-	-	.125 3.175	.462 11.73	.016 .40	.2503 6.358	+0.0002/-0.0003 +0.0005/-0.0008	1/4-28	35 4	8,300	.06 .03	CF 11/16	CF 11/16 S
				N/A							CF 11/16 B	CF 11/16 SB
-	-	.125 3.175	.462 11.73	.016 .40	.378 9.60	+0.001/-0.001 +0.025/-0.025	1/4-28	35 4	8,300	.06 .03	CCF 11/16	CCF 11/16 S
				N/A							CCF 11/16 B	CCF 11/16 SB
-	-	.125 3.175	.462 11.73	.016 .40	.378 9.60	+0.001/-0.001 +0.025/-0.025	1/4-28	35 4	8,300	.06 .03	CFE 11/16	CFE 11/16 S
				N/A							CFE 11/16 B	CFE 11/16 SB
-	-	.125 3.175	.462 11.73	.016 .40	.378 9.60	+0.001/-0.001 +0.025/-0.025	1/4-28	35 4	8,300	.06 .03	CCFE 11/16	CCFE 11/16 S
				N/A							CCFE 11/16 B	CCFE 11/16 SB

Inch Cam Followers

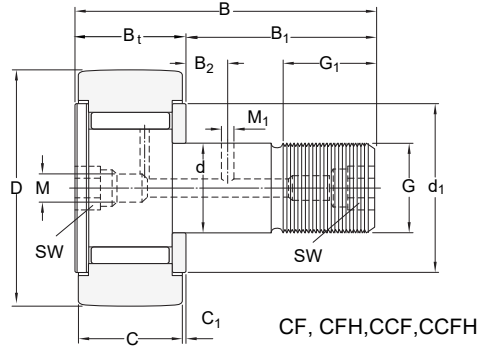


Designation	W/O Seals	With Seals	D		C		d		B _t	C ₁	G ₁	B	R	e	Be	de	Max. dynamic radial loads	Max. static radial loads	
			Outside diameter		Outer ring width		Stud diameter		Stud length	Distance outer ring face to washer face	Min thread length	Total length	Crown	Eccentric					
			inch mm		inch mm		inch mm		inch mm	inch mm	inch mm	inch mm	inch mm	Base modifier CFE-XX					
			Nom.	Tol.	Nom.	Tol.	Nom.	Tol.	(Ref)	(Ref)	(Ref)	(Ref)	Radius (Ref)	(Ref)	+0/- .010	± .001			Fr
CFH 11/16	CFH 11/16 S											Cylindrical					955 4,248	2,480 11,031	
CFH 11/16 B	CFH 11/16 SB	.688	+0/- .001	.438	+0 / -.005	.3125	+ .001/-0	.75	.031	.31	1.22	8 203	N/A	N/A	N/A				
CCFH 11/16	CCFH 11/16 S	17.46	+0/- .03	11.11	+0 / -.13	7.94	+ .03/-0	19.1	.8	7.9	31.0								
CCFH 11/16 B	CCFH 11/16 SB																		
CF 3/4	CF 3/4 S											Cylindrical					1,660 7,384	2,065 9,185	
CF 3/4 B	CF 3/4 SB	.750	+0/- .001	.500	+0 / -.005	.375	+ .001/-0	.88	.031	.38	1.41	10 254	N/A	N/A	N/A				
CCF 3/4	CCF 3/4 S	19.05	+0/- .03	12.70	+0 / -.13	9.53	+ .03/-0	22.2	.8	9.5	35.7								
CCF 3/4 B	CCF 3/4 SB																		
CFE 3/4	CFE 3/4 S											Cylindrical	.015	.500	.500				
CFE 3/4 B	CFE 3/4 SB	.750	+0/- .001	.500	+0 / -.005	.375	+ .001/-0	.88	.031	.38	1.41	10 254	.38	12.70	12.70				
CCFE 3/4	CCFE 3/4 S	19.05	+0/- .03	12.70	+0 / -.13	9.53	+ .03/-0	22.2	.8	9.5	35.7								
CCFE 3/4 B	CCFE 3/4 SB																		
CFH 3/4	CFH 3/4 S											Cylindrical					1,660 7,384	4,130 18,370	
CFH 3/4 B	CFH 3/4 SB	.750	+0/- .001	.500	+0 / -.005	.4375	+ .001/-0	.88	.031	.38	1.41	10 254	N/A	N/A	N/A				
CCFH 3/4	CCFH 3/4 S	19.05	+0/- .03	12.70	+0 / -.13	11.11	+ .03/-0	22.2	.8	9.5	35.7								
CCFH 3/4 B	CCFH 3/4 SB																		
CF 7/8	CF 7/8 S											Cylindrical					1,660 7,384	2,065 9,185	
CF 7/8 B	CF 7/8 SB	.875	+0/- .001	.500	+0 / -.005	.375	+ .001/-0	.88	.031	.38	1.41	10 254	N/A	N/A	N/A				
CCF 7/8	CCF 7/8 S	22.23	+0/- .03	12.70	+0 / -.13	9.53	+ .03/-0	22.2	.8	9.5	35.7								
CCF 7/8 B	CCF 7/8 SB																		
CFE 7/8	CFE 7/8 S											Cylindrical	.015	.500	.500				
CFE 7/8 B	CFE 7/8 SB	.875	+0/- .001	.500	+0 / -.005	.375	+ .001/-0	.88	.031	.38	1.41	10 254	.38	12.70	12.70				
CCFE 7/8	CCFE 7/8 S	22.23	+0/- .03	12.70	+0 / -.13	9.53	+ .03/-0	22.2	.8	9.5	35.7								
CCFE 7/8 B	CCFE 7/8 SB																		
CFH 7/8	CFH 7/8 S											Cylindrical					1,660 7,384	4,130 18,370	
CFH 7/8 B	CFH 7/8 SB	.875	+0/- .001	.500	+0 / -.005	.4375	+ .001/-0	.88	.031	.38	1.41	10 254	N/A	N/A	N/A				
CCFH 7/8	CCFH 7/8 S	22.23	+0/- .03	12.70	+0 / -.13	11.11	+ .03/-0	22.2	.8	9.5	35.7								
CCFH 7/8 B	CCFH 7/8 SB																		
CF 1	CF 1 S											Cylindrical					2,225 9,897	3,060 13,611	
CF 1 B	CF 1 SB	1.000	+0/- .001	.625	+0 / -.005	.4375	+ .001/-0	1.00	.031	.50	1.66	12 305	N/A	N/A	N/A				
CCF 1	CCF 1 S	25.40	+0/- .03	15.88	+0 / -.13	11.11	+ .03/-0	25.4	.8	12.7	42.1								
CCF 1 B	CCF 1 SB																		
CFE 1	CFE 1 S											Cylindrical	.030	.500	.625				
CFE 1 B	CFE 1 SB	1.000	+0/- .001	.625	+0 / -.005	.4375	+ .001/-0	1.00	.031	.50	1.66	12 305	.76	12.70	15.88				
CCFE 1	CCFE 1 S	25.40	+0/- .03	15.88	+0 / -.13	11.11	+ .03/-0	25.4	.8	12.7	42.1								
CCFE 1 B	CCFE 1 SB																		
CFH 1	CFH 1 S											Cylindrical					2,225 9,897	6,120 27,222	
CFH 1 B	CFH 1 SB	1.000	+0/- .001	.625	+0 / -.005	.625	+ .001/-0	1.00	.031	.50	1.66	12 305	N/A	N/A	N/A				
CCFH 1	CCFH 1 S	25.40	+0/- .03	15.88	+0 / -.13	15.88	+ .03/-0	25.4	.8	12.7	42.1								
CCFH 1 B	CCFH 1 SB																		
CF 1 1/8	CF 1 1/8 S											Cylindrical					2,225 9,897	3,060 13,611	
CF 1 1/8 B	CF 1 1/8 SB	1.125	+0/- .001	.625	+0 / -.005	.4375	+ .001/-0	1.00	.031	.50	1.66	12 305	N/A	N/A	N/A				
CCF 1 1/8	CCF 1 1/8 S	28.58	+0/- .03	15.88	+0 / -.13	11.11	+ .03/-0	25.4	.8	12.7	42.1								
CCF 1 1/8 B	CCF 1 1/8 SB																		
CFE 1 1/8	CFE 1 1/8 S											Cylindrical	.030	.500	.625				
CFE 1 1/8 B	CFE 1 1/8 SB	1.125	+0/- .001	.625	+0 / -.005	.4375	+ .001/-0	1.00	.031	.50	1.66	12 305	.76	12.70	15.88				
CCFE 1 1/8	CCFE 1 1/8 S	28.58	+0/- .03	15.88	+0 / -.13	11.11	+ .03/-0	25.4	.8	12.7	42.1								
CCFE 1 1/8 B	CCFE 1 1/8 SB																		
CFH 1 1/8	CFH 1 1/8 S											Cylindrical					2,225 9,897	6,120 27,222	
CFH 1 1/8 B	CFH 1 1/8 SB	1.125	+0/- .001	.625	+0 / -.005	.625	+ .001/-0	1.00	.031	.50	1.66	12 305	N/A	N/A	N/A				
CCFH 1 1/8	CCFH 1 1/8 S	28.58	+0/- .03	15.88	+0 / -.13	15.88	+ .03/-0	25.4	.8	12.7	42.1								
CCFH 1 1/8 B	CCFH 1 1/8 SB																		
CF 1 1/4	CF 1 1/4 S											Cylindrical					3,930 17,481	4,250 18,904	
CF 1 1/4 B	CF 1 1/4 SB	1.250	+0/- .001	.750	+0 / -.005	.500	+ .001/-0	1.25	.031	.63	2.03	14 356	N/A	N/A	N/A				
CCF 1 1/4	CCF 1 1/4 S	31.75	+0/- .03	19.05	+0 / -.13	12.70	+ .03/-0	31.8	.8	15.9	51.6								
CCF 1 1/4 B	CCF 1 1/4 SB																		
CFE 1 1/4	CFE 1 1/4 S											Cylindrical	.030	.625	.687				
CFE 1 1/4 B	CFE 1 1/4 SB	1.250	+0/- .001	.750	+0 / -.005	.500	+ .001/-0	1.25	.031	.63	2.03	14 356	.76	15.88	17.45				
CCFE 1 1/4	CCFE 1 1/4 S	31.75	+0/- .03	19.05	+0 / -.13	12.70	+ .03/-0	31.8	.8	15.9	51.6								
CCFE 1 1/4 B	CCFE 1 1/4 SB																		



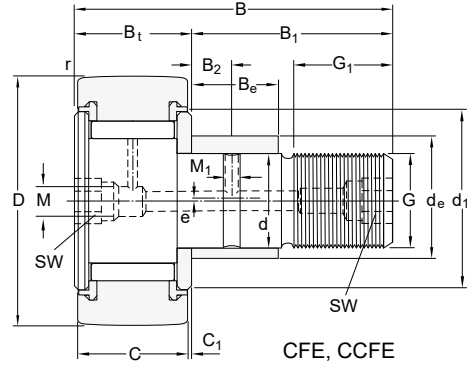
B ₂	M ₁	SW	d ₁	r	HBD		G	M _A	nDG	Mass	Designation	
Distance lubrication hole to washer face	Diameter of lubrication hole (shank)	Width of flats	Thrust washer outside diameter	Minimum Fillet radius	Housing Bore Diameter		Thread Type	Clamping Torque	Limiting Speed (Grease)	Bearing Weight	W/O Seals	With Seals
inch mm			inch mm		inch mm			in-lb Nm	RPM	lb kg		
(Ref)	(Ref)	(Ref)	(Ref)	(Ref)	Nom.	Tol.						
-	-	.125 3.175	.462 11.73	.016 .40 N/A	.3128 7.945	+0.002/-0.003 +0.005/-0.008	5/16-24	90 10	8,300	.06 .03	CFH 11/16 CFH 11/16 B CCFH 11/16 CCFH 11/16 B	CFH 11/16 S CFH 11/16 SB CCFH 11/16 S CCFH 11/16 SB
.25 6	.0938 2	.1875 5	.609 15.48	.016 .40 N/A	.3753 9.533	+0.002/-0.003 +0.005/-0.008	3/8-24	95 11	6,400	.07 .03	CF 3/4 CF 3/4 B CCF 3/4 CCF 3/4 B	CF 3/4 S CF 3/4 SB CCF 3/4 S CCF 3/4 SB
.25 6	.0938 2	.1875 5	.609 15.48	.016 .40 N/A	.503 12.77	+0.001/-0.001 +0.025/-0.025					CFE 3/4 CFE 3/4 B CCFE 3/4 CCFE 3/4 B	CFE 3/4 S CFE 3/4 SB CCFE 3/4 S CCFE 3/4 SB
.25 6	.0938 2	.1875 5	.609 15.48	.016 .40 N/A	.4378 11.120	+0.002/-0.003 +0.005/-0.008	7/16-20	250 28	6,400	.08 .04	CFH 3/4 CFH 3/4 B CCFH 3/4 CCFH 3/4 B	CFH 3/4 S CFH 3/4 SB CCFH 3/4 S CCFH 3/4 SB
.25 6	.0938 2	.1875 5	.609 15.48	.016 .40 N/A	.3753 9.533	+0.002/-0.003 +0.005/-0.008	3/8-24	95 11	5,400	.09 .04	CF 7/8 CF 7/8 B CCF 7/8 CCF 7/8 B	CF 7/8 S CF 7/8 SB CCF 7/8 S CCF 7/8 SB
.25 6	.0938 2	.1875 5	.609 15.48	.016 .40 N/A	.503 12.77	+0.001/-0.001 +0.025/-0.025					CFE 7/8 CFE 7/8 B CCFE 7/8 CCFE 7/8 B	CFE 7/8 S CFE 7/8 SB CCFE 7/8 S CCFE 7/8 SB
.25 6	.0938 2	.1875 5	.609 15.48	.016 .40 N/A	.4378 11.120	+0.002/-0.003 +0.005/-0.008	7/16-20	250 28	5,400	.11 .05	CFH 7/8 CFH 7/8 B CCFH 7/8 CCFH 7/8 B	CFH 7/8 S CFH 7/8 SB CCFH 7/8 S CCFH 7/8 SB
.25 6	.0938 2	.1875 5	.781 19.84	.031 .79 N/A	.4378 11.120	+0.002/-0.003 +0.005/-0.008	7/16-20	250 28	4,800	.17 .08	CF 1 S CF 1 B CCF 1 CCF 1 B	CF 1 S CF 1 SB CCF 1 S CCF 1 SB
.25 6	.0938 2	.1875 5	.781 19.84	.031 .79 N/A	.628 15.95	+0.001/-0.001 +0.025/-0.025					CFE 1 CFE 1 B CCFE 1 CCFE 1 B	CFE 1 S CFE 1 SB CCFE 1 S CCFE 1 SB
.25 6	.0938 2	.1875 5	.781 19.84	.031 .79 N/A	.6253 15.883	+0.002/-0.003 +0.005/-0.008	5/8-18	650 73	4,800	.20 .09	CFH 1 CFH 1 B CCFH 1 CCFH 1 B	CFH 1 S CFH 1 SB CCFH 1 S CCFH 1 SB
.25 6	.0938 2	.1875 5	.781 19.84	.031 .79 N/A	.4378 11.120	+0.002/-0.003 +0.005/-0.008	7/16-20	250 28	3,400	.19 .09	CF 1 1/8 CF 1 1/8 B CCF 1 1/8 CCF 1 1/8 B	CF 1 1/8 S CF 1 1/8 SB CCF 1 1/8 S CCF 1 1/8 SB
.25 6	.0938 2	.1875 5	.781 19.84	.031 .79 N/A	.628 15.95	+0.001/-0.001 +0.025/-0.025					CFE 1 1/8 CFE 1 1/8 B CCFE 1 1/8 CCFE 1 1/8 B	CFE 1 1/8 S CFE 1 1/8 SB CCFE 1 1/8 S CCFE 1 1/8 SB
.25 6	.0938 2	.1875 5	.781 19.84	.031 .79 N/A	.6253 15.883	+0.002/-0.003 +0.005/-0.008	5/8-18	650 73	3,400	.24 .11	CFH 1 1/8 CFH 1 1/8 B CCFH 1 1/8 CCFH 1 1/8 B	CFH 1 1/8 S CFH 1 1/8 SB CCFH 1 1/8 S CCFH 1 1/8 SB
.3125 8	.0938 2	.1875 5	.984 25.00	.031 .79 N/A	.5003 12.708	+0.002/-0.003 +0.005/-0.008	1/2-20	350 40	3,100	.30 .14	CF 1 1/4 CF 1 1/4 B CCF 1 1/4 CCF 1 1/4 B	CF 1 1/4 S CF 1 1/4 SB CCF 1 1/4 S CCF 1 1/4 SB
.3125 8	.0938 2	.1875 5	.984 25.00	.031 .79 N/A	.690 17.52	+0.001/-0.001 +0.025/-0.025					CFE 1 1/4 CFE 1 1/4 B CCFE 1 1/4 CCFE 1 1/4 B	CFE 1 1/4 S CFE 1 1/4 SB CCFE 1 1/4 S CCFE 1 1/4 SB

Inch Cam Followers



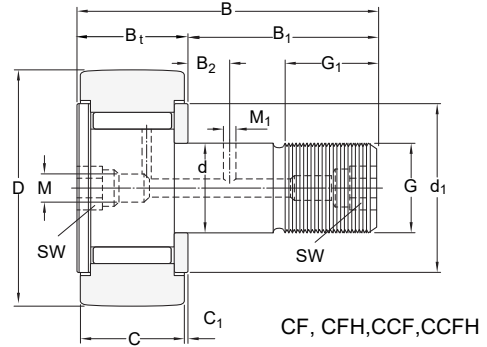
CF, CFH, CCF, CCFH

Designation		D		C		d		B ₁	C ₁	G ₁	B	R	e	Be	de	Max. dynamic radial loads	Max. static radial loads
W/O Seals	With Seals	Outside diameter		Outer ring width		Stud diameter		Stud length	Distance outer ring face to washer face	Min thread length	Total length	Crown	Eccentric			Fr	For
												Prefix CCF-XX	Base modifier CFE-XX				
		inch mm		inch mm		inch mm		inch mm		inch mm		inch mm	inch mm				
		Nom.	Tol.	Nom.	Tol.	Nom.	Tol.	(Ref)	(Ref)	(Ref)	(Ref)	Radius (Ref)	(Ref)	+0/-0.010	±0.001		
CFH 1 1/4	CFH 1 1/4 S	1.250 31.75	+0/-0.001 +0/-0.03	.750 19.05	+0 / -.005 +0 / -.13	.750 19.05	+0.01/-0 +0.03/-0	1.25 31.8	.031 .8	.63 15.9	2.03 51.6	Cylindrical	N/A	N/A	N/A	3,930 17,481	8,500 37,808
CFH 1 1/4 B	CFH 1 1/4 SB																
CCFH 1 1/4	CCFH 1 1/4 S																
CCFH 1 1/4 B	CCFH 1 1/4 SB																
CF 1 3/8	CF 1 3/8 S	1.375 34.93	+0/-0.001 +0/-0.03	.750 19.05	+0 / -.005 +0 / -.13	.500 12.70	+0.01/-0 +0.03/-0	1.25 31.8	.031 .8	.63 15.9	2.03 51.6	Cylindrical	N/A	N/A	N/A	3,930 17,481	4,250 18,904
CF 1 3/8 B	CF 1 3/8 SB																
CCF 1 3/8	CCF 1 3/8 S																
CCF 1 3/8 B	CCF 1 3/8 SB																
CFE 1 3/8	CFE 1 3/8 S	1.375 34.93	+0/-0.001 +0/-0.03	.750 19.05	+0 / -.005 +0 / -.13	.500 12.70	+0.01/-0 +0.03/-0	1.25 31.8	.031 .8	.63 15.9	2.03 51.6	Cylindrical	.030 .76	.625 15.88	.687 17.45	3,930 17,481	4,250 18,904
CFE 1 3/8 B	CFE 1 3/8 SB																
CCFE 1 3/8	CCFE 1 3/8 S																
CCFE 1 3/8 B	CCFE 1 3/8 SB																
CFH 1 3/8	CFH 1 3/8 S	1.375 34.93	+0/-0.001 +0/-0.03	.750 19.05	+0 / -.005 +0 / -.13	.750 19.05	+0.01/-0 +0.03/-0	1.25 31.8	.031 .8	.63 15.9	2.03 51.6	Cylindrical	N/A	N/A	N/A	3,930 17,481	8,500 37,808
CFH 1 3/8 B	CFH 1 3/8 SB																
CCFH 1 3/8	CCFH 1 3/8 S																
CCFH 1 3/8 B	CCFH 1 3/8 SB																
CF 1 1/2	CF 1 1/2 S	1.500 38.10	+0/-0.001 +0/-0.03	.875 22.23	+0 / -.005 +0 / -.13	.625 15.88	+0.01/-0 +0.03/-0	1.50 38.1	.031 .8	.75 19.1	2.41 61.1	Cylindrical	N/A	N/A	N/A	4,840 21,528	5,640 25,087
CF 1 1/2 B	CF 1 1/2 SB																
CCF 1 1/2	CCF 1 1/2 S																
CCF 1 1/2 B	CCF 1 1/2 SB																
CFE 1 1/2	CFE 1 1/2 S	1.500 38.10	+0/-0.001 +0/-0.03	.875 22.23	+0 / -.005 +0 / -.13	.625 15.88	+0.01/-0 +0.03/-0	1.50 38.1	.031 .8	.75 19.1	2.41 61.1	Cylindrical	.030 .76	.750 19.05	.875 22.23	4,840 21,528	5,640 25,087
CFE 1 1/2 B	CFE 1 1/2 SB																
CCFE 1 1/2	CCFE 1 1/2 S																
CCFE 1 1/2 B	CCFE 1 1/2 SB																
CFH 1 1/2	CFH 1 1/2 S	1.500 38.10	+0/-0.001 +0/-0.03	.875 22.23	+0 / -.005 +0 / -.13	.875 22.23	+0.01/-0 +0.03/-0	1.50 38.1	.031 .8	.75 19.1	2.41 61.1	Cylindrical	N/A	N/A	N/A	4,840 21,528	11,280 50,173
CFH 1 1/2 B	CFH 1 1/2 SB																
CCFH 1 1/2	CCFH 1 1/2 S																
CCFH 1 1/2 B	CCFH 1 1/2 SB																
CF 1 5/8	CF 1 5/8 S	1.625 41.28	+0/-0.001 +0/-0.03	.875 22.23	+0 / -.005 +0 / -.13	.625 15.88	+0.01/-0 +0.03/-0	1.50 38.1	.031 .8	.75 19.1	2.41 61.1	Cylindrical	N/A	N/A	N/A	4,840 21,528	5,640 25,087
CF 1 5/8 B	CF 1 5/8 SB																
CCF 1 5/8	CCF 1 5/8 S																
CCF 1 5/8 B	CCF 1 5/8 SB																
CFE 1 5/8	CFE 1 5/8 S	1.625 41.28	+0/-0.001 +0/-0.03	.875 22.23	+0 / -.005 +0 / -.13	.625 15.88	+0.01/-0 +0.03/-0	1.50 38.1	.031 .8	.75 19.1	2.41 61.1	Cylindrical	.030 .76	.750 19.05	.875 22.23	4,840 21,528	5,640 25,087
CFE 1 5/8 B	CFE 1 5/8 SB																
CCFE 1 5/8	CCFE 1 5/8 S																
CCFE 1 5/8 B	CCFE 1 5/8 SB																
CFH 1 5/8	CFH 1 5/8 S	1.625 41.28	+0/-0.001 +0/-0.03	.875 22.23	+0 / -.005 +0 / -.13	.875 22.23	+0.01/-0 +0.03/-0	1.50 38.1	.031 .8	.75 19.1	2.41 61.1	Cylindrical	N/A	N/A	N/A	4,840 21,528	11,280 50,173
CFH 1 5/8 B	CFH 1 5/8 SB																
CCFH 1 5/8	CCFH 1 5/8 S																
CCFH 1 5/8 B	CCFH 1 5/8 SB																
CF 1 3/4	CF 1 3/4 S	1.750 44.45	+0/-0.001 +0/-0.03	1.000 25.40	+0 / -.005 +0 / -.13	.750 19.05	+0.01/-0 +0.03/-0	1.75 44.5	.031 .8	.88 22.2	2.78 70.6	Cylindrical	N/A	N/A	N/A	6,385 28,400	7,920 35,228
CF 1 3/4 B	CF 1 3/4 SB																
CCF 1 3/4	CCF 1 3/4 S																
CCF 1 3/4 B	CCF 1 3/4 SB																
CFE 1 3/4	CFE 1 3/4 S	1.750 44.45	+0/-0.001 +0/-0.03	1.000 25.40	+0 / -.005 +0 / -.13	.750 19.05	+0.01/-0 +0.03/-0	1.75 44.5	.031 .8	.88 22.2	2.78 70.6	Cylindrical	.030 .76	.875 22.23	1.000 25.40	6,385 28,400	7,920 35,228
CFE 1 3/4 B	CFE 1 3/4 SB																
CCFE 1 3/4	CCFE 1 3/4 S																
CCFE 1 3/4 B	CCFE 1 3/4 SB																
CFH 1 3/4	CFH 1 3/4 S	1.750 44.45	+0/-0.001 +0/-0.03	1.000 25.40	+0 / -.005 +0 / -.13	1.000 25.40	+0.01/-0 +0.03/-0	1.75 44.5	.031 .8	.88 22.2	2.78 70.6	Cylindrical	N/A	N/A	N/A	6,385 28,400	15,840 70,456
CFH 1 3/4 B	CFH 1 3/4 SB																
CCFH 1 3/4	CCFH 1 3/4 S																
CCFH 1 3/4 B	CCFH 1 3/4 SB																
CF 1 7/8	CF 1 7/8 S	1.875 47.63	+0/-0.001 +0/-0.03	1.000 25.40	+0 / -.005 +0 / -.13	.750 19.05	+0.01/-0 +0.03/-0	1.75 44.5	.031 .8	.88 22.2	2.78 70.6	Cylindrical	N/A	N/A	N/A	6,385 28,400	7,920 35,228
CF 1 7/8 B	CF 1 7/8 SB																
CCF 1 7/8	CCF 1 7/8 S																
CCF 1 7/8 B	CCF 1 7/8 SB																
CFE 1 7/8	CFE 1 7/8 S	1.875 47.63	+0/-0.001 +0/-0.03	1.000 25.40	+0 / -.005 +0 / -.13	.750 19.05	+0.01/-0 +0.03/-0	1.75 44.5	.031 .8	.88 22.2	2.78 70.6	Cylindrical	.030 .76	.875 22.23	1.000 25.40	6,385 28,400	7,920 35,228
CFE 1 7/8 B	CFE 1 7/8 SB																
CCFE 1 7/8	CCFE 1 7/8 S																
CCFE 1 7/8 B	CCFE 1 7/8 SB																

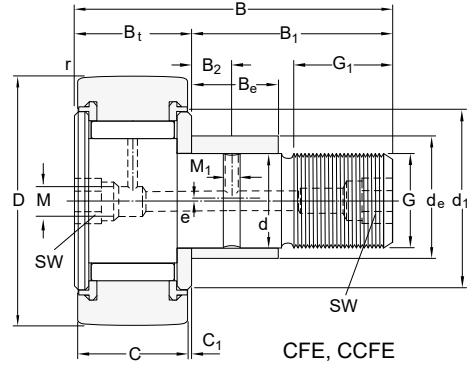


B ₂	M ₁	SW	d ₁	r	HBD		G	M _A	nDG	Mass	Designation	
Distance lubrication hole to washer face	Diameter of lubrication hole (shank)	Width of flats	Thrust washer outside diameter	Minimum Fillet radius	Housing Bore Diameter		Thread Type	Clamping Torque	Limiting Speed (Grease)	Bearing Weight	W/O Seals	With Seals
inch mm			inch mm	inch mm			in-lb Nm	RPM	lb kg			
(Ref)	(Ref)	(Ref)	(Ref)	(Ref)	Nom.	Tol.						
.3125 8	.0938 2	.1875 5	.984 25.00	.031 .79	.7503 19.058	+0.002/-0.003 +0.005/-0.008	3/4-16	1,250 141	3,100	.38 .17	CFH 1 1/4	CFH 1 1/4 S
				N/A							CFH 1 1/4 B	CFH 1 1/4 SB
.3125 8	.0938 2	.1875 5	.984 25.00	.047 1.19	.5003 12.708	+0.002/-0.003 +0.005/-0.008	1/2-20	350 40	2,800	.35 .16	CF 1 3/8	CF 1 3/8 S
				N/A							CF 1 3/8 B	CF 1 3/8 SB
.3125 8	.0938 2	.1875 5	.984 25.00	.047 1.19	.690 17.52	+0.001/-0.001 +0.025/-0.025	1/2-20	350 40	2,800	.35 .16	CFE 1 3/8	CFE 1 3/8 S
				N/A							CFE 1 3/8 B	CFE 1 3/8 SB
.3125 8	.0938 2	.1875 5	.984 25.00	.047 1.19	.7503 19.058	+0.002/-0.003 +0.005/-0.008	3/4-16	1,250 141	2,800	.44 .19	CFH 1 3/8	CFH 1 3/8 S
				N/A							CFH 1 3/8 B	CFH 1 3/8 SB
.375 10	.0938 2	.1875 5	1.094 27.78	.063 1.59	.6253 15.883	+0.002/-0.003 +0.005/-0.008	5/8-18	650 73	2,500	.53 .24	CF 1 1/2	CF 1 1/2 S
				N/A							CF 1 1/2 B	CF 1 1/2 SB
.375 10	.0938 2	.1875 5	1.094 27.78	.063 1.59	.878 22.30	+0.001/-0.001 +0.025/-0.025	5/8-18	650 73	2,500	.53 .24	CFE 1 1/2	CFE 1 1/2 S
				N/A							CFE 1 1/2 B	CFE 1 1/2 SB
.375 10	.0938 2	.1875 5	1.094 27.78	.063 1.59	.8753 22.233	+0.002/-0.003 +0.005/-0.008	7/8-14	1,500 170	2,500	.69 .31	CFH 1 1/2	CFH 1 1/2 S
				N/A							CFH 1 1/2 B	CFH 1 1/2 SB
.375 10	.0938 2	.1875 5	1.094 27.78	.063 1.59	.6253 15.883	+0.002/-0.003 +0.005/-0.008	5/8-18	650 73	2,350	.60 .27	CF 1 5/8	CF 1 5/8 S
				N/A							CF 1 5/8 B	CF 1 5/8 SB
.375 10	.0938 2	.1875 5	1.094 27.78	.063 1.59	.878 22.30	+0.001/-0.001 +0.025/-0.025	5/8-18	650 73	2,350	.60 .27	CFE 1 5/8	CFE 1 5/8 S
				N/A							CFE 1 5/8 B	CFE 1 5/8 SB
.375 10	.0938 2	.1875 5	1.094 27.78	.063 1.59	.8753 22.233	+0.002/-0.003 +0.005/-0.008	7/8-14	1,500 170	2,350	.75 .34	CFH 1 5/8	CFH 1 5/8 S
				N/A							CFH 1 5/8 B	CFH 1 5/8 SB
.4375 11	.125 3	.1875 5	1.250 31.75	.063 1.59	.7503 19.058	+0.002/-0.003 +0.005/-0.008	3/4-16	1,250 141	2,200	.84 .38	CF 1 3/4	CF 1 3/4 S
				N/A							CF 1 3/4 B	CF 1 3/4 SB
.4375 11	.125 3	.1875 5	1.250 31.75	.063 1.59	1.003 25.47	+0.001/-0.001 +0.025/-0.025	3/4-16	1,250 141	2,200	.84 .38	CFE 1 3/4	CFE 1 3/4 S
				N/A							CFE 1 3/4 B	CFE 1 3/4 SB
.4375 11	.125 3	.1875 5	1.250 31.75	.063 1.59	1.0003 25.408	+0.002/-0.003 +0.005/-0.008	1-14	2,250 254	2,200	1.00 .45	CFH 1 3/4	CFH 1 3/4 S
				N/A							CFH 1 3/4 B	CFH 1 3/4 SB
.4375 11	.125 3	.1875 5	1.250 31.75	.063 1.59	.7503 19.058	+0.002/-0.003 +0.005/-0.008	3/4-16	1,250 141	2,000	.95 .43	CF 1 7/8	CF 1 7/8 S
				N/A							CF 1 7/8 B	CF 1 7/8 SB
.4375 11	.125 3	.1875 5	1.250 31.75	.063 1.59	1.003 25.47	+0.001/-0.001 +0.025/-0.025	3/4-16	1,250 141	2,000	.95 .43	CFE 1 7/8	CFE 1 7/8 S
				N/A							CFE 1 7/8 B	CFE 1 7/8 SB

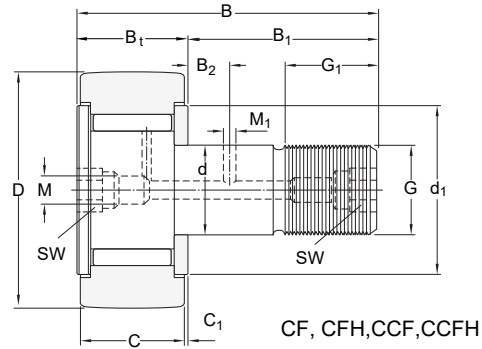
Inch Cam Followers



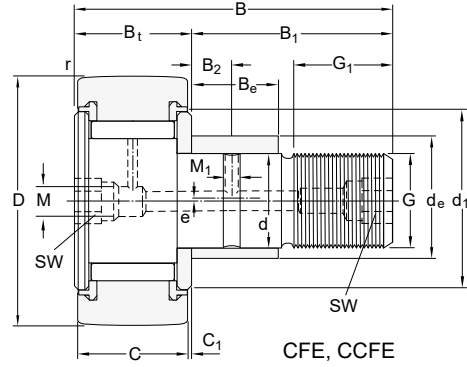
Designation		D		C		d		B ₁	C ₁	G ₁	B	R	e	Be	de	Max. dynamic radial loads	Max. static radial loads
W/O Seals	With Seals	Outside diameter		Outer ring width		Stud diameter		Stud length	Distance outer ring face to washer face	Min thread length	Total length	Crown	Eccentric				
		inch mm		inch mm		inch mm		inch mm	inch mm	inch mm	inch mm	inch mm	Base modifier CFE-XX				
		Nom.	Tol.	Nom.	Tol.	Nom.	Tol.	(Ref)	(Ref)	(Ref)	(Ref)	Radius (Ref)	(Ref)	+0/-010	±.001		
CFH 1 7/8 CFH 1 7/8 B CCFH 1 7/8 CCFH 1 7/8 B	CFH 1 7/8 S CFH 1 7/8 SB CCFH 1 7/8 S CCFH 1 7/8 SB	1.875 47.63	+0/-0.001 +0/-0.03	1.000 25.40	+0 / -.005 +0 / -.13	1.000 25.40	+0.01/-0 +0.03/-0	1.75 44.5	.031 .8	.88 22.2	2.78 70.6	Cylindrical 20 508	N/A	N/A	N/A	6,385 28,400	15,840 70,456
CF 2 CF 2 B CCF 2 CCF 2 B	CF 2 S CF 2 SB CCF 2 S CCF 2 SB	2.000 50.80	+0/-0.001 +0/-0.03	1.250 31.75	+0 / -.005 +0 / -.13	.875 22.23	+0.01/-0 +0.03/-0	2.00 50.8	.031 .8	1.00 25.4	3.28 83.3	Cylindrical 24 610	N/A	N/A	N/A	8,090 35,984	10,570 47,015
CFE 2 CFE 2 B CCFE 2 CCFE 2 B	CFE 2 S CFE 2 SB CCFE 2 S CCFE 2 SB	2.000 50.80	+0/-0.001 +0/-0.03	1.250 31.75	+0 / -.005 +0 / -.13	.875 22.23	+0.01/-0 +0.03/-0	2.00 50.8	.031 .8	1.00 25.4	3.28 83.3	Cylindrical 24 610	.030 .76	1.000 25.40	1.187 30.15		
CFH 2 CFH 2 B CCFH 2 CCFH 2 B	CFH 2 S CFH 2 SB CCFH 2 S CCFH 2 SB	2.000 50.80	+0/-0.001 +0/-0.03	1.250 31.75	+0 / -.005 +0 / -.13	1.125 28.58	+0.01/-0 +0.03/-0	2.00 50.8	.031 .8	1.00 25.4	3.28 83.3	Cylindrical 24 610	N/A	N/A	N/A	8,090 35,984	21,140 94,031
CF 2 1/4 CF 2 1/4 B CCF 2 1/4 CCF 2 1/4 B	CF 2 1/4 S CF 2 1/4 SB CCF 2 1/4 S CCF 2 1/4 SB	2.250 57.15	+0/-0.001 +0/-0.03	1.250 31.75	+0 / -.005 +0 / -.13	.875 22.23	+0.01/-0 +0.03/-0	2.00 50.8	.031 .8	1.00 25.4	3.28 83.3	Cylindrical 24 610	N/A	N/A	N/A	8,090 35,984	10,570 47,015
CFE 2 1/4 CFE 2 1/4 B CCFE 2 1/4 CCFE 2 1/4 B	CFE 2 1/4 S CFE 2 1/4 SB CCFE 2 1/4 S CCFE 2 1/4 SB	2.250 57.15	+0/-0.001 +0/-0.03	1.250 31.75	+0 / -.005 +0 / -.13	.875 22.23	+0.01/-0 +0.03/-0	2.00 50.8	.031 .8	1.00 25.4	3.28 83.3	Cylindrical 24 610	.030 .76	1.000 25.40	1.187 30.15		
CFH 2 1/4 CFH 2 1/4 B CCFH 2 1/4 CCFH 2 1/4 B	CFH 2 1/4 S CFH 2 1/4 SB CCFH 2 1/4 S CCFH 2 1/4 SB	2.250 57.15	+0/-0.001 +0/-0.03	1.250 31.75	+0 / -.005 +0 / -.13	1.125 28.58	+0.01/-0 +0.03/-0	2.00 50.8	.031 .8	1.00 25.4	3.28 83.3	Cylindrical 24 610	N/A	N/A	N/A	8,090 35,984	21,140 94,031
CF 2 1/2 CF 2 1/2 B CCF 2 1/2 CCF 2 1/2 B	CF 2 1/2 S CF 2 1/2 SB CCF 2 1/2 S CCF 2 1/2 SB	2.500 63.50	+0/-0.001 +0/-0.03	1.500 38.10	+0 / -.005 +0 / -.13	1.000 25.40	+0.01/-0 +0.03/-0	2.25 57.2	.031 .8	1.125 28.57	3.78 96.0	Cylindrical 30 762	N/A	N/A	N/A	11,720 52,131	16,450 73,170
CFE 2 1/2 CFE 2 1/2 B CCFE 2 1/2 CCFE 2 1/2 B	CFE 2 1/2 S CFE 2 1/2 SB CCFE 2 1/2 S CCFE 2 1/2 SB	2.500 63.50	+0/-0.001 +0/-0.03	1.500 38.10	+0 / -.005 +0 / -.13	1.000 25.40	+0.01/-0 +0.03/-0	2.25 57.2	.031 .8	1.125 28.57	3.78 96.0	Cylindrical 30 762	.030 .76	1.125 28.58	1.375 34.93		
CFH 2 1/2 CFH 2 1/2 B CCFH 2 1/2 CCFH 2 1/2 B	CFH 2 1/2 S CFH 2 1/2 SB CCFH 2 1/2 S CCFH 2 1/2 SB	2.500 63.50	+0/-0.001 +0/-0.03	1.500 38.10	+0 / -.005 +0 / -.13	1.250 31.75	+0.01/-0 +0.03/-0	2.25 57.2	.031 .8	1.125 28.57	3.78 96.0	Cylindrical 30 762	N/A	N/A	N/A	11,720 52,131	32,900 146,339
CF 2 3/4 CF 2 3/4 B CCF 2 3/4 CCF 2 3/4 B	CF 2 3/4 S CF 2 3/4 SB CCF 2 3/4 S CCF 2 3/4 SB	2.750 69.85	+0/-0.001 +0/-0.03	1.500 38.10	+0 / -.005 +0 / -.13	1.000 25.40	+0.01/-0 +0.03/-0	2.25 57.2	.031 .8	1.125 28.57	3.78 96.0	Cylindrical 30 762	N/A	N/A	N/A	11,720 52,131	16,450 73,170
CFE 2 3/4 CFE 2 3/4 B CCFE 2 3/4 CCFE 2 3/4 B	CFE 2 3/4 S CFE 2 3/4 SB CCFE 2 3/4 S CCFE 2 3/4 SB	2.750 69.85	+0/-0.001 +0/-0.03	1.500 38.10	+0 / -.005 +0 / -.13	1.000 25.40	+0.01/-0 +0.03/-0	2.25 57.2	.031 .8	1.125 28.57	3.78 96.0	Cylindrical 30 762	.030 .76	1.125 28.58	1.375 34.93		
CFH 2 3/4 CFH 2 3/4 B CCFH 2 3/4 CCFH 2 3/4 B	CFH 2 3/4 S CFH 2 3/4 SB CCFH 2 3/4 S CCFH 2 3/4 SB	2.750 69.85	+0/-0.001 +0/-0.03	1.500 38.10	+0 / -.005 +0 / -.13	1.250 31.75	+0.01/-0 +0.03/-0	2.25 57.2	.031 .8	1.125 28.57	3.78 96.0	Cylindrical 30 762	N/A	N/A	N/A	11,720 52,131	32,900 146,339
CF 3 CF 3 B CCF 3 CCF 3 B	CF 3 S CF 3 SB CCF 3 S CCF 3 SB	3.000 76.20	+0/-0.001 +0/-0.03	1.750 44.45	+0 / -.005 +0 / -.13	1.250 31.75	+0.01/-0 +0.03/-0	2.50 63.5	.031 .8	1.25 31.75	4.28 108.7	Cylindrical 30 762	N/A	N/A	N/A	15,720 69,923	24,910 110,800
CFE 3 CFE 3 B CCFE 3 CCFE 3 B	CFE 3 S CFE 3 SB CCFE 3 S CCFE 3 SB	3.000 76.20	+0/-0.001 +0/-0.03	1.750 44.45	+0 / -.005 +0 / -.13	1.250 31.75	+0.01/-0 +0.03/-0	2.50 63.5	.031 .8	1.25 31.75	4.28 108.7	Cylindrical 30 762	.060 .52	1.250 31.75	1.750 44.45		



B ₂	M ₁	SW	d ₁	r	HBD		G	M _A	nDG	Mass	Designation	
Distance lubrication hole to washer face	Diameter of lubrication hole (shank)	Width of flats	Thrust washer outside diameter	Minimum Fillet radius	Housing Bore Diameter		Thread Type	Clamping Torque	Limiting Speed (Grease)	Bearing Weight	W/O Seals	With Seals
inch mm			inch mm	inch mm			in-lb Nm	RPM	lb kg			
(Ref)	(Ref)	(Ref)	(Ref)	(Ref)	Nom.	Tol.						
.4375 11	.125 3	.1875 5	1.250 31.75	.063 1.59	1.0003 25.408	+0.0002/-0.0003 +0.0005/-0.0008	1-14	2,250 254	2,000	1.15 .52	CFH 1 7/8 CFH 1 7/8 B CCFH 1 7/8 CCFH 1 7/8 B	CFH 1 7/8 S CFH 1 7/8 SB CCFH 1 7/8 S CCFH 1 7/8 SB
				N/A								
.50 13	.125 3	.1875 5	1.406 35.72	.094 2.38	.8753 22.233	+0.0002/-0.0003 +0.0005/-0.0008	7/8-14	1,500 170	1,400	1.36 .62	CF 2 CF 2 B CCF 2 CCF 2 B	CF 2 S CF 2 SB CCF 2 S CCF 2 SB
				N/A								
.50 13	.125 3	.1875 5	1.406 35.72	.094 2.38	1.190 30.22	+0.001/-0.001 +0.025/-0.025	1 1/8-12	2,800 316	1,400	1.56 .71	CFH 2 CFH 2 B CCFH 2 CCFH 2 B	CFH 2 S CFH 2 SB CCFH 2 S CCFH 2 SB
				N/A								
.50 13	.125 3	.1875 5	1.406 35.72	.094 2.38	.8753 22.233	+0.0002/-0.0003 +0.0005/-0.0008	7/8-14	1,500 170	1,300	1.65 .75	CF 2 1/4 CF 2 1/4 B CCF 2 1/4 CCF 2 1/4 B	CF 2 1/4 S CF 2 1/4 SB CCF 2 1/4 S CCF 2 1/4 SB
				N/A								
.50 13	.125 3	.1875 5	1.406 35.72	.094 2.38	1.190 30.22	+0.001/-0.001 +0.025/-0.025	1 1/8-12	2,800 316	1,300	1.88 .85	CFH 2 1/4 CFH 2 1/4 B CCFH 2 1/4 CCFH 2 1/4 B	CFH 2 1/4 S CFH 2 1/4 SB CCFH 2 1/4 S CCFH 2 1/4 SB
				N/A								
.5625 14	.125 3	.1875 5	1.688 42.86	.094 2.38	1.0003 25.408	+0.0002/-0.0003 +0.0005/-0.0008	1-14	2,250 254	1,100	2.50 1.13	CF 2 1/2 CF 2 1/2 B CCF 2 1/2 CCF 2 1/2 B	CF 2 1/2 S CF 2 1/2 SB CCF 2 1/2 S CCF 2 1/2 SB
				N/A								
.5625 14	.125 3	.1875 5	1.688 42.86	.094 2.38	1.378 35.00	+0.001/-0.001 +0.025/-0.025	1 1/4-12	3,450 390	1,100	2.75 1.25	CFE 2 1/2 CFE 2 1/2 B CCFE 2 1/2 CCFE 2 1/2 B	CFE 2 1/2 S CFE 2 1/2 SB CCFE 2 1/2 S CCFE 2 1/2 SB
				N/A								
.5625 14	.125 3	.1875 5	1.688 42.86	.094 2.38	1.2503 31.758	+0.0002/-0.0003 +0.0005/-0.0008	1 1/4-12	3,450 390	1,050	3.19 1.47	CFH 2 1/2 CFH 2 1/2 B CCFH 2 1/2 CCFH 2 1/2 B	CFH 2 1/2 S CFH 2 1/2 SB CCFH 2 1/2 S CCFH 2 1/2 SB
				N/A								
.5625 14	.125 3	.1875 5	1.688 42.86	.094 2.38	1.0003 25.408	+0.0002/-0.0003 +0.0005/-0.0008	1-14	2,250 254	1,050	2.93 1.33	CF 2 3/4 CF 2 3/4 B CCF 2 3/4 CCF 2 3/4 B	CF 2 3/4 S CF 2 3/4 SB CCF 2 3/4 S CCF 2 3/4 SB
				N/A								
.5625 14	.125 3	.1875 5	1.688 42.86	.094 2.38	1.378 35.00	+0.001/-0.001 +0.025/-0.025	1 1/4-12	3,450 390	1,050	3.19 1.47	CFE 2 3/4 CFE 2 3/4 B CCFE 2 3/4 CCFE 2 3/4 B	CFE 2 3/4 S CFE 2 3/4 SB CCFE 2 3/4 S CCFE 2 3/4 SB
				N/A								
.5625 14	.125 3	.1875 5	1.688 42.86	.094 2.38	1.2503 31.758	+0.0002/-0.0003 +0.0005/-0.0008	1 1/4-12	3,450 390	1,050	3.19 1.47	CFH 2 3/4 CFH 2 3/4 B CCFH 2 3/4 CCFH 2 3/4 B	CFH 2 3/4 S CFH 2 3/4 SB CCFH 2 3/4 S CCFH 2 3/4 SB
				N/A								
.625 16	.125 3	.25 * 6	2.125 53.98	.125 3.18	1.2503 31.758	+0.0002/-0.0003 +0.0005/-0.0008	1 1/4-12	3,450 390	950	4.20 1.91	CF 3 CF 3 B CCF 3 CCF 3 B	CF 3 S CF 3 SB CCF 3 S CCF 3 SB
				N/A								
.625 16	.125 3	.25 * 6	2.125 53.98	.125 3.18	1.753 44.52	+0.001/-0.001 +0.025/-0.025	1 1/4-12	3,450 390	950	4.20 1.91	CFE 3 CFE 3 B CCFE 3 CCFE 3 B	CFE 3 S CFE 3 SB CCFE 3 S CCFE 3 SB
				N/A								

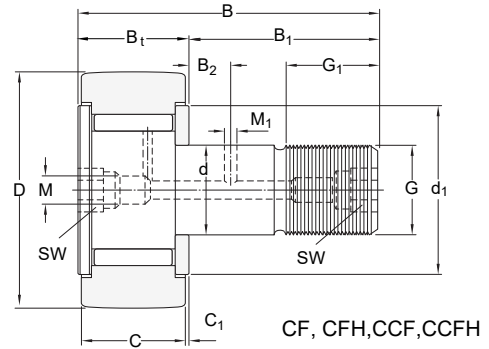


Designation		D		C		d		B ₁	C ₁	G ₁	B	R	e	Be	de	Max. dynamic radial loads	Max. static radial loads
W/O Seals	With Seals	Outside diameter		Outer ring width		Stud diameter		Stud length	Distance outer ring face to washer face	Min thread length	Total length	Crown	Eccentric				
		inch mm		inch mm		inch mm		inch mm	inch mm	inch mm	inch mm	Prefix CCF-XX	Base modifier CFE-XX				
		Nom.	Tol.	Nom.	Tol.	Nom.	Tol.	(Ref)	(Ref)	(Ref)	(Ref)	Radius (Ref)	(Ref)	+0/-010	±.001		
CFH 3 CFH 3 B CCFH 3 CCFH 3 B	CFH 3 S CFH 3 SB CCFH 3 S CCFH 3 SB	3.000 76.20	+0/-0.001 +0/-0.03	1.750 44.45	+0 / -.005 +0 / -.13	1.500 38.10	+0.01/-0 +.03/-0	2.50 63.5	.031 .8	1.25 31.75	4.28 108.7	Cylindrical 30 762	N/A	N/A	N/A	15,720 69,923	49,820 221,599
CF 3 1/4 CF 3 1/4 B CCF 3 1/4 CCF 3 1/4 B	CF 3 1/4 S CF 3 1/4 SB CCF 3 1/4 S CCF 3 1/4 SB	3.250 82.55	+0/-0.001 +0/-0.03	1.750 44.45	+0 / -.005 +0 / -.13	1.250 31.75	+0.01/-0 +.03/-0	2.50 63.5	.031 .8	1.25 31.75	4.28 108.7	Cylindrical 30 762	N/A	N/A	N/A	15,720 69,923	24,910 110,800
CFE 3 1/4 CFE 3 1/4 B CCFE 3 1/4 CCFE 3 1/4 B	CFE 3 1/4 S CFE 3 1/4 SB CCFE 3 1/4 S CCFE 3 1/4 SB	3.250 82.55	+0/-0.001 +0/-0.03	1.750 44.45	+0 / -.005 +0 / -.13	1.250 31.75	+0.01/-0 +.03/-0	2.50 63.5	.031 .8	1.25 31.75	4.28 108.7	Cylindrical 30 762	.060 .52	1.250 31.75	1.750 44.45		
CFH 3 1/4 CFH 3 1/4 B CCFH 3 1/4 CCFH 3 1/4 B	CFH 3 1/4 S CFH 3 1/4 SB CCFH 3 1/4 S CCFH 3 1/4 SB	3.250 82.55	+0/-0.001 +0/-0.03	1.750 44.45	+0 / -.005 +0 / -.13	1.500 38.10	+0.01/-0 +.03/-0	2.50 63.5	.031 .8	1.25 31.75	4.28 108.7	Cylindrical 30 762	N/A	N/A	N/A	15,720 69,923	49,820 221,599
CF 3 1/2 CF 3 1/2 B CCF 3 1/2 CCF 3 1/2 B	CF 3 1/2 S CF 3 1/2 SB CCF 3 1/2 S CCF 3 1/2 SB	3.500 88.90	+0/-0.001 +0/-0.03	2.000 50.80	+0 / -.005 +0 / -.13	1.375 34.93	+0.01/-0 +.03/-0	2.75 69.9	.031 .8	1.375 34.93	4.78 121.4	Cylindrical 30 762	N/A	N/A	N/A	22,800 101,414	31,625 140,668
CFE 3 1/2 CFE 3 1/2 B CCFE 3 1/2 CCFE 3 1/2 B	CFE 3 1/2 S CFE 3 1/2 SB CCFE 3 1/2 S CCFE 3 1/2 SB	3.500 88.90	+0/-0.001 +0/-0.03	2.000 50.80	+0 / -.005 +0 / -.13	1.375 34.93	+0.01/-0 +.03/-0	2.75 69.9	.031 .8	1.375 34.93	4.78 121.4	Cylindrical 30 762	.060 .52	1.375 34.93	1.812 46.02		
CFH 3 1/2 CFH 3 1/2 B CCFH 3 1/2 CCFH 3 1/2 B	CFH 3 1/2 S CFH 3 1/2 SB CCFH 3 1/2 S CCFH 3 1/2 SB	3.500 88.90	+0/-0.001 +0/-0.03	2.000 50.80	+0 / -.005 +0 / -.13	1.750 44.45	+0.01/-0 +.03/-0	2.75 69.9	.031 .8	1.375 34.93	4.78 121.4	Cylindrical 30 762	N/A	N/A	N/A	22,800 101,414	63,250 281,336
CF 4 CF 4 B CCF 4 CCF 4 B	CF 4 S CF 4 SB CCF 4 S CCF 4 SB	4.000 101.60	+0/-0.001 +0/-0.03	2.250 57.15	+0 / -.005 +0 / -.13	1.500 38.10	+0.01/-0 +.03/-0	3.50 88.9	.031 .8	1.50 38.1	5.78 146.8	Cylindrical 30 762	N/A	N/A	N/A	22,800 101,414	44,770 199,137
CFE 4 CFE 4 B CCFE 4 CCFE 4 B	CFE 4 S CFE 4 SB CCFE 4 S CCFE 4 SB	4.000 101.60	+0/-0.001 +0/-0.03	2.250 57.15	+0 / -.005 +0 / -.13	1.500 38.10	+0.01/-0 +.03/-0	3.50 88.9	.031 .8	1.50 38.1	5.78 146.8	Cylindrical 30 762	.060 .52	2.000 50.80	2.000 50.80		
CFH 4 CFH 4 B CCFH 4 CCFH 4 B	CFH 4 S CFH 4 SB CCFH 4 S CCFH 4 SB	4.000 101.60	+0/-0.001 +0/-0.03	2.250 57.15	+0 / -.005 +0 / -.13	2.000 50.80	+0.01/-0 +.03/-0	3.50 88.9	.031 .8	1.50 38.1	5.78 146.8	Cylindrical 30 762	N/A	N/A	N/A	29,985 133,373	89,540 398,274
-	CF 5 SB CCF 5 SB	5.000 127.00	+0/-0.001 +0/-0.03	2.750 69.85	+0 / -.005 +0 / -.13	2.000 50.80	+0.01/-0 +.03/-0	5.06 128.6	.062 1.57	2.563 65.1	7.88 200.0	Cylindrical 48 1,219	N/A	N/A	N/A	46,575 207,166	67,950 302,242
-	CFH 5 SB CCFH 5 SB	5.000 127.00	+0/-0.001 +0/-0.03	2.750 69.85	+0 / -.005 +0 / -.13	2.500 63.50	+0.01/-0 +.03/-0	5.06 128.6	.062 1.57	2.563 65.1	7.88 200.0	Cylindrical 48 1,219	N/A	N/A	N/A	46,575 207,166	135,900 604,483
-	CF 6 SB CCF 6 SB	6.000 152.40	+0/-0.001 +0/-0.03	3.250 82.55	+0 / -.005 +0 / -.13	2.500 63.50	+0.01/-0 +.03/-0	6.00 152.4	.062 1.57	3.00 76.2	9.31 236.5	Cylindrical 56 1,422	N/A	N/A	N/A	60,000 266,880	80,450 357,842
-	CFH 6 SB CCFH 6 SB	6.000 152.40	+0/-0.001 +0/-0.03	3.250 82.55	+0 / -.005 +0 / -.13	2.500 63.50	+0.01/-0 +.03/-0	6.00 152.4	.062 1.57	3.00 76.2	9.31 236.5	Cylindrical 56 1,422	N/A	N/A	N/A	60,000 266,880	160,900 715,683
-	CF 7 SB CCF 7 SB	7.000 177.80	+0/-0.001 +0/-0.03	3.750 95.25	+0 / -.005 +0 / -.13	3.000 76.20	+0.01/-0 +.03/-0	7.69 195.3	.062 1.57	4.125 104.77	11.50 292.1	Cylindrical 60 1,524	N/A	N/A	N/A	75,380 335,290	106,930 475,625

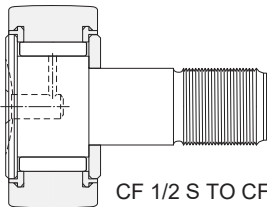


B ₂	M ₁	SW	d ₁	r	HBD		G	M _A	nDG	Mass	Designation	
Distance lubrication hole to washer face	Diameter of lubrication hole (shank)	Width of flats	Thrust washer outside diameter	Minimum Fillet radius	Housing Bore Diameter		Thread Type	Clamping Torque	Limiting Speed (Grease)	Bearing Weight	W/O Seals	With Seals
inch mm			inch mm		inch mm			in-lb Nm	RPM	lb kg		
(Ref)	(Ref)	(Ref)	(Ref)	(Ref)	Nom.	Tol.						
.625 16	.125 3	.25 * 6	2.125 53.98	.125 3.18	1.5003	+0.0002/-0.0003 +0.0005/-0.0008	1 1/2-12	5,000 565	950	4.56 2.07	CFH 3	CFH 3 S
				N/A	38.108	CCFH 3					CCFH 3 B	
.625 16	.125 3	.25 * 6	2.125 53.98	.125 3.18	1.2503	+0.0002/-0.0003 +0.0005/-0.0008	1 1/4-12	3,450 390	880	4.81 2.18	CF 3 1/4	CF 3 1/4 S
				N/A	31.758	CF 3 1/4 B					CF 3 1/4 SB	
.625 16	.125 3	.25 * 6	2.125 53.98	.125 3.18	1.753	+0.001/-0.001 +0.025/-0.025	1 1/4-12	5,000 565	880	5.19 2.35	CFE 3 1/4	CFE 3 1/4 S
				N/A	44.52	CFE 3 1/4 B					CFE 3 1/4 SB	
.625 16	.125 3	.25 * 6	2.125 53.98	.125 3.18	1.5003	+0.0002/-0.0003 +0.0005/-0.0008	1 1/2-12	5,000 565	880	5.19 2.35	CCFE 3 1/4	CCFE 3 1/4 S
				N/A	38.108	CCFE 3 1/4 B					CCFE 3 1/4 SB	
.6875 17	.125 3	.25 * 6	2.438 61.91	.125 3.18	1.3753	+0.0002/-0.0003 +0.0005/-0.0008	1 3/8-12	4,200 475	820	6.42 2.91	CFH 3 1/2	CFH 3 1/2 S
				N/A	34.933	CF 3 1/2					CF 3 1/2 SB	
.6875 17	.125 3	.25 * 6	2.438 61.91	.125 3.18	1.815	+0.001/-0.001 +0.025/-0.025	1 3/8-12	5,000 565	820	7.01 3.18	CCF 3 1/2	CCF 3 1/2 S
				N/A	46.10	CCF 3 1/2 B					CCF 3 1/2 SB	
.6875 17	.125 3	.25 * 6	2.438 61.91	.125 3.18	1.7503	+0.0002/-0.0003 +0.0005/-0.0008	1 3/4-12	5,000 565	820	7.01 3.18	CFE 3 1/2	CFE 3 1/2 S
				N/A	44.458	CFE 3 1/2 B					CFE 3 1/2 SB	
.75 19	.125 3	.25 * 6	2.797 71.04	.125 3.18	1.5003	+0.0002/-0.0003 +0.0005/-0.0008	1 1/2-12	5,000 565	700	9.46 4.29	CFH 3 1/2 B	CFH 3 1/2 SB
				N/A	38.108	CFH 3 1/2 S					CFH 3 1/2 SB	
.75 19	.125 3	.25 * 6	2.797 71.04	.125 3.18	2.002	+0.001/-0.001 +0.025/-0.025	1 1/2-12	5,000 565	700	10.83 4.91	CF 4	CF 4 S
				N/A	50.85	CF 4 B					CF 4 SB	
.75 19	.125 3	.25 * 6	2.797 71.04	.125 3.18	2.0003	+0.0002/-0.0003 +0.0005/-0.0008	2-12	5,000 565	700	10.83 4.91	CCF 4	CCF 4 S
				N/A	50.808	CCF 4 B					CCF 4 SB	
.75 19	.125 3	.25 * 6	2.797 71.04	.125 3.18	2.0003	+0.0002/-0.0003 +0.0005/-0.0008	2-12	5,000 565	700	10.83 4.91	CFE 4	CFE 4 S
				N/A	50.808	CFE 4 B					CFE 4 SB	
.75 19	.125 3	.25 * 6	2.797 71.04	.125 3.18	2.0003	+0.0002/-0.0003 +0.0005/-0.0008	2-12	5,000 565	700	10.83 4.91	CCFE 4	CCFE 4 S
				N/A	50.808	CCFE 4 B					CCFE 4 SB	
.875 22	.1875 5	1/4" NPT	3.563 90.49	.125 3.18	2.0003	+0.0002/-0.0003 +0.0005/-0.0008	2-12	5,000 565	575	19.60 8.89	CFH 4	CFH 4 S
				N/A	50.808	CFH 4 B					CFH 4 SB	
.875 22	.1875 5	1/4" NPT	3.563 90.49	.125 3.18	2.5030	+0.0002/-0.0003 +0.0005/-0.0008	2 1/2-12	5,000 565	575	22.10 10.02	CF 5	CF 5 S
				N/A	63.576	CF 5 B					CF 5 SB	
1.00 25	.1875 5	1/4" NPT	4.469 113.51	.125 3.18	2.5030	+0.0002/-0.0003 +0.0005/-0.0008	2 1/2-12	5,000 565	475	32.73 14.85	CFH 5	CFH 5 S
				N/A	63.576	CFH 5 B					CFH 5 SB	
1.00 25	.1875 5	1/4" NPT	4.469 113.51	.125 3.18	3.0003	+0.0002/-0.0003 +0.0005/-0.0008	3-12	5,000 565	475	36.41 16.52	CF 6	CF 6 S
				N/A	76.208	CF 6 B					CF 6 SB	
1.25 32	.1875 5	1/4" NPT	5.188 131.76	.125 3.18	3.0003	+0.0002/-0.0003 +0.0005/-0.0008	3-12	5,000 565	400	54.73 24.83	CFH 6	CFH 6 S
				N/A	76.208	CFH 6 B					CFH 6 SB	

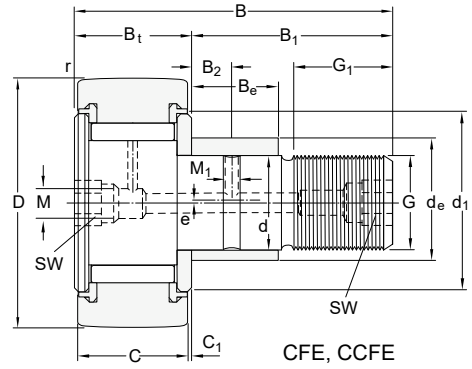
Inch Cam Followers



Designation		D		C		d		B ₁	C ₁	G ₁	B	R	e	Be	de	Max. dynamic radial loads	Max. static radial loads
W/O Seals	With Seals	Outside diameter		Outer ring width		Stud diameter		Stud length	Distance outer ring face to washer face	Min thread length	Total length	Crown	Eccentric				
		inch mm		inch mm		inch mm		inch mm	inch mm	inch mm	inch mm	inch mm	Base modifier CFE-XX				
		Nom.	Tol.	Nom.	Tol.	Nom.	Tol.	(Ref)	(Ref)	(Ref)	(Ref)	Radius (Ref)	(Ref)	+0/-010	±.001		
-	CFH 7 SB	7.000	+0/-0.001	3.750	+0 / -.005	3.000	+0.001/-0	7.69	.062	4.125	11.50	Cylindrical	N/A	N/A	N/A	75,380	213,860
	CCFH 7 SB	177.80	+0/-0.03	95.25	+0 / -.13	76.20	+0.03/-0	195.3	1.57	104.77	292.1	60 1,524					
-	CF 8 SB	8.000	*	4.250	*	3.250	+0.001/-0	8.50	.125	4.25	12.81	Cylindrical	N/A	N/A	N/A	92,200	144,100
	CCF 8 SB	203.20		107.95		82.55	+0.03/-0	215.9	3.175	107.95	325.4	40 1,016					
-	CF 9 SB	9.000	*	4.750	*	3.750	+0.001/-0	9.50	.125	4.75	14.31	Cylindrical	N/A	N/A	N/A	113,260	183,430
	CCF 9 SB	228.60		120.65		95.25	+0.03/-0	241.3	3.175	120.65	363.5	40 1,016					
-	CF 10 SB	10.000	*	5.250	*	4.250	+0.001/-0	10.00	.125	4.75	15.31	Cylindrical	N/A	N/A	N/A	131,545	215,565
	CCF 10 SB	254.00		133.35		107.95	+0.03/-0	254.0	3.175	120.65	388.9	40 1,016					



CF 1/2 S TO CF 5/8 S



B ₂	M ₁	SW	d ₁	r	HBD		G	M _A	nDG	Mass	Designation	
Distance lubrication hole to washer face	Diameter of lubrication hole (shank)	Width of flats	Thrust washer outside diameter	Minimum Fillet radius	Housing Bore Diameter		Thread Type	Clamping Torque	Limiting Speed (Grease)	Bearing Weight	W/O Seals	With Seals
inch mm			inch mm		inch mm			in-lb Nm	RPM	lb kg		
(Ref)	(Ref)	(Ref)	(Ref)	(Ref)	Nom.	Tol.						
1.25 32	.1875 5	1/4" NPT	5.188 131.76	.125 3.18	3.5003 88.908	+0.002/-0.003 +0.0005/-0.0008	3 1/2-4	5,000 565	400	68.03 30.86	-	CFH 7 S CCFH 7 S
-	-	1/4" NPT	4.375 111.13	.219 5.56	3.2503 82.558	+0.002/-0.003 +0.0005/-0.0008	3 1/4-4	5,000 565	350	79.80 36.19	-	CF 8 S CCF 8 S
-	-	1/4" NPT	5.063 128.59	.250 6.35	3.7503 95.258	+0.002/-0.003 +0.0005/-0.0008	3 1/2-4	5,000 565	300	111.60 50.62	-	CF 9 S CCF 9 S
-	-	1/4" NPT	5.469 138.91	.281 7.14	4.2503 107.958	+0.002/-0.003 +0.0005/-0.0008	3 1/2-4	5,000 565	275	148.20 67.22	-	CF 10 S CCF 10 S

Variaty Inch Cam Followers

Type Features							Mc.GILL	TORR.	RBC	SMITH	NTN	IKO	INA · SKF
Inch	no cage	flat	screw	unsealed	std stud	concentric	CF-..	CR-..	S..	CR-..	CRV..X	CR..V	CF-..
Inch	no cage	flat	screw	sealed	std stud	concentric	CF-..-S	CRS-..	S..L	CR-..X	CRV..XLL	CR..VUU	CF-..-PP
Inch	no cage	flat	hex	unsealed	std stud	concentric	CF-..-B	CRB-..	S..W	CR-..B	CRV..XH	CR..VB	CF..SK
Inch	no cage	flat	hex	sealed	std stud	concentric	CF-..-SB	CRSB-..	S..LW	CR-..XB	CRV..XLLH	CR..VBUU	CF..PPSK
Inch	no cage	crown	screw	unsealed	std stud	concentric	CCF-..	CRC-..	CS..	CR-..C	CRV	CR..VR	CF-..-Y
Inch	no cage	crown	screw	sealed	std stud	concentric	CCF-..-S	CRSC-..	CS..L	CR-..XC	CRV..LL	CR..VUUR	CF-..-PPY
Inch	no cage	crown	hex	unsealed	std stud	concentric	CCF-..-B	CRBC-..	CS..W	CR-..BC	CRV..H	CR..VBR	CF..YSK
Inch	no cage	crown	hex	sealed	std stud	concentric	CCF-..-SB	CRSBC-..	CS..LW	CR-..XBC	CRV..LLH	CR..VBUUR	CF..PPYSK
Inch	no cage	flat	screw	unsealed	heavy stud	concentric	CFH-..	CRH-..	H..	HR-..	-	CRH..V	-
Inch	no cage	flat	screw	sealed	heavy stud	concentric	CFH-..-S	CRHS-..	H..L	HR-..X	-	CRH..VUU	-
Inch	no cage	flat	hex	unsealed	heavy stud	concentric	CFH-..-B	CRHB-..	H..W	HR-..B	-	CRH..VB	-
Inch	no cage	flat	hex	sealed	heavy stud	concentric	CFH-..-SB	CRHSB-..	H..LW	HR-..XB	-	CRH..VBUU	-
Inch	no cage	crown	screw	unsealed	heavy stud	concentric	CCFH-..	CRHC-..	CH..	HR-..C	-	CRH..VR	-
Inch	no cage	crown	screw	sealed	heavy stud	concentric	CCFH-..-S	CRHSC-..	CH..L	HR-..XC	-	CRH..VUUR	-
Inch	no cage	crown	hex	unsealed	heavy stud	concentric	CCFH-..-B	CRHBC-..	CH..W	HR-..BC	-	CRH..VBR	-
Inch	no cage	crown	hex	sealed	heavy stud	concentric	CCFH-..-SB	CRHSBC-..	CH..LW	HR-..XBC	-	CRH..VBUUR	-
Inch	no cage	flat	screw	unsealed	std stud	eccentric	CFE-..	CRE-..	S..X	CR-..E	-	-	CFE
Inch	no cage	flat	screw	sealed	std stud	eccentric	CFE-..-S	CRSE-..	S..LX	CR-..XE	-	-	CFE..PP
Inch	no cage	flat	hex	unsealed	std stud	eccentric	CFE-..-B	CRBE-..	S..WX	CR-..BE	-	-	CFE..SK
Inch	no cage	flat	hex	sealed	std stud	eccentric	CFE-..-SB	CRSBE-..	S..LWX	CR-..XBE	-	-	CFE..PPSK
Inch	no cage	crown	screw	unsealed	std stud	eccentric	CCFE-..	CREC-..	CS..X	CR-..EC	-	-	CFE..Y
Inch	no cage	crown	screw	sealed	std stud	eccentric	CCFE-..-S	CRSEC-..	CS..LX	CR-..XEC	-	-	CFE..PPY
Inch	no cage	crown	hex	unsealed	std stud	eccentric	CCFE-..-B	CRBEC-..	CS..WX	CR-..BEC	-	-	CFE..YSK
Inch	no cage	crown	hex	sealed	std stud	eccentric	CCFE-..-SB	CRSBEC-..	CS..LWX	CR-..XBEC	-	-	CFE..PPYSK
inch	cage	crown	screw	unsealed	std stud	concentric	-	-	-	-	CR	CR..R	CFC..Y
Inch	cage	crown	screw	sealed	std stud	concentric	-	-	-	-	CR..LL	CR..UUR	CFC..PPY
Inch	cage	flat	screw	unsealed	std stud	concentric	-	-	-	-	CR..X	CR	CFC
Inch	cage	flat	screw	sealed	std stud	concentric	-	-	-	-	CR..XLL	CR..UU	CFC..PP
inch	cage	crown	hex	unsealed	std stud	concentric	-	-	-	-	CR..H	CR..BR	CFC..YSK
Inch	cage	crown	hex	sealed	std stud	concentric	-	-	-	-	CR..LLH	CR..BUUR	CFC..PPYSK
Inch	cage	flat	hex	unsealed	std stud	concentric	-	-	-	-	CR..XH	CR..B	CFC..SK
Inch	cage	flat	hex	sealed	std stud	concentric	-	-	-	-	CR..XLLH	CR..BUU	CFC..PPSK

Interchange of Inch Cam Followers

WITHOUT SEALS

McGILL		TORRINGTON		RBC		SMITH (OLD)		SMITH (NEW)		INA		IKO		NTN	
STD. STUD	HEAVY STUD	STD. STUD	HEAVY STUD	STD. STUD	HEAVY STUD	STD. STUD	HEAVY STUD	STD. STUD	HEAVY STUD	STD. STUD	HEAVY STUD	STD. STUD	HEAVY STUD	STD. STUD	HEAVY STUD
CF-1/2-N		CR-8				CTA-1-A		CR-1/2-A			NA	CR 8 V		CRV8X	NA
CF-1/2	CFH-1/2	CR-8-1	CRH-8-1	S-16	H-16	CTA-3	HCS-3	CR-1/2	HR-1/2	CF-8-1	NA	CR 8-1 V	CRH 8-1 V	CRV8-1X	NA
CF-9/16	CFH-9/16			S-18	H-18	CTA-5		CR-9/16			NA		CRH 9 V		NA
CF-5/8-N		CR-10				CTA-9-A		CR-5/8-A			NA	CR 10 V		CRV10X	NA
CF-5/8	CFH-5/8	CR-10-1	CRH-10-1	S-20	H-20	CTA-13	HCS-13	CR-5/8	HR-5/8	CF-10-1	NA	CR 10-1 V	CRH 10-1 V	CRV10-1X	NA
CF-11/16	CFH-11/16			S-22	H-22	CTA-15		CR-11/16			NA		CRH 11 V		NA
CF-3/4	CFH-3/4	CR-12	CRH-12	S-24	H-24	CTA-21	HCS-21	CR-3/4	HR-3/4	CF-12	NA	CR 12 V	CRH 12 V	CRV12X	NA
CF-7/8	CFH-7/8	CR-14	CRH-14	S-28	H-28	CTA-27	HCS-27	CR-7/8	HR-7/8	CF-14	NA	CR 14 V	CRH 14 V	CRV14X	NA
CF-1	CFH-1	CR-16	CRH-16	S-32	H-32	CTA-31	HCS-31	CR-1	HR-1	CF-16	NA	CR 16 V	CRH 16 V	CRV16X	NA
CF-1 1/8	CFH-1 1/8	CR-18	CRH-18	S-36	H-36	CTA-35	HCS-35	CR-1 1/8	HR-1 1/8	CF-18	NA	CR 18 V	CRH 18 V	CRV18X	NA
CF-1 1/4	CFH-1 1/4	CR-20	CRH-20	S-40	H-40	CTA-45	HCS-45	CR-1 1/4	HR-1 1/4	CF-20	NA	CR 20 V	CRH 20 V	CRV20X	NA
CF-1 3/8	CFH-1 3/8	CR-22	CRH-22	S-44	H-44	CTA-47	HCS-47	CR-1 3/8	HR-1 3/8	CF-22	NA	CR 22 V	CRH 22 V	CRV22X	NA
CF-1 1/2	CFH-1 1/2	CR-24	CRH-24	S-48	H-48	CTA-51	HCS-51	CR-1 1/2	HR-1 1/2	CF-24	NA	CR 24 V	CRH 24 V	CRV24X	NA
CF-1 5/8	CFH-1 5/8	CR-26	CRH-26	S-52	H-52	CTA-57	HCS-57	CR-1 5/8	HR-1 5/8	CF-26	NA	CR 26 V	CRH 26 V	CRV26X	NA
CF-1 3/4	CFH-1 3/4	CR-28	CRH-28	S-56	H-56	CTA-65	HCS-65	CR-1 3/4	HR-1 3/4	CF-28	NA	CR 28 V	CRH 28 V	CRV28X	NA
CF-1 7/8	CFH-1 7/8	CR-30	CRH-30	S-60	H-60	CTA-69	HCS-69	CR-1 7/8	HR-1 7/8	CF-30	NA	CR 30 V	CRH 30 V	CRV30X	NA
CF-2	CFH-2	CR-32	CRH-32	S-64	H-64	CTA-75	HCS-75	CR-2	HR-2	CF-32	NA	CR 32 V	CRH 32 V	CRV32X	NA
CF-2 1/4	CFH-2 1/4	CR-36	CRH-36	S-72	H-72	CTA-79	HCS-79	CR-2 1/4	HR-2 1/4	CF-36	NA	CR 36 V	CRH 36 V	CRV36X	NA
CF-2 1/2	CFH-2 1/2	CR-40	CRH-40	S-80	H-80	CTA-85	HCS-85	CR-2 1/2	HR-2 1/2	CF-40	NA		CRH 40 V	CRV40X	NA
CF-2 3/4	CFH-2 3/4	CR-44	CRH-44	S-88	H-88	CTA-93	HCS-93	CR-2 3/4	HR-2 3/4	CF-44	NA		CRH 44 V	CRV44X	NA
CF-3	CFH-3	CR-48	CRH-48	S-96	H-96	CTA-101	HCS-101	CR-3	HR-3	CF-48	NA		CRH 48 V	CRV48X	NA
CF-3 1/4	CFH-3 1/4	CR-52	CRH-52	S-104	H-104	CTA-109	HCS-109	CR-3 1/4	HR-3 1/4	CF-52	NA		CRH 52 V	CRV52X	NA
CF-3 1/2	CFH-3 1/2	CR-56	CRH-56	S-112	H-112	CTA-117	HCS-117	CR-3 1/2	HR-3 1/2	CF-56	NA		CRH 56 V	CRV56X	NA
CF-4	CFH-4	CR-64	CRH-64	S-128	H-128	CTA-125	HCS-125	CR-4	HR-4	CF-64	NA		CRH 64 V	CRV64X	NA

WITH SEALS

McGILL		TORRINGTON		RBC		SMITH (OLD)		SMITH (NEW)		INA		IKO		NTN	
STD. STUD	HEAVY STUD	STD. STUD	HEAVY STUD	STD. STUD	HEAVY STUD	STD. STUD	HEAVY STUD	STD. STUD	HEAVY STUD	STD. STUD	HEAVY STUD	STD. STUD	HEAVY STUD	STD. STUD	HEAVY STUD
CF-1/2-N-S		CRS-8				CTA-1-AX		CR-1/2-AX			NA	CR 8 VUU		CRV8XLL	NA
CF-1/2-S	CFH-1/2-S	CRS-8-1	CRHS-8-1	S-16-L	H-16-L	CTA-3X	HCS-3X	CR-1/2X	HR-1/2X	CF-8-1-PP	NA	CR 8-1 VUU	CRH 8-1 VUU	CRV8-1XLL	NA
CF-9/16-S	CFH-9/16-S			S-18-L	H-18-L	CTA-5X		CR-9/16X			NA		CRH 9 VUU		NA
CF-5/8-N-S		CRS-10				CTA-9-AX		CR-5/8-AX			NA	CR 10 VUU		CRV10XLL	NA
CF-5/8-S	CFH-5/8-S	CRS-10-1	CRHS-10-1	S-20-L	H-20-L	CTA-13X	HCS-13X	CR-5/8X	HR-5/8X	CF-10-1-PP	NA	CR 10-1 VUU	CRH 10-1 VUU	CRV10-1XLL	NA
CF-11/16-S				S-22-L	H-22-L	CTA-15X		CR-11/16X			NA		CRH 11 VUU		NA
CF-3/4-S	CFH-3/4-S	CRS-12	CRHS-12	S-24-L	H-24-L	CTA-21X	HCS-21X	CR-3/4X	HR-3/4X	CF-12-PP	NA	CR 12 VUU	CRH 12 VUU	CRV12XLL	NA
CF-7/8-S	CFH-7/8-S	CRS-14	CRHS-14	S-28-L	H-28-L	CTA-27X	HCS-27X	CR-7/8X	HR-7/8X	CF-14-PP	NA	CR 14 VUU	CRH 14 VUU	CRV14XLL	NA
CF-1-S	CFH-1-S	CRS-16	CRHS-16	S-32-L	H-32-L	CTA-31X	HCS-31X	CR-1X	HR-1X	CF-16-PP	NA	CR 16 VUU	CRH 16 VUU	CRV16XLL	NA
CF-1 1/8-S	CFH-1 1/8-S	CRS-18	CRHS-18	S-36-L	H-36-L	CTA-35X	HCS-35X	CR-1 1/8X	HR-1 1/8X	CF-18-PP	NA	CR 18 VUU	CRH 18 VUU	CRV18XLL	NA
CF-1 1/4-S	CFH-1 1/4-S	CRS-20	CRHS-20	S-40-L	H-40-L	CTA-45X	HCS-45X	CR-1 1/4X	HR-1 1/4X	CF-20-PP	NA	CR 20 VUU	CRH 20 VUU	CRV20XLL	NA
CF-1 3/8-S	CFH-1 3/8-S	CRS-22	CRHS-22	S-44-L	H-44-L	CTA-47X	HCS-47X	CR-1 3/8X	HR-1 3/8X	CF-22-PP	NA	CR 22 VUU	CRH 22 VUU	CRV22XLL	NA
CF-1 1/2-S	CFH-1 1/2-S	CRS-24	CRHS-24	S-48-L	H-48-L	CTA-51X	HCS-51X	CR-1 1/2X	HR-1 1/2X	CF-24-PP	NA	CR 24 VUU	CRH 24 VUU	CRV24XLL	NA
CF-1 5/8-S	CFH-1 5/8-S	CRS-26	CRHS-26	S-52-L	H-52-L	CTA-57X	HCS-57X	CR-1 5/8X	HR-1 5/8X	CF-26-PP	NA	CR 26 VUU	CRH 26 VUU	CRV26XLL	NA
CF-1 3/4-S	CFH-1 3/4-S	CRS-28	CRHS-28	S-56-L	H-56-L	CTA-65X	HCS-65X	CR-1 3/4X	HR-1 3/4X	CF-28-PP	NA	CR 28 VUU	CRH 28 VUU	CRV28XLL	NA
CF-1 7/8-S	CFH-1 7/8-S	CRS-30	CRHS-30	S-60-L	H-60-L	CTA-69X	HCS-69X	CR-1 7/8X	HR-1 7/8X	CF-30-PP	NA	CR 30 VUU	CRH 30 VUU	CRV30XLL	NA
CF-2-S	CFH-2-S	CRS-32	CRHS-32	S-64-L	H-64-L	CTA-75X	HCS-75X	CR-2X	HR-2X	CF-32-PP	NA	CR 32 VUU	CRH 32 VUU	CRV32XLL	NA
CF-2 1/4-S	CFH-2 1/4-S	CRS-36	CRHS-36	S-72-L	H-72-L	CTA-79X	HCS-79X	CR-2 1/4X	HR-2 1/4X	CF-36-PP	NA	CR 36 VUU	CRH 36 VUU	CRV36XLL	NA
CF-2 1/2-S	CFH-2 1/2-S	CRS-40	CRHS-40	S-80-L	H-80-L	CTA-85X	HCS-85X	CR-2 1/2X	HR-2 1/2X	CF-40-PP	NA		CRH 40 VUU	CRV40XLL	NA
CF-2 3/4-S	CFH-2 3/4-S	CRS-44	CRHS-44	S-88-L	H-88-L	CTA-93X	HCS-93X	CR-2 3/4X	HR-2 3/4X	CF-44-PP	NA		CRH 44 VUU	CRV44XLL	NA
CF-3-S	CFH-3-S	CRS-48	CRHS-48	S-96-L	H-96-L	CTA-101X	HCS-101X	CR-3X	HR-3X	CF-48-PP	NA	CR 48 VUU	CRH 48 VUU	CRV48XLL	NA
CF-3 1/4-S	CFH-3 1/4-S	CRS-52	CRHS-52	S-104-L	H-104-L	CTA-109X	HCS-109X	CR-3 1/4X	HR-3 1/4X	CF-52-PP	NA		CRH 52 VUU	CRV52XLL	NA
CF-3 1/2-S	CFH-3 1/2-S	CRS-56	CRHS-56	S-112-L	H-112-L	CTA-117X	HCS-117X	CR-3 1/2X	HR-3 1/2X	CF-56-PP	NA		CRH 56 VUU	CRV56XLL	NA
CF-4-S	CFH-4-S	CRS-64	CRHS-64	S-128-L	H-128-L	CTA-125X	HCS-125X	CR-4X	HR-4X	CF-64-PP	NA		CRH 64 VUU	CRV64XLL	NA
CF-5-S	CFH-5-S	CRSB-80	CRHSB-80	S-160-LW	H-160-LW	CTA-137X		CR-5XB			NA			CRV80XLL	NA
CF-6-S	CFH-6-S	CRSB-96	CRHSB-96	S-192-LW	H-192-LW			CR-6XB			NA			CRV96XLL	NA
CF-7-S	CFH-7-S	CRSB-112	CRHSP-112												
CF-8-S															
CF-9-S															
CF-10-S															

Optional feature	McGill	Torrington	RBC	Smith	INA	IKO	NTN
Hex hole	Add Suffix "B"	Add Prefix "B"	Add Suffix "W"	Add Suffix "B"	Add Suffix "SK"	Add Suffix "B"	Add Suffix "H"
Eccentric Stud	Add Prefix "E"	Add Prefix "E"	Add Suffix "X"	Add Suffix "E"	Add Suffix "E"	add prefix "E"	
Crowned OD	Add Prefix "C"	Add Prefix "C"	Add Prefix "C"	Add Suffix "C"	Add Suffix "Y"	Add Prefix "R"	Remove suffix "X"
Seal	Add Suffix "S"	Add Prefix "S"	Add Suffix "L"	Add Suffix "X"	Add Suffix "PP"	add suffix "UU"	add suffix "LL"

Interchange of Cam Follower - Inch Series

Metric	With Cage	Crowned OD	Hex Socket	With Seals	Concentric	CF
Inch	Full Roller	Cylindrical OD	Slot Socket	W/O Seals	Eccentric	

Mc.GILL	TORR. NSK	RBC	SMITH	INA SKF	IKO	NTN
CF-1/2-N	CR-8	-	CR-1/2-A	-	CR 8 V	CRV8X
CF-1/2	CR-8-1	S-16	CR-1/2	CF-8-1	CR 8-1 V	CRV8-1X
CF-9/16	-	S-18	CR-9/16	-	-	-
CF-5/8-N	CR-10	-	CR-5/8-A	-	CR 10 V	CRV10X
CF-5/8	CR-10-1	S-20	CR-5/8	CF-10-1	CR 10-1 V	CRV10-1X
CF-11/16	-	S-22	CR-11/16	-	-	-
CF-3/4	CR-12	S-24	CR-3/4	CF-12	CR 12 V	CRV12X
CF-7/8	CR-14	S-28	CR-7/8	CF-14	CR 14 V	CRV14X
CF-1	CR-16	S-32	CR-1	CF-16	CR 16 V	CRV16X
CF-1 1/8	CR-18	S-36	CR-1 1/8	CF-18	CR 18 V	CRV18X
CF-1 1/4	CR-20	S-40	CR-1 1/4	CF-20	CR 20 V	CRV20X
CF-1 3/8	CR-22	S-44	CR-1 3/8	CF-22	CR 22 V	CRV22X
CF-1 1/2	CR-24	S-48	CR-1 1/2	CF-24	CR 24 V	CRV24X
CF-1 5/8	CR-26	S-52	CR-1 5/8	CF-26	CR 26 V	CRV26X
CF-1 3/4	CR-28	S-56	CR-1 3/4	CF-28	CR 28 V	CRV28X
CF-1 7/8	CR-30	S-60	CR-1 7/8	CF-30	CR 30 V	CRV30X
CF-2	CR-32	S-64	CR-2	CF-32	CR 32 V	CRV32X
CF-2 1/4	CR-36	S-72	CR-2 1/4	CF-36	CR 36 V	CRV36X
CF-2 1/2	CR-40	S-80	CR-2 1/2	CF-40	-	CRV40X
CF-2 3/4	CR-44	S-88	CR-2 3/4	CF-44	-	CRV44X
CF-3	CR-48	S-96	CR-3	CF-48	-	CRV48X
CF-3 1/4	CR-52	S-104	CR-3 1/4	CF-52	-	CRV52X
CF-3 1/2	CR-56	S-112	CR-3 1/2	CF-56	-	CRV56X
CF-4	CR-64	S-128	CR-4	CF-64	-	CRV64X
-	-	-	-	-	-	-
-	-	-	-	-	-	-
-	-	-	-	-	-	-
-	-	-	-	-	-	-
-	-	-	-	-	-	-
-	-	-	-	-	-	-

Metric	With Cage	Crowned OD	Hex Socket	With Seals	Concentric	CF..S
Inch	Full Roller	Cylindrical OD	Slot Socket	W/O Seals	Eccentric	

Mc.GILL	TORR. NSK	RBC	SMITH	INA SKF	IKO	NTN
CF-1/2-N-S	CRS-8	-	CR-1/2-AX	-	CR 8 VUU	CRV8XLL
CF-1/2-S	CRS-8-1	S-16-L	CR-1/2X	CF-8-1-PP	CR 8-1 VUU	CRV8-1XLL
CF-9/16-S	-	S-18-L	CR-9/16X	-	-	-
CF-5/8-N-S	CRS-10	-	CR-5/8-AX	-	CR 10 VUU	CRV10XLL
CF-5/8-S	CRS-10-1	S-20-L	CR-5/8X	CF-10-1-PP	CR 10-1 VUU	CRV10-1XLL
CF-11/16-S	-	S-22-L	CR-11/16X	-	-	-
CF-3/4-S	CRS-12	S-24-L	CR-3/4X	CF-12-PP	CR 12 VUU	CRV12XLL
CF-7/8-S	CRS-14	S-28-L	CR-7/8X	CF-14-PP	CR 14 VUU	CRV14XLL
CF-1-S	CRS-16	S-32-L	CR-1X	CF-16-PP	CR 16 VUU	CRV16XLL
CF-1 1/8-S	CRS-18	S-36-L	CR-1 1/8X	CF-18-PP	CR 18 VUU	CRV18XLL
CF-1 1/4-S	CRS-20	S-40-L	CR-1 1/4X	CF-20-PP	CR 20 VUU	CRV20XLL
CF-1 3/8-S	CRS-22	S-44-L	CR-1 3/8X	CF-22-PP	CR 22 VUU	CRV22XLL
CF-1 1/2-S	CRS-24	S-48-L	CR-1 1/2X	CF-24-PP	CR 24 VUU	CRV24XLL
CF-1 5/8-S	CRS-26	S-52-L	CR-1 5/8X	CF-26-PP	CR 26 VUU	CRV26XLL
CF-1 3/4-S	CRS-28	S-56-L	CR-1 3/4X	CF-28-PP	CR 28 VUU	CRV28XLL
CF-1 7/8-S	CRS-30	S-60-L	CR-1 7/8X	CF-30-PP	CR 30 VUU	CRV30XLL
CF-2-S	CRS-32	S-64-L	CR-2X	CF-32-PP	CR 32 VUU	CRV32XLL
CF-2 1/4-S	CRS-36	S-72-L	CR-2 1/4X	CF-36-PP	CR 36 VUU	CRV36XLL
CF-2 1/2-S	CRS-40	S-80-L	CR-2 1/2X	CF-40-PP	-	CRV40XLL
CF-2 3/4-S	CRS-44	S-88-L	CR-2 3/4X	CF-44-PP	-	CRV44XLL
CF-3-S	CRS-48	S-96-L	CR-3X	CF-48-PP	-	CRV48XLL
CF-3 1/4-S	CRS-52	S-104-L	CR-3 1/4X	CF-52-PP	-	CRV52XLL
CF-3 1/2-S	CRS-56	S-112-L	CR-3 1/2X	CF-56-PP	-	CRV56XLL
CF-4-S	CRS-64	S-128-L	CR-4X	CF-64-PP	-	CRV64XLL
CF-5-S	CRSB-80	S-160-LW	CR-5XB	-	-	CRV80XLL
CF-6-S	CRSB-96	S-192-LW	CR-6XB	-	-	CRV96XLL
CF-7-S	CRSB-112	-	-	-	-	-
CF-8-S	-	-	-	-	-	-
CF-9-S	-	-	-	-	-	-
CF-10-S	-	-	-	-	-	-

Interchange of Cam Follower - Inch Series

Metric	With Cage	Crowned OD	Hex Socket	With Seals	Concentric	CF...B
Inch	Full Roller	Cylindrical OD	Slot Socket	W/O Seals	Eccentric	

Mc.GILL	TORR. NSK	RBC	SMITH	INA SKF	IKO	NTN
CF-1/2-N-B	CRB-8	-	CR-1/2-A-B	-	CR 8 VB	CRV 8XH/3AS
CF-1/2-B	CRB-8-1	S-16-W	CR-1/2-B	CF-8-1-SK	CR 8-1 VB	CRV 8-1XH/3AS
CF-9/16-B	-	S-18-W	CR-9/16-B	-	-	-
CF-5/8-N-B	CRB-10	-	CR-5/8-A-B	-	CR 10 VB	CRV10XH/3AS
CF-5/8-B	CRB-10-1	S-20-W	CR-5/8-B	CF-10-1-SK	CR 10-1 VB	CRV10-1XH/3AS
CF-11/16-B	-	S-22-W	CR-11/16-B	-	-	-
CF-3/4-B	CRB-12	S-24-W	CR-3/4-B	CF-12-SK	CR 12 VB	CRV12XH/3AS
CF-7/8-B	CRB-14	S-28-W	CR-7/8-B	CF-14-SK	CR 14 VB	CRV14XH/3AS
CF-1-B	CRB-16	S-32-W	CR-1-B	CF-16-SK	CR 16 VB	CRV16XH/3AS
CF-1 1/8-B	CRB-18	S-36-W	CR-1 1/8-B	CF-18-SK	CR 18 VB	CRV18XH/3AS
CF-1 1/4-B	CRB-20	S-40-W	CR-1 1/4-B	CF-20-SK	CR 20 VB	CRV20XH/3AS
CF-1 3/8-B	CRB-22	S-44-W	CR-1 3/8-B	CF-22-SK	CR 22 VB	CRV22XH/3AS
CF-1 1/2-B	CRB-24	S-48-W	CR-1 1/2-B	CF-24-SK	CR 24 VB	CRV24XH/3AS
CF-1 5/8-B	CRB-26	S-52-W	CR-1 5/8-B	CF-26-SK	CR 26 VB	CRV26XH/3AS
CF-1 3/4-B	CRB-28	S-56-W	CR-1 3/4-B	CF-28-SK	CR 28 VB	CRV28XH/3AS
CF-1 7/8-B	CRB-30	S-60-W	CR-1 7/8-B	CF-30-SK	CR 30 VB	CRV30XH/3AS
CF-2-B	CRB-32	S-64-W	CR-2-B	CF-32-SK	CR 32 VB	CRV32XH/3AS
CF-2 1/4-B	CRB-36	S-72-W	CR-2 1/4-B	CF-36-SK	CR 36 VB	CRV36XH/3AS
CF-2 1/2-B	CRB-40	S-80-W	CR-2 1/2-B	CF-40-SK	-	CRV40XH/3AS
CF-2 3/4-B	CRB-44	S-88-W	CR-2 3/4-B	CF-44-SK	-	CRV44XH/3AS
CF-3-B	CRB-48	S-96-W	CR-3-B	CF-48-SK	-	CRV48XH/3AS
CF-3 1/4-B	CRB-52	S-104-W	CR-3 1/4-B	CF-52-SK	-	CRV52XH/3AS
CF-3 1/2-B	CRB-56	S-112-W	CR-3 1/2-B	CF-56-SK	-	CRV56XH/3AS
CF-4-B	CRB-64	S-128-W	CR-4-B	CF-64-SK	-	CRV64XH/3AS
CF-5-B	CRB-80	S-160-LW	CR-5-B	-	-	CRV80XH/3AS
CF-6-B	CRB-96	S-192-LW	CR-6-B	-	-	CRV96XH/3AS
CF-7-B	-	-	-	-	-	-
CF-8-B	-	-	-	-	-	-
CF-9-B	-	-	-	-	-	-
CF-10-B	-	-	-	-	-	-

Metric	With Cage	Crowned OD	Hex Socket	With Seals	Concentric	CF...SB
Inch	Full Roller	Cylindrical OD	Slot Socket	W/O Seals	Eccentric	

Mc.GILL	TORR. NSK	RBC	SMITH	INA SKF	IKO	NTN
CF-1/2-N-SB	CRSB-8	-	CR-1/2-A-XB	-	CR 8 VBUU	CRV 8XHLL/3AS
CF-1/2-SB	CRSB-8-1	S-16-LW	CR-1/2-XB	CF-8-1-PPSK	CR 8-1 VBUU	CRV 8-1XHLL/3AS
CF-9/16-SB	-	S-18-LW	CR-9/16-XB	-	-	-
CF-5/8-N-SB	CRSB-10	-	CR-5/8-A-XB	-	CR 10 VBUU	CRV10XHLL/3AS
CF-5/8-SB	CRSB-10-1	S-20-LW	CR-5/8-XB	CF-10-1-PPSK	CR 10-1 VBUU	CRV10-1XHLL/3AS
CF-11/16-SB	-	S-22-LW	CR-11/16-XB	-	-	-
CF-3/4-SB	CRSB-12	S-24-LW	CR-3/4-XB	CF-12-PPSK	CR 12 VBUU	CRV12XHLL/3AS
CF-7/8-SB	CRSB-14	S-28-LW	CR-7/8-XB	CF-14-PPSK	CR 14 VBUU	CRV14XHLL/3AS
CF-1-SB	CRSB-16	S-32-LW	CR-1-XB	CF-16-PPSK	CR 16 VBUU	CRV16XHLL/3AS
CF-1 1/8-SB	CRSB-18	S-36-LW	CR-1 1/8-XB	CF-18-PPSK	CR 18 VBUU	CRV18XHLL/3AS
CF-1 1/4-SB	CRSB-20	S-40-LW	CR-1 1/4-XB	CF-20-PPSK	CR 20 VBUU	CRV20XHLL/3AS
CF-1 3/8-SB	CRSB-22	S-44-LW	CR-1 3/8-XB	CF-22-PPSK	CR 22 VBUU	CRV22XHLL/3AS
CF-1 1/2-SB	CRSB-24	S-48-LW	CR-1 1/2-XB	CF-24-PPSK	CR 24 VBUU	CRV24XHLL/3AS
CF-1 5/8-SB	CRSB-26	S-52-LW	CR-1 5/8-XB	CF-26-PPSK	CR 26 VBUU	CRV26XHLL/3AS
CF-1 3/4-SB	CRSB-28	S-56-LW	CR-1 3/4-XB	CF-28-PPSK	CR 28 VBUU	CRV28XHLL/3AS
CF-1 7/8-SB	CRSB-30	S-60-LW	CR-1 7/8-XB	CF-30-PPSK	CR 30 VBUU	CRV30XHLL/3AS
CF-2-SB	CRSB-32	S-64-LW	CR-2-XB	CF-32-PPSK	CR 32 VBUU	CRV32XHLL/3AS
CF-2 1/4-SB	CRSB-36	S-72-LW	CR-2 1/4-XB	CF-36-PPSK	CR 36 VBUU	CRV36XHLL/3AS
CF-2 1/2-SB	CRSB-40	S-80-LW	CR-2 1/2-XB	CF-40-PPSK	-	CRV40XHLL/3AS
CF-2 3/4-SB	CRSB-44	S-88-LW	CR-2 3/4-XB	CF-44-PPSK	-	CRV44XHLL/3AS
CF-3-SB	CRSB-48	S-96-LW	CR-3-XB	CF-48-PPSK	-	CRV48XHLL/3AS
CF-3 1/4-SB	CRSB-52	S-104-LW	CR-3 1/4-XB	CF-52-PPSK	-	CRV52XHLL/3AS
CF-3 1/2-SB	CRSB-56	S-112-LW	CR-3 1/2-XB	CF-56-PPSK	-	CRV56XHLL/3AS
CF-4-SB	CRSB-64	S-128-LW	CR-4-XB	CF-64-PPSK	-	CRV64XHLL/3AS
CF-5-SB	CRSB-80	S-160-LW	CR-5-XB	-	-	CRV80XHLL/3AS
CF-6-SB	CRSB-96	S-192-LW	CR-6-XB	-	-	CRV96XHLL/3AS
CF-7-SB	-	-	-	-	-	-
CF-8-SB	-	-	-	-	-	-
CF-9-SB	-	-	-	-	-	-
CF-10-SB	-	-	-	-	-	-

Interchange of Cam Follower - Inch Series

Metric	With Cage	Crowned OD	Hex Socket	With Seals	Concentric	CCF
Inch	Full Roller	Cylindrical OD	Slot Socket	W/O Seals	Eccentric	

Mc.GILL	TORR. NSK	RBC	SMITH	INA SKF	IKO	NTN
CCF-1/2-N	CRC- 8	-	CR-1/2-AC	-	CR 8 VR	CRV 8/3AS
CCF-1/2	CRC- 8-1	CS-16	CR-1/2-C	CF- 8-1-Y	CR 8-1 VR	CRV 8-1/3AS
CCF-9/16	-	CS-18	CR-9/16-C	-	-	-
CCF-5/8-N	CRC-10	-	CR-5/8-AC	-	CR 10 VR	CRV10/3AS
CCF-5/8	CRC-10-1	CS-20	CR-5/8-C	CF-10-1-Y	CR 10-1 VR	CRV10-1/3AS
CCF-11/16	-	CS-22	CR-11/16-C	-	-	-
CCF-3/4	CRC-12	CS-24	CR-3/4-C	CF-12-Y	CR 12 VR	CRV12/3AS
CCF-7/8	CRC-14	CS-28	CR-7/8-C	CF-14-Y	CR 14 VR	CRV14/3AS
CCF-1	CRC-16	CS-32	CR-1-C	CF-16-Y	CR 16 VR	CRV16/3AS
CCF-1 1/8	CRC-18	CS-36	CR-1 1/8-C	CF-18-Y	CR 18 VR	CRV18/3AS
CCF-1 1/4	CRC-20	CS-40	CR-1 1/4-C	CF-20-Y	CR 20 VR	CRV20/3AS
CCF-1 3/8	CRC-22	CS-44	CR-1 3/8-C	CF-22-Y	CR 22 VR	CRV22/3AS
CCF-1 1/2	CRC-24	CS-48	CR-1 1/2-C	CF-24-Y	CR 24 VR	CRV24/3AS
CCF-1 5/8	CRC-26	CS-52	CR-1 5/8-C	CF-26-Y	CR 26 VR	CRV26/3AS
CCF-1 3/4	CRC-28	CS-56	CR-1 3/4-C	CF-28-Y	CR 28 VR	CRV28/3AS
CCF-1 7/8	CRC-30	CS-60	CR-1 7/8-C	CF-30-Y	CR 30 VR	CRV30/3AS
CCF-2	CRC-32	CS-64	CR-2-C	CF-32-Y	CR 32 VR	CRV32/3AS
CCF-2 1/4	CRC-36	CS-72	CR-2 1/4-C	CF-36-Y	CR 36 VR	CRV36/3AS
CCF-2 1/2	CRC-40	CS-80	CR-2 1/2-C	CF-40-Y	-	CRV40/3AS
CCF-2 3/4	CRC-44	CS-88	CR-2 3/4-C	CF-44-Y	-	CRV44/3AS
CCF-3	CRC-48	CS-96	CR-3-C	CF-48-Y	-	CRV48/3AS
CCF-3 1/4	CRC-52	CS-104	CR-3 1/4-C	CF-52-Y	-	CRV52/3AS
CCF-3 1/2	CRC-56	CS-112	CR-3 1/2-C	CF-56-Y	-	CRV56/3AS
CCF-4	CRC-64	CS-128	CR-4-C	CF-64-Y	-	CRV64/3AS
-	CRC-80	-	-	-	-	CRV80/3AS
-	CRC-96	-	-	-	-	CRV96/3AS
-	-	-	-	-	-	-
-	-	-	-	-	-	-
-	-	-	-	-	-	-
-	-	-	-	-	-	-

Metric	With Cage	Crowned OD	Hex Socket	With Seals	Concentric	CCF.S
Inch	Full Roller	Cylindrical OD	Slot Socket	W/O Seals	Eccentric	

Mc.GILL	TORR. NSK	RBC	SMITH	INA SKF	IKO	NTN
CCF-1/2-N-S	CRSC-8	-	CR-1/2-AXC	-	CR 8 VUUR	CRV8LL
CCF-1/2-S	CRSC-8-1	CS-16-L	CR-1/2-XC	CF-8-1-PPY	CR 8-1 VUUR	CRV8-1LL
CCF-9/16-S	-	CS-18-L	CR-9/16-XC	-	-	-
CCF-5/8-N-S	CRSC-10	-	CR-5/8-AXC	-	CR 10 VUUR	CRV10LL
CCF-5/8-S	CRSC-10-1	CS-20-L	CR-5/8-XC	CF-10-1-PPY	CR 10-1 VUUR	CRV10-1LL
CCF-11/16-S	-	CS-22-L	CR-11/16-XC	-	-	-
CCF-3/4-S	CRSC-12	CS-24-L	CR-3/4-XC	CF-12-PPY	CR 12 VUUR	CRV12LL
CCF-7/8-S	CRSC-14	CS-28-L	CR-7/8-XC	CF-14-PPY	CR 14 VUUR	CRV14LL
CCF-1-S	CRSC-16	CS-32-L	CR-1-XC	CF-16-PPY	CR 16 VUUR	CRV16LL
CCF-1 1/8-S	CRSC-18	CS-36-L	CR-1 1/8-XC	CF-18-PPY	CR 18 VUUR	CRV18LL
CCF-1 1/4-S	CRSC-20	CS-40-L	CR-1 1/4-XC	CF-20-PPY	CR 20 VUUR	CRV20LL
CCF-1 3/8-S	CRSC-22	CS-44-L	CR-1 3/8-XC	CF-22-PPY	CR 22 VUUR	CRV22LL
CCF-1 1/2-S	CRSC-24	CS-48-L	CR-1 1/2-XC	CF-24-PPY	CR 24 VUUR	CRV24LL
CCF-1 5/8-S	CRSC-26	CS-52-L	CR-1 5/8-XC	CF-26-PPY	CR 26 VUUR	CRV26LL
CCF-1 3/4-S	CRSC-28	CS-56-L	CR-1 3/4-XC	CF-28-PPY	CR 28 VUUR	CRV28LL
CCF-1 7/8-S	CRSC-30	CS-60-L	CR-1 7/8-XC	CF-30-PPY	CR 30 VUUR	CRV30LL
CCF-2-S	CRSC-32	CS-64-L	CR-2-XC	CF-32-PPY	CR 32 VUUR	CRV32LL
CCF-2 1/4-S	CRSC-36	CS-72-L	CR-2 1/4-XC	CF-36-PPY	CR 36 VUUR	CRV36LL
CCF-2 1/2-S	CRSC-40	CS-80-L	CR-2 1/2-XC	CF-40-PPY	-	CRV40LL
CCF-2 3/4-S	CRSC-44	CS-88-L	CR-2 3/4-XC	CF-44-PPY	-	CRV44LL
CCF-3-S	CRSC-48	CS-96-L	CR-3-XC	CF-48-PPY	-	CRV48LL
CCF-3 1/4-S	CRSC-52	CS-104-L	CR-3 1/4-XC	CF-52-PPY	-	CRV52LL
CCF-3 1/2-S	CRSC-56	CS-112-L	CR-3 1/2-XC	CF-56-PPY	-	CRV56LL
CCF-4-S	CRSC-64	CS-128-L	CR-4-XC	CF-64-PPY	-	CRV64LL
CCF-5-S	CRSBC-80	CS-160-LW	CR-5-XBC	-	-	CRV80LL
CCF-6-S	CRSBC-96	CS-192-LW	CR-6-XBC	-	-	CRV96LL
CCF-7-S	CRSBC-112	-	-	-	-	-
CCF-8-S	-	-	-	-	-	-
CCF-9-S	-	-	-	-	-	-
CCF-10-S	-	-	-	-	-	-

Interchange of Cam Follower - Inch Series

Metric	With Cage	Crowned OD	Hex Socket	With Seals	Concentric	CCF...-B
Inch	Full Roller	Cylindrical OD	Slot Socket	W/O Seals	Eccentric	

Mc.GILL	TORR. NSK	RBC	SMITH	INA SKF	IKO	NTN
CCF-1/2-N-B	CRBC-8	-	CR-1/2-A-BC	-	CR 8 VBR	CRV 8H/3AS
CCF-1/2-B	CRBC-8-1	CS-16-W	CR-1/2-BC	CF-8-1-YSK	CR 8-1 VBR	CRV 8-1H/3AS
CCF-9/16-B	-	CS-18-W	CR-9/16-BC	-	-	-
CCF-5/8-N-B	CRBC-10	-	CR-5/8-A-BC	-	CR 10 VBR	CRV10H/3AS
CCF-5/8-B	CRBC-10-1	CS-20-W	CR-5/8-BC	CF-10-1-YSK	CR 10-1 VBR	CRV10-1H/3AS
CCF-11/16-B	-	CS-22-W	CR-11/16-BC	-	-	-
CCF-3/4-B	CRBC-12	CS-24-W	CR-3/4-BC	CF-12-YSK	CR 12 VBR	CRV12H/3AS
CCF-7/8-B	CRBC-14	CS-28-W	CR-7/8-BC	CF-14-YSK	CR 14 VBR	CRV14H/3AS
CCF-1-B	CRBC-16	CS-32-W	CR-1-BC	CF-16-YSK	CR 16 VBR	CRV16H/3AS
CCF-1 1/8-B	CRBC-18	CS-36-W	CR-1 1/8-BC	CF-18-YSK	CR 18 VBR	CRV18H/3AS
CCF-1 1/4-B	CRBC-20	CS-40-W	CR-1 1/4-BC	CF-20-YSK	CR 20 VBR	CRV20H/3AS
CCF-1 3/8-B	CRBC-22	CS-44-W	CR-1 3/8-BC	CF-22-YSK	CR 22 VBR	CRV22H/3AS
CCF-1 1/2-B	CRBC-24	CS-48-W	CR-1 1/2-BC	CF-24-YSK	CR 24 VBR	CRV24H/3AS
CCF-1 5/8-B	CRBC-26	CS-52-W	CR-1 5/8-BC	CF-26-YSK	CR 26 VBR	CRV26H/3AS
CCF-1 3/4-B	CRBC-28	CS-56-W	CR-1 3/4-BC	CF-28-YSK	CR 28 VBR	CRV28H/3AS
CCF-1 7/8-B	CRBC-30	CS-60-W	CR-1 7/8-BC	CF-30-YSK	CR 30 VBR	CRV30H/3AS
CCF-2-B	CRBC-32	CS-64-W	CR-2-BC	CF-32-YSK	CR 32 VBR	CRV32H/3AS
CCF-2 1/4-B	CRBC-36	CS-72-W	CR-2 1/4-BC	CF-36-YSK	CR 36 VBR	CRV36H/3AS
CCF-2 1/2-B	CRBC-40	CS-80-W	CR-2 1/2-BC	CF-40-YSK	-	CRV40H/3AS
CCF-2 3/4-B	CRBC-44	CS-88-W	CR-2 3/4-BC	CF-44-YSK	-	CRV44H/3AS
CCF-3-B	CRBC-48	CS-96-W	CR-3-BC	CF-48-YSK	-	CRV48H/3AS
CCF-3 1/4-B	CRBC-52	CS-104-W	CR-3 1/4-BC	CF-52-YSK	-	CRV52H/3AS
CCF-3 1/2-B	CRBC-56	CS-112-W	CR-3 1/2-BC	CF-56-YSK	-	CRV56H/3AS
CCF-4-B	CRBC-64	CS-128-W	CR-4-BC	CF-64-YSK	-	CRV64H/3AS
CCF-5-B	CRBC-80	CS-160-LW	CR-5-BC	-	-	CRV80H/3AS
CCF-6-B	CRBC-96	CS-192-LW	CR-6-BC	-	-	CRV96H/3AS
CCF-7-B	-	-	-	-	-	-
CCF-8-B	-	-	-	-	-	-
CCF-9-B	-	-	-	-	-	-
CCF-10-B	-	-	-	-	-	-

Metric	With Cage	Crowned OD	Hex Socket	With Seals	Concentric	CCF...-SB
Inch	Full Roller	Cylindrical OD	Slot Socket	W/O Seals	Eccentric	

Mc.GILL	TORR. NSK	RBC	SMITH	INA SKF	IKO	NTN
CCF-1/2-N-SB	CRSBC-8	-	CR-1/2-A-XBC	-	CR 8 VBUUR	CRV 8HLL/3AS
CCF-1/2-SB	CRSBC-8-1	CS-16-LW	CR-1/2-XBC	CF-8-1-PPYSK	CR 8-1 VBUUR	CRV 8-1HLL/3AS
CCF-9/16-SB	-	CS-18-LW	CR-9/16-XBC	-	-	-
CCF-5/8-N-SB	CRSBC-10	-	CR-5/8-A-XBC	-	CR 10 VBUUR	CRV10HLL/3AS
CCF-5/8-SB	CRSBC-10-1	CS-20-LW	CR-5/8-XBC	CF-10-1-PPYSK	CR 10-1 VBUUR	CRV10-1HLL/3AS
CCF-11/16-SB	-	CS-22-LW	CR-11/16-XBC	-	-	-
CCF-3/4-SB	CRSBC-12	CS-24-LW	CR-3/4-XBC	CF-12-PPYSK	CR 12 VBUUR	CRV12HLL/3AS
CCF-7/8-SB	CRSBC-14	CS-28-LW	CR-7/8-XBC	CF-14-PPYSK	CR 14 VBUUR	CRV14HLL/3AS
CCF-1-SB	CRSBC-16	CS-32-LW	CR-1-XBC	CF-16-PPYSK	CR 16 VBUUR	CRV16HLL/3AS
CCF-1 1/8-SB	CRSBC-18	CS-36-LW	CR-1 1/8-XBC	CF-18-PPYSK	CR 18 VBUUR	CRV18HLL/3AS
CCF-1 1/4-SB	CRSBC-20	CS-40-LW	CR-1 1/4-XBC	CF-20-PPYSK	CR 20 VBUUR	CRV20HLL/3AS
CCF-1 3/8-SB	CRSBC-22	CS-44-LW	CR-1 3/8-XBC	CF-22-PPYSK	CR 22 VBUUR	CRV22HLL/3AS
CCF-1 1/2-SB	CRSBC-24	CS-48-LW	CR-1 1/2-XBC	CF-24-PPYSK	CR 24 VBUUR	CRV24HLL/3AS
CCF-1 5/8-SB	CRSBC-26	CS-52-LW	CR-1 5/8-XBC	CF-26-PPYSK	CR 26 VBUUR	CRV26HLL/3AS
CCF-1 3/4-SB	CRSBC-28	CS-56-LW	CR-1 3/4-XBC	CF-28-PPYSK	CR 28 VBUUR	CRV28HLL/3AS
CCF-1 7/8-SB	CRSBC-30	CS-60-LW	CR-1 7/8-XBC	CF-30-PPYSK	CR 30 VBUUR	CRV30HLL/3AS
CCF-2-SB	CRSBC-32	CS-64-LW	CR-2-XBC	CF-32-PPYSK	CR 32 VBUUR	CRV32HLL/3AS
CCF-2 1/4-SB	CRSBC-36	CS-72-LW	CR-2 1/4-XBC	CF-36-PPYSK	CR 36 VBUUR	CRV36HLL/3AS
CCF-2 1/2-SB	CRSBC-40	CS-80-LW	CR-2 1/2-XBC	CF-40-PPYSK	-	CRV40HLL/3AS
CCF-2 3/4-SB	CRSBC-44	CS-88-LW	CR-2 3/4-XBC	CF-44-PPYSK	-	CRV44HLL/3AS
CCF-3-SB	CRSBC-48	CS-96-LW	CR-3-XBC	CF-48-PPYSK	-	CRV48HLL/3AS
CCF-3 1/4-SB	CRSBC-52	CS-104-LW	CR-3 1/4-XBC	CF-52-PPYSK	-	CRV52HLL/3AS
CCF-3 1/2-SB	CRSBC-56	CS-112-LW	CR-3 1/2-XBC	CF-56-PPYSK	-	CRV56HLL/3AS
CCF-4-SB	CRSBC-64	CS-128-LW	CR-4-XBC	CF-64-PPYSK	-	CRV64HLL/3AS
CCF-5-SB	CRSBC-80	CS-160-LW	CR-5-XBC	-	-	CRV80HLL/3AS
CCF-6-SB	CRSBC-96	CS-192-LW	CR-6-XBC	-	-	CRV96HLL/3AS
CCF-7-SB	-	-	-	-	-	-
CCF-8-SB	-	-	-	-	-	-
CCF-9-SB	-	-	-	-	-	-
CCF-10-SB	-	-	-	-	-	-

Interchange of Cam Follower - Inch Series

Metric	With Cage	Crowned OD	Hex Socket	With Seals	Concentric	CFH
Inch	Full Roller	Cylindrical OD	Slot Socket	W/O Seals	Eccentric	

Mc.GILL	TORR. NSK	RBC	SMITH	INA SKF	IKO	NTN
CFH-1/2	CRH-8-1	H-16	HR-1/2	-	CRH 8-1 V	-
CFH-9/16	-	H-18	-	-	CRH 9 V	-
CFH-5/8	CRH-10-1	H-20	HR-5/8	-	CRH 10-1 V	-
CFH-11/16	-	H-22	-	-	CRH 11 V	-
CFH-3/4	CRH-12	H-24	HR-3/4	-	CRH 12 V	-
CFH-7/8	CRH-14	H-28	HR-7/8	-	CRH 14 V	-
CFH-1	CRH-16	H-32	HR-1	-	CRH 16 V	-
CFH-1 1/8	CRH-18	H-36	HR-1 1/8	-	CRH 18 V	-
CFH-1 1/4	CRH-20	H-40	HR-1 1/4	-	CRH 20 V	-
CFH-1 3/8	CRH-22	H-44	HR-1 3/8	-	CRH 22 V	-
CFH-1 1/2	CRH-24	H-48	HR-1 1/2	-	CRH 24 V	-
CFH-1 5/8	CRH-26	H-52	HR-1 5/8	-	CRH 26 V	-
CFH-1 3/4	CRH-28	H-56	HR-1 3/4	-	CRH 28 V	-
CFH-1 7/8	CRH-30	H-60	HR-1 7/8	-	CRH 30 V	-
CFH-2	CRH-32	H-64	HR-2	-	CRH 32 V	-
CFH-2 1/4	CRH-36	H-72	HR-2 1/4	-	CRH 36 V	-
CFH-2 1/2	CRH-40	H-80	HR-2 1/2	-	CRH 40 V	-
CFH-2 3/4	CRH-44	H-88	HR-2 3/4	-	CRH 44 V	-
CFH-3	CRH-48	H-96	HR-3	-	CRH 48 V	-
CFH-3 1/4	CRH-52	H-104	HR-3 1/4	-	CRH 52 V	-
CFH-3 1/2	CRH-56	H-112	HR-3 1/2	-	CRH 56 V	-
CFH-4	CRH-64	H-128	HR-4	-	CRH 64 V	-

Metric	With Cage	Crowned OD	Hex Socket	With Seals	Concentric	CFH..S
Inch	Full Roller	Cylindrical OD	Slot Socket	W/O Seals	Eccentric	

Mc.GILL	TORR. NSK	RBC	SMITH	INA SKF	IKO	NTN
CFH-1/2-S	CRHS-8-1	H-16-L	HR-1/2X	-	CRH 8-1 VUU	-
CFH-9/16-S		H-18-L		-	CRH 9 VUU	-
CFH-5/8-S	CRHS-10-1	H-20-L	HR-5/8X	-	CRH 10-1 VUU	-
		H-22-L		-	CRH 11 VUU	-
CFH-3/4-S	CRHS-12	H-24-L	HR-3/4X	-	CRH 12 VUU	-
CFH-7/8-S	CRHS-14	H-28-L	HR-7/8X	-	CRH 14 VUU	-
CFH-1-S	CRHS-16	H-32-L	HR-1X	-	CRH 16 VUU	-
CFH-1 1/8-S	CRHS-18	H-36-L	HR-1 1/8X	-	CRH 18 VUU	-
CFH-1 1/4-S	CRHS-20	H-40-L	HR-1 1/4X	-	CRH 20 VUU	-
CFH-1 3/8-S	CRHS-22	H-44-L	HR-1 3/8X	-	CRH 22 VUU	-
CFH-1 1/2-S	CRHS-24	H-48-L	HR-1 1/2X	-	CRH 24 VUU	-
CFH-1 5/8-S	CRHS-26	H-52-L	HR-1 5/8X	-	CRH 26 VUU	-
CFH-1 3/4-S	CRHS-28	H-56-L	HR-1 3/4X	-	CRH 28 VUU	-
CFH-1 7/8-S	CRHS-30	H-60-L	HR-1 7/8X	-	CRH 30 VUU	-
CFH-2-S	CRHS-32	H-64-L	HR-2X	-	CRH 32 VUU	-
CFH-2 1/4-S	CRHS-36	H-72-L	HR-2 1/4X	-	CRH 36 VUU	-
CFH-2 1/2-S	CRHS-40	H-80-L	HR-2 1/2X	-	CRH 40 VUU	-
CFH-2 3/4-S	CRHS-44	H-88-L	HR-2 3/4X	-	CRH 44 VUU	-
CFH-3-S	CRHS-48	H-96-L	HR-3X	-	CRH 48 VUU	-
CFH-3 1/4-S	CRHS-52	H-104-L	HR-3 1/4X	-	CRH 52 VUU	-
CFH-3 1/2-S	CRHS-56	H-112-L	HR-3 1/2X	-	CRH 56 VUU	-
CFH-4-S	CRHS-64	H-128-L	HR-4X	-	CRH 64 VUU	-
CFH-5-S	CRHSB-80	H-160-LW	-	-	-	-
CFH-6-S	CRHSB-96	H-192-LW	-	-	-	-
CFH-7-S	CRHSB-112	-	-	-	-	-

Interchange of Cam Follower - Inch Series

Metric	With Cage	Crowned OD	Hex Socket	With Seals	Concentric	CCFH
Inch	Full Roller	Cylindrical OD	Slot Socket	W/O Seals	Eccentric	

Mc.GILL	TORR. NSK	RBC	SMITH	INA SKF	IKO	NTN
CCFH-1/2	CRHC-8-1	CH-16	HR-1/2-C	-	CRH 8-1 VR	-
CCFH-9/16	-	CH-18	-	-	CRH 9 VR	-
CCFH-5/8	CRHC-10-1	CH-20	HR-5/8-C	-	CRH 10-1 VR	-
CCFH-11/16	-	CH-22	-	-	CRH 11 VR	-
CCFH-3/4	CRHC-12	CH-24	HR-3/4-C	-	CRH 12 VR	-
CCFH-7/8	CRHC-14	CH-28	HR-7/8-C	-	CRH 14 VR	-
CCFH-1	CRHC-16	CH-32	HR-1-C	-	CRH 16 VR	-
CCFH-1 1/8	CRHC-18	CH-36	HR-1 1/8-C	-	CRH 18 VR	-
CCFH-1 1/4	CRHC-20	CH-40	HR-1 1/4-C	-	CRH 20 VR	-
CCFH-1 3/8	CRHC-22	CH-44	HR-1 3/8-C	-	CRH 22 VR	-
CCFH-1 1/2	CRHC-24	CH-48	HR-1 1/2-C	-	CRH 24 VR	-
CCFH-1 5/8	CRHC-26	CH-52	HR-1 5/8-C	-	CRH 26 VR	-
CCFH-1 3/4	CRHC-28	CH-56	HR-1 3/4-C	-	CRH 28 VR	-
CCFH-1 7/8	CRHC-30	CH-60	HR-1 7/8-C	-	CRH 30 VR	-
CCFH-2	CRHC-32	CH-64	HR-2-C	-	CRH 32 VR	-
CCFH-2 1/4	CRHC-36	CH-72	HR-2 1/4-C	-	CRH 36 VR	-
CCFH-2 1/2	CRHC-40	CH-80	HR-2 1/2-C	-	CRH 40 VR	-
CCFH-2 3/4	CRHC-44	CH-88	HR-2 3/4-C	-	CRH 44 VR	-
CCFH-3	CRHC-48	CH-96	HR-3-C	-	CRH 48 VR	-
CCFH-3 1/4	CRHC-52	CH-104	HR-3 1/4-C	-	CRH 52 VR	-
CCFH-3 1/2	CRHC-56	CH-112	HR-3 1/2-C	-	CRH 56 VR	-
CCFH-4	CRHC-64	CH-128	HR-4-C	-	CRH 64 VR	-

Metric	With Cage	Crowned OD	Hex Socket	With Seals	Concentric	CCFH..S
Inch	Full Roller	Cylindrical OD	Slot Socket	W/O Seals	Eccentric	

Mc.GILL	TORR. NSK	RBC	SMITH	INA SKF	IKO	NTN
CCFH-1/2-S	CRHSC-8-1	CH-16-L	HR-1/2-XC	-	CRH 8-1 VUU	-
CCFH-9/16-S	-	CH-18-L	-	-	CRH 9 VUU	-
CCFH-5/8-S	CRHSC-10-1	CH-20-L	HR-5/8-XC	-	CRH 10-1 VUU	-
		CH-22-L	-	-	CRH 11 VUU	-
CCFH-3/4-S	CRHSC-12	CH-24-L	HR-3/4-XC	-	CRH 12 VUU	-
CCFH-7/8-S	CRHSC-14	CH-28-L	HR-7/8-XC	-	CRH 14 VUU	-
CCFH-1-S	CRHSC-16	CH-32-L	HR-1-XC	-	CRH 16 VUU	-
CCFH-1 1/8-S	CRHSC-18	CH-36-L	HR-1 1/8-XC	-	CRH 18 VUU	-
CCFH-1 1/4-S	CRHSC-20	CH-40-L	HR-1 1/4-XC	-	CRH 20 VUU	-
CCFH-1 3/8-S	CRHSC-22	CH-44-L	HR-1 3/8-XC	-	CRH 22 VUU	-
CCFH-1 1/2-S	CRHSC-24	CH-48-L	HR-1 1/2-XC	-	CRH 24 VUU	-
CCFH-1 5/8-S	CRHSC-26	CH-52-L	HR-1 5/8-XC	-	CRH 26 VUU	-
CCFH-1 3/4-S	CRHSC-28	CH-56-L	HR-1 3/4-XC	-	CRH 28 VUU	-
CCFH-1 7/8-S	CRHSC-30	CH-60-L	HR-1 7/8-XC	-	CRH 30 VUU	-
CCFH-2-S	CRHSC-32	CH-64-L	HR-2-XC	-	CRH 32 VUU	-
CCFH-2 1/4-S	CRHSC-36	CH-72-L	HR-2 1/4-XC	-	CRH 36 VUU	-
CCFH-2 1/2-S	CRHSC-40	CH-80-L	HR-2 1/2-XC	-	CRH 40 VUU	-
CCFH-2 3/4-S	CRHSC-44	CH-88-L	HR-2 3/4-XC	-	CRH 44 VUU	-
CCFH-3-S	CRHSC-48	CH-96-L	HR-3-XC	-	CRH 48 VUU	-
CCFH-3 1/4-S	CRHSC-52	CH-104-L	HR-3 1/4-XC	-	CRH 52 VUU	-
CCFH-3 1/2-S	CRHSC-56	CH-112-L	HR-3 1/2-XC	-	CRH 56 VUU	-
CCFH-4-S	CRHSC-64	CH-128-L	HR-4-XC	-	CRH 64 VUU	-
CCFH-5-S	CRHSBC-80	CH-160-LW	-	-	-	-
CCFH-6-S	CRHSBC-96	CH-192-LW	-	-	-	-
CCFH-7-S	CRHSBC-112	-	-	-	-	-

Interchange of Cam Follower - Inch Series

Metric	With Cage	Crowned OD	Hex Socket	With Seals	Concentric	CCFH..B
Inch	Full Roller	Cylindrical OD	Slot Socket	W/O Seals	Eccentric	

Mc.GILL	TORR. NSK	RBC	SMITH	INA SKF	IKO	NTN
CCFH-1/2-B	CRHBC-8-1	CH-16-W	HR-1/2BC	-	CRH 8-1 VBR	-
CCFH-9/16-B		CH-18-W		-	CRH 9 VBR	-
CCFH-5/8-B	CRHBC-10-1	CH-20-W	HR-5/8BC	-	CRH 10-1 VBR	-
		CH-22-W		-	CRH 11 VBR	-
CCFH-3/4-B	CRHBC-12	CH-24-W	HR-3/4BC	-	CRH 12 VBR	-
CCFH-7/8-B	CRHBC-14	CH-28-W	HR-7/8BC	-	CRH 14 VBR	-
CCFH-1-B	CRHBC-16	CH-32-W	HR-1BC	-	CRH 16 VBR	-
CCFH-1 1/8-B	CRHBC-18	CH-36-W	HR-1 1/8BC	-	CRH 18 VBR	-
CCFH-1 1/4-B	CRHBC-20	CH-40-W	HR-1 1/4BC	-	CRH 20 VBR	-
CCFH-1 3/8-B	CRHBC-22	CH-44-W	HR-1 3/8BC	-	CRH 22 VBR	-
CCFH-1 1/2-B	CRHBC-24	CH-48-W	HR-1 1/2BC	-	CRH 24 VBR	-
CCFH-1 5/8-B	CRHBC-26	CH-52-W	HR-1 5/8BC	-	CRH 26 VBR	-
CCFH-1 3/4-B	CRHBC-28	CH-56-W	HR-1 3/4BC	-	CRH 28 VBR	-
CCFH-1 7/8-B	CRHBC-30	CH-60-W	HR-1 7/8BC	-	CRH 30 VBR	-
CCFH-2-B	CRHBC-32	CH-64-W	HR-2BC	-	CRH 32 VBR	-
CCFH-2 1/4-B	CRHBC-36	CH-72-W	HR-2 1/4BC	-	CRH 36 VBR	-
CCFH-2 1/2-B	CRHBC-40	CH-80-W	HR-2 1/2BC	-	CRH 40 VBR	-
CCFH-2 3/4-B	CRHBC-44	CH-88-W	HR-2 3/4BC	-	CRH 44 VBR	-
CCFH-3-B	CRHBC-48	CH-96-W	HR-3BC	-	CRH 48 VBR	-
CCFH-3 1/4-B	CRHBC-52	CH-104-W	HR-3 1/4BC	-	CRH 52 VBR	-
CCFH-3 1/2-B	CRHBC-56	CH-112-W	HR-3 1/2BC	-	CRH 56 VBR	-
CCFH-4-B	CRHBC-64	CH-128-W	HR-4BC	-	CRH 64 VBR	-
CCFH-5-B	CRHBC-80	CH-160-LW	-	-	-	-
CCFH-6-B	CRHBC-96	CH-192-LW	-	-	-	-
CCFH-7-B	CRHBC-112	-	-	-	-	-

Metric	With Cage	Crowned OD	Hex Socket	With Seals	Concentric	CCFH..SB
Inch	Full Roller	Cylindrical OD	Slot Socket	W/O Seals	Eccentric	

Mc.GILL	TORR. NSK	RBC	SMITH	INA SKF	IKO	NTN
CCFH-1/2-SB	CRHSBC-8-1	CH-16-LW	HR-1/2XBC	-	CRH 8-1 VBUUR	-
CCFH-9/16-SB		CH-18-LW		-	CRH 9 VBUUR	-
CCFH-5/8-SB	CRHSBC-10-1	CH-20-LW	HR-5/8XBC	-	CRH 10-1 VBUUR	-
		CH-22-LW		-	CRH 11 VBUUR	-
CCFH-3/4-SB	CRHSBC-12	CH-24-LW	HR-3/4XBC	-	CRH 12 VBUUR	-
CCFH-7/8-SB	CRHSBC-14	CH-28-LW	HR-7/8XBC	-	CRH 14 VBUUR	-
CCFH-1-SB	CRHSBC-16	CH-32-LW	HR-1XBC	-	CRH 16 VBUUR	-
CCFH-1 1/8-SB	CRHSBC-18	CH-36-LW	HR-1 1/8XBC	-	CRH 18 VBUUR	-
CCFH-1 1/4-SB	CRHSBC-20	CH-40-LW	HR-1 1/4XBC	-	CRH 20 VBUUR	-
CCFH-1 3/8-SB	CRHSBC-22	CH-44-LW	HR-1 3/8XBC	-	CRH 22 VBUUR	-
CCFH-1 1/2-SB	CRHSBC-24	CH-48-LW	HR-1 1/2XBC	-	CRH 24 VBUUR	-
CCFH-1 5/8-SB	CRHSBC-26	CH-52-LW	HR-1 5/8XBC	-	CRH 26 VBUUR	-
CCFH-1 3/4-SB	CRHSBC-28	CH-56-LW	HR-1 3/4XBC	-	CRH 28 VBUUR	-
CCFH-1 7/8-SB	CRHSBC-30	CH-60-LW	HR-1 7/8XBC	-	CRH 30 VBUUR	-
CCFH-2-SB	CRHSBC-32	CH-64-LW	HR-2XBC	-	CRH 32 VBUUR	-
CCFH-2 1/4-SB	CRHSBC-36	CH-72-LW	HR-2 1/4XBC	-	CRH 36 VBUUR	-
CCFH-2 1/2-SB	CRHSBC-40	CH-80-LW	HR-2 1/2XBC	-	CRH 40 VBUUR	-
CCFH-2 3/4-SB	CRHSBC-44	CH-88-LW	HR-2 3/4XBC	-	CRH 44 VBUUR	-
CCFH-3-SB	CRHSBC-48	CH-96-LW	HR-3XBC	-	CRH 48 VBUUR	-
CCFH-3 1/4-SB	CRHSBC-52	CH-104-LW	HR-3 1/4XBC	-	CRH 52 VBUUR	-
CCFH-3 1/2-SB	CRHSBC-56	CH-112-LW	HR-3 1/2XBC	-	CRH 56 VBUUR	-
CCFH-4-SB	CRHSBC-64	CH-128-LW	HR-4XBC	-	CRH 64 VBUUR	-
CCFH-5-SB	CRHSBC-80	CH-160-LW	-	-	-	-
CCFH-6-SB	CRHSBC-96	CH-192-LW	-	-	-	-
CCFH-7-SB	CRHSBC-112	-	-	-	-	-

Interchange of Cam Follower - Inch Series

Metric	With Cage	Crowned OD	Hex Socket	With Seals	Concentric	CFE...S
Inch	Full Roller	Cylindrical OD	Slot Socket	W/O Seals	Eccentric	

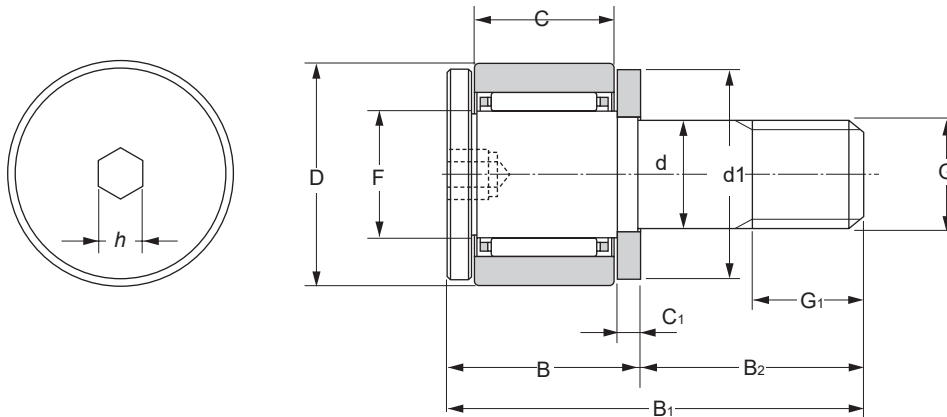
Mc.GILL	TORR. NSK	RBC	SMITH	INA SKF	IKO	NTN
CFE-1/2-N-S	CRSE-8	-	CR-1/2-AXE	-	-	-
CFE-1/2-S	CRSE-8-1	S-16-LX	CR-1/2XE	CFE-8-1-PP	-	-
CFE-9/16-S	-	S-18-LX	CR-9/16XE	-	-	-
CFE-5/8-N-S	CRSE-10	-	CR-5/8-AXE	-	-	-
CFE-5/8-S	CRSE-10-1	S-20-LX	CR-5/8XE	CFE-10-1-PP	-	-
CFE-11/16-S	-	S-22-LX	CR-11/16XE	-	-	-
CFE-3/4-S	CRSE-12	S-24-LX	CR-3/4XE	CFE-12-PP	-	-
CFE-7/8-S	CRSE-14	S-28-LX	CR-7/8XE	CFE-14-PP	-	-
CFE-1-S	CRSE-16	S-32-LX	CR-1XE	CFE-16-PP	-	-
CFE-1 1/8-S	CRSE-18	S-36-LX	CR-1 1/8XE	CFE-18-PP	-	-
CFE-1 1/4-S	CRSE-20	S-40-LX	CR-1 1/4XE	CFE-20-PP	-	-
CFE-1 3/8-S	CRSE-22	S-44-LX	CR-1 3/8XE	CFE-22-PP	-	-
CFE-1 1/2-S	CRSE-24	S-48-LX	CR-1 1/2XE	CFE-24-PP	-	-
CFE-1 5/8-S	CRSE-26	S-52-LX	CR-1 5/8XE	CFE-26-PP	-	-
CFE-1 3/4-S	CRSE-28	S-56-LX	CR-1 3/4XE	CFE-28-PP	-	-
CFE-1 7/8-S	CRSE-30	S-60-LX	CR-1 7/8XE	CFE-30-PP	-	-
CFE-2-S	CRSE-32	S-64-LX	CR-2XE	CFE-32-PP	-	-
CFE-2 1/4-S	CRSE-36	S-72-LX	CR-2 1/4XE	CFE-36-PP	-	-
CFE-2 1/2-S	CRSE-40	S-80-LX	CR-2 1/2XE	CFE-40-PP	-	-
CFE-2 3/4-S	CRSE-44	S-88-LX	CR-2 3/4XE	CFE-44-PP	-	-
CFE-3-S	CRSE-48	S-96-LX	CR-3XE	CFE-48-PP	-	-
CFE-3 1/4-S	CRSE-52	S-104-LX	CR-3 1/4XE	CFE-52-PP	-	-
CFE-3 1/2-S	CRSE-56	S-112-LX	CR-3 1/2XE	CFE-56-PP	-	-
CFE-4-S	CRSE-64	S-128-LX	CR-4XE	CFE-64-PP	-	-

Metric	With Cage	Crowned OD	Hex Socket	With Seals	Concentric	CCFE...S
Inch	Full Roller	Cylindrical OD	Slot Socket	W/O Seals	Eccentric	

Mc.GILL	TORR. NSK	RBC	SMITH	INA SKF	IKO	NTN
CCFE-1/2-N-S	CRSEC-8	-	CR-1/2-A-XEC	-	-	-
CCFE-1/2-S	CRSEC-8-1	CS-16-LX	CR-1/2-XEC	CFE-8-1-YPP	-	-
CCFE-9/16-S	-	CS-18-LX	CR-9/16-XEC	-	-	-
CCFE-5/8-N-S	CRSEC-10	-	CR-5/8-A-XEC	-	-	-
CCFE-5/8-S	CRSEC-10-1	CS-20-LX	CR-5/8-XEC	CFE-10-1-YPP	-	-
CCFE-11/16-S	-	CS-22-LX	CR-11/16-XEC	-	-	-
CCFE-3/4-S	CRSEC-12	CS-24-LX	CR-3/4-XEC	CFE-12-YPP	-	-
CCFE-7/8-S	CRSEC-14	CS-28-LX	CR-7/8-XEC	CFE-14-YPP	-	-
CCFE-1-S	CRSEC-16	CS-32-LX	CR-1-XEC	CFE-16-YPP	-	-
CCFE-1 1/8-S	CRSEC-18	CS-36-LX	CR-1 1/8-XEC	CFE-18-YPP	-	-
CCFE-1 1/4-S	CRSEC-20	CS-40-LX	CR-1 1/4-XEC	CFE-20-YPP	-	-
CCFE-1 3/8-S	CRSEC-22	CS-44-LX	CR-1 3/8-XEC	CFE-22-YPP	-	-
CCFE-1 1/2-S	CRSEC-24	CS-48-LX	CR-1 1/2-XEC	CFE-24-YPP	-	-
CCFE-1 5/8-S	CRSEC-26	CS-52-LX	CR-1 5/8-XEC	CFE-26-YPP	-	-
CCFE-1 3/4-S	CRSEC-28	CS-56-LX	CR-1 3/4-XEC	CFE-28-YPP	-	-
CCFE-1 7/8-S	CRSEC-30	CS-60-LX	CR-1 7/8-XEC	CFE-30-YPP	-	-
CCFE-2-S	CRSEC-32	CS-64-LX	CR-2-XEC	CFE-32-YPP	-	-
CCFE-2 1/4-S	CRSEC-36	CS-72-LX	CR-2 1/4-XEC	CFE-36-YPP	-	-
CCFE-2 1/2-S	CRSEC-40	CS-80-LX	CR-2 1/2-XEC	CFE-40-YPP	-	-
CCFE-2 3/4-S	CRSEC-44	CS-88-LX	CR-2 3/4-XEC	CFE-44-YPP	-	-
CCFE-3-S	CRSEC-48	CS-96-LX	CR-3-XEC	CFE-48-YPP	-	-
CCFE-3 1/4-S	CRSEC-52	CS-104-LX	CR-3 1/4-XEC	CFE-52-YPP	-	-
CCFE-3 1/2-S	CRSEC-56	CS-112-LX	CR-3 1/2-XEC	CFE-56-YPP	-	-
CCFE-4-S	CRSEC-64	CS-128-LX	CR-4-XEC	CFE-64-YPP	-	-

Miniature Cam Followers

- CFS...A & CFS...VA
- HEX SOCKET



Cylindrical OD	Dimensions(mm)										Basic load rating		Largest permissible Load(N)	Max tightening torque N.m	N.W. ≈g
	d	D	C	G	G1	B1	B2	C1	H	f min	dynamic Cr(N)	static Cor(N)			
CFS 2.5A	2.5	5	3	M2.5x0.45	2.5	9.5	5	0.7	0.9	4.8	410	355	260	0.2	1
CFS2.5VA											1000	1080			
CFS 3A	3	6	4	M3x0.5	3	11.5	6	0.7	1.5	5.8	630	610	360	0.3	2
CFS 3VA											1370	1770			
CFS 4A	4	8	5	M4x0.7	4	15	8	1	2	7.7	1080	1080	780	0.6	4
CFS 4VA											2350	3040			
CFS 5A	5	10	6	M5x0.7	5	18	10	1	2.5	9.6	1570	1860	1420	1.3	7
CFS 5VA											3140	4710			
CFS 6A	6	12	7	M6x1	6	21.5	12	1.2	3	11.6	2060	2160	2110	2.3	13
CFS 6VA											4610	6270			

Interchange

C&H		IKO		NTN	
cage	full roller	cage	full roller	cage	full roller
CFS 2.5A	CFS 2.5VA	CFS 2.5	CFS 2.5V	KRM5XT2H/3A	KRMV5XT2H/3A
CFS 3A	CFS 3VA	CFS 3	CFS 3V	KRM6XT2H/3A	KRMV6XT2H/3A
CFS 4A	CFS 4VA	CFS 4	CFS 4V	KRM8XT2H/3A	KRMV8XT2H/3A
CFS 5A	CFS 5VA	CFS 5	CFS 5V	KRM10XT2H/3A	KRMV10XT2H/3A
CFS 6A	CFS 6VA	CFS 6	CFS 6V	KRM12XT2H/3A	KRMV12XT2H/3A

Stainless Steel Miniature Cam Followers

- SCFS...A & SCFS...VA
- HEX SOCKET



Cylindrical OD	Dimensions(mm)										Basic load rating		Largest permissible Load(N)	Max tightening torque N.m	N.W. ≈g
	d	D	C	G	G1	B1	B2	C1	H	f min	dynamic Cr(N)	static Cor(N)			
SCFS 2.5A	2.5	5	3	M2.5x0.45	2.5	9.5	5	0.7	0.9	4.8	370	300	260	0.2	1
SCFS2.5VA											920	990			
SCFS 3A	3	6	4	M3x0.5	3	12	6	0.7	1.5	5.8	570	560	360	0.3	2
SCFS 3VA											1260	1620			
SCFS 4A	4	8	5	M4x0.7	4	15	8	1	2	7.7	990	990	780	0.6	4
SCFS 4VA											2160	2790			
SCFS 5A	5	10	6	M5x0.7	5	18	10	1	2.5	9.6	1440	1710	1420	1.3	7
SCFS 5VA											2880	4330			
SCFS 6A	6	12	7	M6x1	6	22	12	1.2	3	11.6	1890	1980	2110	2.3	13
SCFS 6VA											4240	5760			

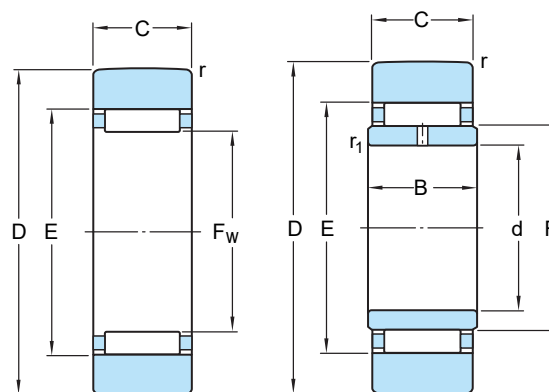
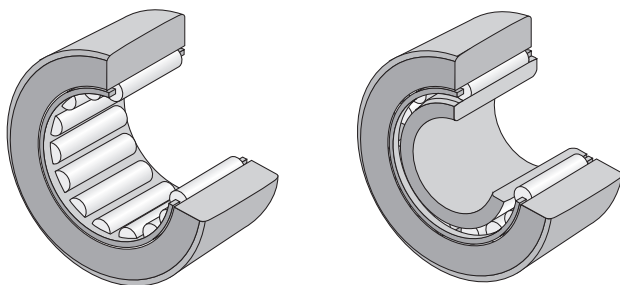
Interchange

C&H		IKO		NTN	
cage	full roller	cage	full roller	cage	full roller
SCFS 2.5A	SCFS 2.5VA	CFS 2.5F	CFS 2.5FV	2F-KRM5XT2H/3A	2F-KRMV5XT2H/3A
SCFS 3A	SCFS 3VA	CFS 3F	CFS 3FV	2F-KRM6XT2H/3A	2F-KRMV6XT2H/3A
SCFS 4A	SCFS 4VA	CFS 4F	CFS 4FV	2F-KRM8XT2H/3A	2F-KRMV8XT2H/3A
SCFS 5A	SCFS 5VA	CFS 5F	CFS 5FV	2F-KRM10XT2H/3A	2F-KRMV10XT2H/3A
SCFS 6A	SCFS 6VA	CFS 6F	CFS 6FV	2F-KRM12XT2H/3A	2F-KRMV12XT2H/3A

Yoke type track rollers-RSTO,STO

separable,without axial guidance

D 16 – 90 mm



RSTO

STO

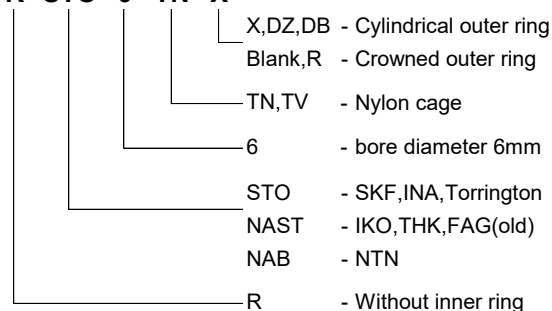
Part Number	Mass	Part Number	Mass	Dimensions							Basic load rating		Fatigue load limit	Maximum radial load		Limiting speed
	m		m	D	d	C	B	E	Fw(F)	r _{min}	C	C ₀	P _u	F _r	F _{or}	r/min
	kg		kg	mm							kN					
RSTO5	0.0085	STO5		16	-	7.8	-	10	7	0.3	2.51	2.55	0.27	3.55	5	8000
RSTO6	0.0125	STO6	0.017	19	6	9.8	10	13	10	0.3	3.74	4.5	0.5	4.25	6.1	7000
RSTO8	0.021	STO8	0.026	24	8	9.8	10	15	12	0.3	4.13	5.4	0.6	7.5	10.8	7000
RSTO10	0.042	STO10	0.049	30	10	11.8	12	20	14	0.3	8.25	8.8	1.04	8.5	12.2	5500
RSTO12	0.049	STO12	0.057	32	12	11.8	12	22	16	0.3	8.8	9.8	1.18	8.3	12	4500
RSTO15	0.05	STO15	0.063	35	15	11.8	12	26	20	0.3	9.13	10.6	1.27	7.1	10	3300
RSTO17	0.088	STO17	0.107	40	17	15.8	16	29	22	0.3	14.2	17.6	2.08	12	17.3	2800
RSTO20	0.13	STO20	0.152	47	20	15.8	16	32	25	0.3	16.1	21.2	2.5	18.6	26.5	2400
RSTO25	0.15	STO25	0.177	52	25	15.8	16	37	30	0.3	16.5	22.8	2.7	18	26	1800
RSTO30	0.255	STO30	0.308	62	30	19.8	20	46	38	0.6	22.9	34.5	4.25	23.6	33.5	1300
RSTO35	0.375	STO35	0.441	72	35	19.8	20	50	42	0.6	24.6	39	4.8	36	51	1100
RSTO40	0.42	STO40	0.53	80	40	19.8	20	58	50	1	23.8	39	4.75	34.5	49	850
RSTO45	0.453	STO45	0.576	85	45	19.8	20	63	55	1	25.1	43	5.3	34.5	50	750
RSTO50	0.481	STO50	0.617	90	50	19.8	20	68	60	1	26	45.5	5.7	34.5	50	650

Note: Available X105CrMo17/1.4125/440 or X20Cr13/1.4021/420 stainless steel, size 5,6,8 available with nylon cage suffix "TN"

Interchange

Maker	Series	Crowned outer ring	Cylindrical inner ring	Nylon cage	Without inner ring
C&H	STO	blank	suffix "X"	suffix "TN"	prefix "R"
SKF	STO	blank	suffix "X"	suffix "TN"	prefix "R"
INA	STO	blank	suffix "X"	suffix "TV"	prefix "R"
FAG	STO	blank	suffix "DZ"	suffix "TV"	prefix "R"
FAG(old)	NAST	DB	blank		prefix "R"
IKO	NAST	R	blank		prefix "R"
THK	NAST	R	blank		prefix "R"
Torrington	STO	blank	suffix "DZ"	suffix "TN"	prefix "R"
Koyo	STO	blank	suffix "DZ"		prefix "R"
NTN	NAB	R	Blank	suffix "T2"	prefix "R"

R STO 6 TN X



Crowned, with inner ring

C&H	INA	SKF	Torrington	IKO · THK	NTN
STO6	STO6TV	STO6TN	STO6	NAST6R	NAB2/6T2
STO8	STO8TV	STO8TN	STO8	NAST8R	NAB2/8
STO10	STO10	STO10	STO10	NAST10R	NAB200
STO12	STO12	STO12	STO12	NAST12R	NAB201
STO15	STO15	STO15	STO15	NAST15R	NAB202
STO17	STO17	STO17	STO17	NAST17R	NAB203
STO20	STO20	STO20	STO20	NAST20R	NAB204
STO25	STO25	STO25	STO25	NAST25R	NAB205
STO30	STO30	STO30	STO30	NAST30R	NAB206
STO35	STO35	STO35	STO35	NAST35R	NAB207
STO40	STO40	STO40	STO40	NAST40R	NAB208
STO45	STO45	STO45	STO45	NAST45R	NAB209
STO50	STO50	STO50	STO50	NAST50R	NAB210

Cylindrical, with inner ring

C&H	INA	SKF	Torrington	IKO · THK	NTN
STO6X	STO6XTV	STO6TNX	STO6DZ	NAST6	NAB2/6XT2
STO8X	STO8XTV	STO7TNX	STO8DZ	NAST8	NAB2/8X
STO10X	STO10X	STO10X	STO10DZ	NAST10	NAB200X
STO12X	STO12X	STO12X	STO12DZ	NAST12	NAB201X
STO15X	STO15X	STO15X	STO15DZ	NAST15	NAB202X
STO17X	STO17X	STO17X	STO17DZ	NAST17	NAB203X
STO20X	STO20X	STO20X	STO20DZ	NAST20	NAB204X
STO25X	STO25X	STO25X	STO25DZ	NAST25	NAB205X
STO30X	STO30X	STO30X	STO30DZ	NAST30	NAB206X
STO35X	STO35X	STO35X	STO35DZ	NAST35	NAB207X
STO40X	STO40X	STO40X	STO40DZ	NAST40	NAB208X
STO45X	STO45X	STO45X	STO45DZ	NAST45	NAB209X
STO50X	STO50X	STO50X	STO50DZ	NAST50	NAB210X

Crowned, without inner ring

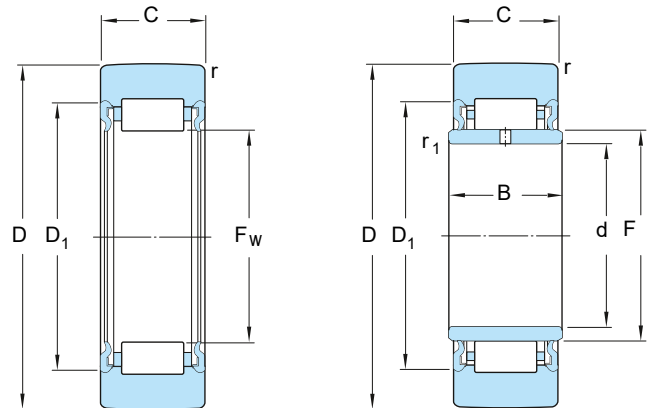
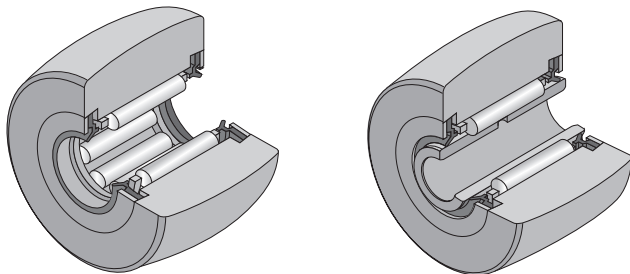
C&H	INA	SKF	Torrington	IKO · THK	NTN
RSTO5	RSTO5TV	RSTO5TN	RSTO5	RNAST5R	RNAB2/5XT2
RSTO6	RSTO6TV	RSTO6TN	RSTO6	RNAST6R	RNAB2/6T2
RSTO8	RSTO8TV	RSTO8TN	RSTO8	RNAST8R	RNAB2/8
RSTO10	RSTO10	RSTO10	RSTO10	RNAST10R	RNAB200
RSTO12	RSTO12	RSTO12	RSTO12	RNAST12R	RNAB201
RSTO15	RSTO15	RSTO15	RSTO15	RNAST15R	RNAB202
RSTO17	RSTO17	RSTO17	RSTO17	RNAST17R	RNAB203
RSTO20	RSTO20	RSTO20	RSTO20	RNAST20R	RNAB204
RSTO25	RSTO25	RSTO25	RSTO25	RNAST25R	RNAB205
RSTO30	RSTO30	RSTO30	RSTO30	RNAST30R	RNAB206
RSTO35	RSTO35	RSTO35	RSTO35	RNAST35R	RNAB207
RSTO40	RSTO40	RSTO40	RSTO40	RNAST40R	RNAB208
RSTO45	RSTO45	RSTO45	RSTO45	RNAST45R	RNAB209
RSTO50	RSTO50	RSTO50	RSTO50	RNAST50R	RNAB210

Cylindrical, without inner ring

C&H	INA	SKF	Torrington	IKO · THK	NTN
RSTO5X	RSTO5XTV	RSTO5TNX	RSTO5DZ		
RSTO6X	RSTO6XTV	RSTO6TNX	RSTO6DZ	NAST6	NAB2/6XT2
RSTO8X	RSTO8XTV	RSTO8TNX	RSTO8DZ	NAST8	NAB2/8X
RSTO10X	RSTO10X	RSTO10X	RSTO10DZ	NAST10	NAB200X
RSTO12X	RSTO12X	RSTO12X	RSTO12DZ	NAST12	NAB201X
RSTO15X	RSTO15X	RSTO15X	RSTO15DZ	NAST15	NAB202X
RSTO17X	RSTO17X	RSTO17X	RSTO17DZ	NAST17	NAB203X
RSTO20X	RSTO20X	RSTO20X	RSTO20DZ	NAST20	NAB204X
RSTO25X	RSTO25X	RSTO25X	RSTO25DZ	NAST25	NAB205X
RSTO30X	RSTO30X	RSTO30X	RSTO30DZ	NAST30	NAB206X
RSTO35X	RSTO35X	RSTO35X	RSTO35DZ	NAST35	NAB207X
RSTO40X	RSTO40X	RSTO40X	RSTO40DZ	NAST40	NAB208X
RSTO45X	RSTO45X	RSTO45X	RSTO45DZ	NAST45	NAB209X
RSTO50X	RSTO50X	RSTO50X	RSTO50DZ	NAST50	NAB210X

Yoke type track rollers-NA..2RS

separable, without axial guidance, double lip seals
D 16 – 90 mm



Part Number	Mass	Part Number	Mass	Dimensions								Basic load rating		Fatigue load limit		Maximum radial load		Limiting speed
				m	D	d	C	B	d1	Fw(F)	r _{min}	r _{1 min}	C	C ₀	P _u	F _r	F _{0r}	
				kg	mm								kN					
NA22/6-2RS	0.022	RNA22/6-2RS	0.018	19	6	11.8	12	16	10	0.3	0.3	3.52	3	0.34	1.93	2.75	7000	
NA22/8-2RS	0.034	RNA22/8-2RS	0.029	24	8	11.8	12	18	12	0.3	0.3	4.46	4.4	0.5	5	7.1	6700	
NA2200-2RS	0.06	RNA2200-2RS	0.052	30	10	13.8	14	20	14	0.6	0.3	6.44	7.2	0.85	12	17	5500	
NA2201-2RS	0.067	RNA2201-2RS	0.057	32	12	13.8	14	22	16	0.6	0.3	6.93	8.15	0.965	11.6	16.6	4700	
NA2202-2RS	0.075	RNA2202-2RS	0.06	35	15	13.8	14	26	20	0.6	0.3	7.21	9	1.04	9.65	13.7	3400	
NA2203-2RS	0.112	RNA2203-2RS	0.094	40	17	15.8	16	28	22	1	0.3	9.35	12.9	1.53	16	22.8	3000	
NA2204-2RS	0.177	RNA2204-2RS	0.152	47	20	17.8	18	33	25	1	0.3	15.4	17.3	2.12	17.6	25.5	2300	
NA2205-2RS	0.209	RNA2205-2RS	0.179	52	25	17.8	18	38	30	1	0.3	16.1	19	2.32	17.3	24.5	1800	
NA2206-2RS	0.324	RNA2206-2RS	0.284	62	30	19.8	20	43	35	1	0.3	17.6	24.5	3	28.5	40.5	1400	
NA2207-2RS	0.505	RNA2207-2RS	0.432	72	35	22.7	23	50	42	1.1	0.6	22	34	4.3	39	56	1100	
NA2208-2RS	0.628	RNA2208-2RS	0.53	80	40	22.7	23	57	48	1.1	0.6	27	39	4.9	37.5	53	850	
NA2209-2RS	0.655	RNA2209-2RS	0.545	85	45	22.7	23	62	52	1.1	0.6	28.5	43	5.7	40.5	64	800	
NA2210-2RS	0.69	RNA2210-2RS	0.563	90	50	22.7	23	68	58	1.1	0.6	28	42.5	5.7	42.5	70	650	

Note: Available X105CrMo17/1.4125/440 or X20Cr13/1.4021/420 stainless steel, available with nylon cage suffix "TN"

Interchange

Maker	Series	Crowned outer ring	Cylindrical inner ring	Lip seals	Without inner ring
C&H	NA22	blank	suffix "X"	suffix "2RS"	prefix "R"
SKF	NA22	blank	suffix "X"	suffix "2RS"	prefix "R"
SKF(old)	NA22	blank	suffix "P"	suffix "2RS"	prefix "R"
INA	NA22	blank	suffix "X"	suffix "2RSR"	prefix "R"
FAG(old)	NA22	blank	suffix "DZ"	suffix "2RSR"	prefix "R"
NTN	NA22	R	Blank	suffix "LL"	prefix "R"
Torrington	NA22	blank	suffix "DZ"	suffix "2RS"	prefix "R"

R NA 6 2RS X

- X, DZ, P - Cylindrical outer ring
- Blank - Crowned outer ring
- TN - Nylon cage
- 6 - Bore diameter
- NA - Series
- R - Without inner ring

Crowned, with inner ring, with lip seals

C&H · SKF · Torrington	INA	NTN
NA 22/6.2RS	NA22/6-2RSR	NA22/6LL/3AS
NA 22/8.2RS	NA22/8-2RSR	NA22/8LL/3AS
NA 2200.2RS	NA2200-2RSR	NA2200LL/3AS
NA 2201.2RS	NA2201-2RSR	NA2201LL/3AS
NA 2202.2RS	NA2202-2RSR	NA2202LL/3AS
NA 2203.2RS	NA2203-2RSR	NA2203LL/3AS
NA 2204.2RS	NA2204-2RSR	NA2204LL/3AS
NA 2205.2RS	NA2205-2RSR	NA2205LL/3AS
NA 2206.2RS	NA2206-2RSR	NA2206LL/3AS
NA 2207.2RS	NA2207-2RSR	NA2207LL/3AS
NA 2208.2RS	NA2208-2RSR	NA2208LL/3AS
NA 2209.2RS	NA2209-2RSR	NA2209LL/3AS
NA 2210.2RS	NA2210-2RSR	NA2210LL/3AS

Cylindrical, with inner ring, with lip seals

C&H · SKF	INA	Torrington	NTN
NA22/6.2RSX	NA22/6-2RSRX	NA22/6.2RS.DZ	NA22/6XLL/3AS
NA22/8.2RSX	NA22/8-2RSRX	NA22/8.2RS.DZ	NA22/8XLL/3AS
NA2200.2RSX	NA2200-2RSRX	NA2200.2RS.DZ	NA2200XLL/3AS
NA2201.2RSX	NA2201-2RSRX	NA2201.2RS.DZ	NA2201XLL/3AS
NA2202.2RSX	NA2202-2RSRX	NA2202.2RS.DZ	NA2202XLL/3AS
NA2203.2RSX	NA2203-2RSRX	NA2203.2RS.DZ	NA2203XLL/3AS
NA2204.2RSX	NA2204-2RSRX	NA2204.2RS.DZ	NA2204XLL/3AS
NA2205.2RSX	NA2205-2RSRX	NA2205.2RS.DZ	NA2205XLL/3AS
NA2206.2RSX	NA2206-2RSRX	NA2206.2RS.DZ	NA2206XLL/3AS
NA2207.2RSX	NA2207-2RSRX	NA2207.2RS.DZ	NA2207XLL/3AS
NA2208.2RSX	NA2208-2RSRX	NA2208.2RS.DZ	NA2208XLL/3AS
NA2209.2RSX	NA2209-2RSRX	NA2209.2RS.DZ	NA2209XLL/3AS
NA2210.2RSX	NA2210-2RSRX	NA2210.2RS.DZ	NA2210XLL/3AS

Crowned, without inner ring, with lip seals

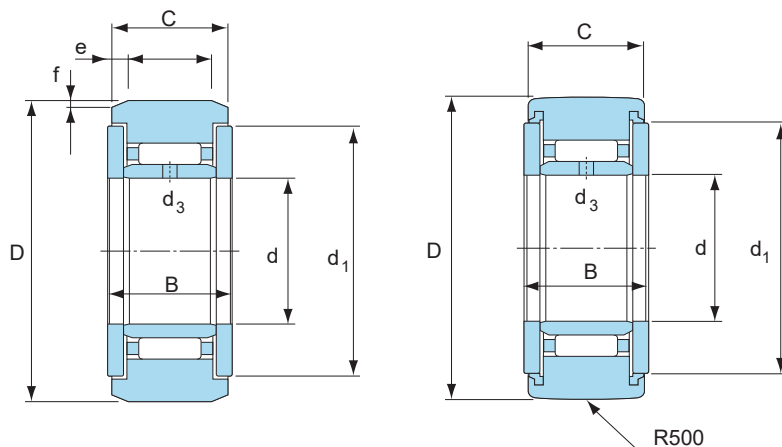
C&H · SKF · Torrington	INA	NTN
RNA22/6.2RS	RNA22/6-2RSR	RNA22/6LL/3AS
RNA22/8.2RS	RNA22/8-2RSR	RNA22/8LL/3AS
RNA2200.2RS	RNA2200-2RSR	RNA2200LL/3AS
RNA2201.2RS	RNA2201-2RSR	RNA2201LL/3AS
RNA2202.2RS	RNA2202-2RSR	RNA2202LL/3AS
RNA2203.2RS	RNA2203-2RSR	RNA2203LL/3AS
RNA2204.2RS	RNA2204-2RSR	RNA2204LL/3AS
RNA2205.2RS	RNA2205-2RSR	RNA2205LL/3AS
RNA2206.2RS	RNA2206-2RSR	RNA2206LL/3AS
RNA2207.2RS	RNA2207-2RSR	RNA2207LL/3AS
RNA2208.2RS	RNA2208-2RSR	RNA2208LL/3AS
RNA2209.2RS	RNA2209-2RSR	RNA2209LL/3AS
RNA2210.2RS	RNA2210-2RSR	RNA2210LL/3AS

Cylindrical, without inner ring, with lip seals

C&H · SKF	INA	Torrington	NTN
RNA22/6.2RSX	RNA22/6-2RSRX	RNA22/6.2RS.DZ	RNA22/6XLL/3AS
RNA22/8.2RSX	RNA22/8-2RSRX	RNA22/8.2RS.DZ	RNA22/8XLL/3AS
RNA2200.2RSX	RNA2200-2RSRX	RNA2200.2RS.DZ	RNA2200XLL/3AS
RNA2201.2RSX	RNA2201-2RSRX	RNA2201.2RS.DZ	RNA2201XLL/3AS
RNA2202.2RSX	RNA2202-2RSRX	RNA2202.2RS.DZ	RNA2202XLL/3AS
RNA2203.2RSX	RNA2203-2RSRX	RNA2203.2RS.DZ	RNA2203XLL/3AS
RNA2204.2RSX	RNA2204-2RSRX	RNA2204.2RS.DZ	RNA2204XLL/3AS
RNA2205.2RSX	RNA2205-2RSRX	RNA2205.2RS.DZ	RNA2205XLL/3AS
RNA2206.2RSX	RNA2206-2RSRX	RNA2206.2RS.DZ	RNA2206XLL/3AS
RNA2207.2RSX	RNA2207-2RSRX	RNA2207.2RS.DZ	RNA2207XLL/3AS
RNA2208.2RSX	RNA2208-2RSRX	RNA2208.2RS.DZ	RNA2208XLL/3AS
RNA2209.2RSX	RNA2209-2RSRX	RNA2209.2RS.DZ	RNA2209XLL/3AS
RNA2210.2RSX	RNA2210-2RSRX	RNA2210.2RS.DZ	RNA2210XLL/3AS

Yoke type track rollers-NAST..ZZ

Separable,with axial washer



Part Number	Dimensions								Oil hole d3	Basic load rating		Track load capacity		Limiting speed r/min	Mass kg
	D	d	B	C	d1	e	f	r _{min}		C	C0	Cylindrical OD	Crowned OD		
	mm									kN					
NAST6ZZ	19	6	14	13.8	14	2.5	0.8	0.3	1.5	4.12	4.55	3.53	1.37	20000	0.025
NAST8ZZ	24	8	14	13.8	17.5	2.5	0.8	0.6	1.5	5.68	5.89	4.51	1.86	17000	0.039
NAST10ZZ	30	10	12	11.8	23.5	2.5	0.8	1	2	9.7	9.67	6.86	2.45	15000	0.065
NAST12ZZ	32	12	12	11.8	25.5	2.5	0.8	1	2	10.4	10.9	7.35	2.74	13000	0.075
NAST15ZZ	35	15	12	11.8	29	2.5	0.8	1	2	12.3	14.3	8.04	3.14	10000	0.083
NAST17ZZ	40	17	16	15.8	32.5	3	1	1	2	17.4	20.9	11.8	3.72	9500	0.135
NAST20ZZ	47	20	16	15.8	38	3	1	1	2.5	19.2	24.5	13.8	4.61	8500	0.195
NAST25ZZ	52	25	16	15.8	43	3	1	1	2.5	20.7	28.4	15.3	5.29	7000	0.225
NAST30ZZ	62	30	20	19.8	50.5	4	1.2	1	3	30.3	45.4	22.1	6.66	5500	0.4
NAST35ZZ	72	35	20	19.8	53.5	4	1.2	1	3	32.2	50.6	25.7	8.13	5000	0.55
NAST40ZZ	80	40	20	19.8	61.5	4	1.2	1.5	3	35.7	61.6	30.3	9.31	4000	0.71
NAST45ZZ	85	45	20	19.8	66.5	4	1.2	1.5	3	37.1	66.4	31.1	10.1	4000	0.76
NAST50ZZ	90	50	20	19.8	76	4	1.2	1.5	3	38.7	71.8	34	11	3500	0.83

Note

The limiting speed applies shows in this table is for type without seal and grease lubrication. In oil lubrication conditions, up to 130% of this value is permitted. For the rollers with seals and grease lubrication, 70% of this value is permitted.

Interchange

Maker	Series	Seals	Crowned	Cylindrical
C&H	NAST..ZZ	UU	R	Blank
THK	NAST..ZZ	UU	R	Blank
IKO	NAST..ZZ	UU	R	Blank
Torrington	STO..ZZ	-	Blank	DZ
Koyo	CZM	UU	R	Blank
NTN	NABR	-	Blank	X
INA · SKF	NAST..ZZ	P	-	Blank

NAST 25 M ZZ UU R

- Blank - Cylindrical outer ring
- R - Crowned outer ring
- Blank - Without seals
- UU - With seals
- Blank - 52100 Bearing steel
- M - 440 Stainless steel
- 25 - Bore dia. 25mm

Cylindrical, without seals

C&H	IKO · THK	NTN	KOYO	INA · SKF	FAG · Torrington
NAST6ZZ	NAST6ZZ	NABR6X	CZM6	NAST6P-2Z	STO6ZZ.DZ
NAST8ZZ	NAST8ZZ	NABR8X	CZM8	NAST8P-2Z	STO8ZZ.DZ
NAST10ZZ	NAST10ZZ	NABR10X	CZM10	NAST10P-2Z	STO10ZZ.DZ
NAST12ZZ	NAST12ZZ	NABR12X	CZM12	NAST12P-2Z	STO12ZZ.DZ
NAST15ZZ	NAST15ZZ	NABR15X	CZM15	NAST15P-2Z	STO15ZZ.DZ
NAST17ZZ	NAST17ZZ	NABR17X	CZM17	NAST17P-2Z	STO17ZZ.DZ
NAST20ZZ	NAST20ZZ	NABR20X	CZM20	NAST20P-2Z	STO20ZZ.DZ
NAST25ZZ	NAST25ZZ	NABR25X	CZM25	NAST25P-2Z	STO25ZZ.DZ
NAST30ZZ	NAST30ZZ	NABR30X	CZM30	NAST30P-2Z	STO30ZZ.DZ
NAST35ZZ	NAST35ZZ	NABR35X	CZM35	NAST35P-2Z	STO35ZZ.DZ
NAST40ZZ	NAST40ZZ	NABR40X	CZM40	NAST40P-2Z	STO40ZZ.DZ
NAST45ZZ	NAST45ZZ	NABR45X	CZM45	NAST45P-2Z	STO45ZZ.DZ
NAST50ZZ	NAST50ZZ	NABR50X	CZM50	-	STO50ZZ.DZ

Cylindrical, with seals

C&H	IKO · THK	KOYO
NAST6ZZUU	NAST6ZZUU	CZM6UU
NAST8ZZUU	NAST8ZZUU	CZM8UU
NAST10ZZUU	NAST10ZZUU	CZM10UU
NAST12ZZUU	NAST12ZZUU	CZM12UU
NAST15ZZUU	NAST15ZZUU	CZM15UU
NAST17ZZUU	NAST17ZZUU	CZM17UU
NAST20ZZUU	NAST20ZZUU	CZM20UU
NAST25ZZUU	NAST25ZZUU	CZM25UU
NAST30ZZUU	NAST30ZZUU	CZM30UU
NAST35ZZUU	NAST35ZZUU	CZM35UU
NAST40ZZUU	NAST40ZZUU	CZM40UU
NAST45ZZUU	NAST45ZZUU	CZM45UU
NAST50ZZUU	NAST50ZZUU	CZM50UU

Crowned, without seals

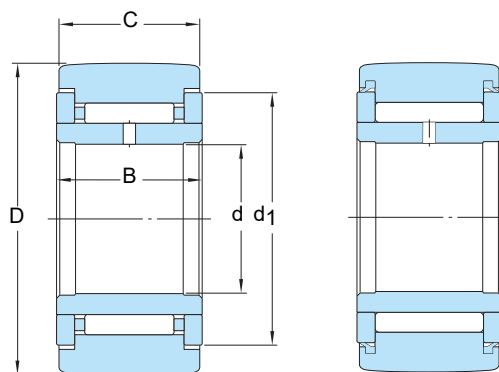
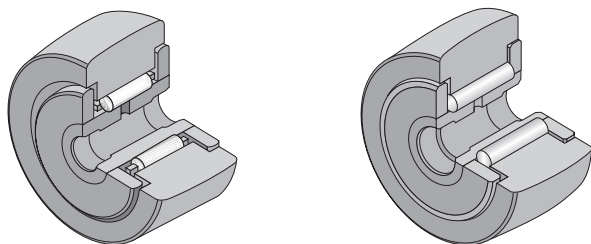
C&H	IKO · THK	NTN	KOYO	INA · SKF	FAG · Torrington
NAST6ZZR	NAST6ZZR	NABR6	CZM6R	NAST6-2Z	STO6ZZ
NAST8ZZR	NAST8ZZR	NABR8	CZM8R	NAST8-2Z	STO8ZZ
NAST10ZZR	NAST10ZZR	NABR10	CZM10R	NAST10-2Z	STO10ZZ
NAST12ZZR	NAST12ZZR	NABR12	CZM12R	NAST12-2Z	STO12ZZ
NAST15ZZR	NAST15ZZR	NABR15	CZM15R	NAST15-2Z	STO15ZZ
NAST17ZZR	NAST17ZZR	NABR17	CZM17R	NAST17-2Z	STO17ZZ
NAST20ZZR	NAST20ZZR	NABR20	CZM20R	NAST20-2Z	STO20ZZ
NAST25ZZR	NAST25ZZR	NABR25	CZM25R	NAST25-2Z	STO25ZZ
NAST30ZZR	NAST30ZZR	NABR30	CZM30R	NAST30-2Z	STO30ZZ
NAST35ZZR	NAST35ZZR	NABR35	CZM35R	NAST35-2Z	STO35ZZ
NAST40ZZR	NAST40ZZR	NABR40	CZM40R	NAST40-2Z	STO40ZZ
NAST45ZZR	NAST45ZZR	NABR45	CZM45R	NAST45-2Z	STO45ZZ
NAST50ZZR	NAST50ZZR	NABR50	CZM50R	-	STO50ZZ

Crowned, with seals

C&H	IKO · THK	KOYO
NAST6ZZUUR	NAST6ZZUUR	CZM6UUR
NAST8ZZUUR	NAST8ZZUUR	CZM8UUR
NAST10ZZUUR	NAST10ZZUUR	CZM10UUR
NAST12ZZUUR	NAST12ZZUUR	CZM12UUR
NAST15ZZUUR	NAST15ZZUUR	CZM15UUR
NAST17ZZUUR	NAST17ZZUUR	CZM17UUR
NAST20ZZUUR	NAST20ZZUUR	CZM20UUR
NAST25ZZUUR	NAST25ZZUUR	CZM25UUR
NAST30ZZUUR	NAST30ZZUUR	CZM30UUR
NAST35ZZUUR	NAST35ZZUUR	CZM35UUR
NAST40ZZUUR	NAST40ZZUUR	CZM40UUR
NAST45ZZUUR	NAST45ZZUUR	CZM45UUR
NAST50ZZUUR	NAST50ZZUUR	CZM50UUR

Yoke type track rollers-NATR,NATV

with inner ring and axial plain washer
D 16 – 90 mm



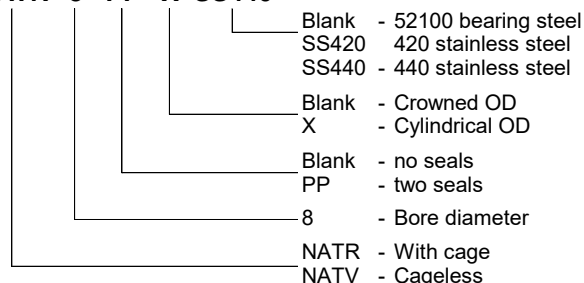
Part Number				Dimensions						Basic load rating		Fatigue load limit	Maximum radial load		Limiting speed	Mass
Crowned OD		Cylindrical OD		D	d	C	B	d1	r _{min}	C	C ₀	P _u	F _r	F _{0r}	r/min	m
w/o seals	with seals	w/o seals	with seals	mm						kN						kg
NATR 5	NATR 5 PP	NATR 5 X	NATR 5 PPX	16	5	11	12	12.5	0.15	3.14	3.2	0.345	2.9	4.15	6000	0.014
NATV 5	NATV 5 PP	NATV 5 X	NATV 5 PPX	16	5	11	12	12.5	0.15	4.73	6.55	0.72	4.05	5.7	3800	0.015
NATR 6	NATR 6 PP	NATR 6 X	NATR 6 PPX	19	6	11	12	15	0.15	3.47	3.8	0.415	3.8	5.5	5600	0.02
NATV 6	NATV 6 PP	NATV 6 X	NATV 6 PPX	19	6	11	12	15	0.15	5.28	8	0.88	5.1	7.35	3100	0.021
NATR 8	NATR 8 PP	NATR 8 X	NATR 8 PPX	24	8	14	15	19	0.3	5.28	6.1	0.695	5.2	7.35	5000	0.038
NATV 8	NATV 8 PP	NATV 8 X	NATV 8 PPX	24	8	14	15	19	0.3	7.48	11.4	1.32	7.35	10.4	2500	0.041
NATR 10	NATR 10 PP	NATR 10 X	NATR 10 PPX	30	10	14	15	23	0.6	6.44	8	0.88	7.8	11.2	4800	0.064
NATV 10	NATV 10 PP	NATV 10 X	NATV 10 PPX	30	10	14	15	23	0.6	8.97	14.6	1.66	11	15.6	2100	0.065
NATR 12	NATR 12 PP	NATR 12 X	NATR 12 PPX	32	12	14	15	25	0.6	6.6	8.5	0.95	7.65	10.8	4500	0.066
NATV 12	NATV 12 PP	NATV 12 X	NATV 12 PPX	32	12	14	15	25	0.6	9.35	15.3	1.76	10.6	15	1800	0.069
NATR 15	NATR 15 PP	NATR 15 X	NATR 15 PPX	35	15	18	19	27.6	0.6	9.52	13.7	1.56	11.4	16.3	3600	0.095
NATV 15	NATV 15 PP	NATV 15 X	NATV 15 PPX	35	15	18	19	27.6	0.6	12.3	23.2	2.7	14.6	20.8	1600	0.101
NATR 17	NATR 17 PP	NATR 17 X	NATR 17 PPX	40	17	20	21	31.5	1	10.5	14.6	1.73	12.5	18	2900	0.139
NATV 17	NATV 17 PP	NATV 17 X	NATV 17 PPX	40	17	20	21	31.5	1	14.2	26.5	3.1	17	24.5	1400	0.147
NATR 20	NATR 20 PP	NATR 20 X	NATR 20 PPX	47	20	24	25	36.5	1	14.7	24.5	2.9	23.6	33.5	2400	0.236
NATV 20	NATV 20 PP	NATV 20 X	NATV 20 PPX	47	20	24	25	36.5	1	19.4	41.5	5	30.5	43	1300	0.245
NATR 25	NATR 25 PP	NATR 25 X	NATR 25 PPX	52	25	24	25	41.5	1	14.7	25.5	3.1	21.6	31	1800	0.271
NATV 25	NATV 25 PP	NATV 25 X	NATV 25 PPX	52	25	24	25	41.5	1	19.8	44	5.3	28.5	40.5	1000	0.281
NATR 30	NATR 30 PP	NATR 30 X	NATR 30 PPX	62	30	28	29	51	1	22.9	37.5	4.55	26.5	38	1300	0.444
NATV 30	NATV 30 PP	NATV 30 X	NATV 30 PPX	62	30	28	29	51	1	29.2	62	7.65	34.5	49	850	0.468
NATR 35	NATR 35 PP	NATR 35 X	NATR 35 PPX	72	35	28	29	58	1.1	24.6	43	5.3	33.5	48	1000	0.547
NATV 35	NATV 35 PP	NATV 35 X	NATV 35 PPX	62	30	28	29	58	1.1	29.2	62	7.65	43	62	750	0.63
NATR 40	NATR 40 PP	NATR 40 X	NATR 40 PPX	80	40	30	32	66	1.1	31.9	57	7.1	41.5	58.5	850	0.795
NATV 40	NATV 40 PP	NATV 40 X	NATV 40 PPX	80	40	30	32	66	1.1	39.1	88	11	51	73.5	650	0.832
NATR 50	NATR 50 PP	NATR 50 X	NATR 50 PPX	80	40	30	32	76	1.1	31.9	57	7.1	40	57	650	0.867
NATV 50	NATV 50 PP	NATV 50 X	NATV 50 PPX	90	50	30	32	76	1.1	39.1	93	11.6	50	72	550	0.969

Note: Available X105CrMo17/1.4125/440 or X20Cr13/1.4021/420 stainless steel.

Interchange

Maker	Series	Series	Seals	Crowned	Cylindrical
C&H	NATR	NATV	PP	Blank	X
INA · SKF	NATR	NATR	PP	Blank	X
NTN	NATR	NATV	LL	Blank	X
IKO · THK	NART	NART..VR	UU	R	-
NSK	FY CJ	FY CR	S	R	Blank
Koyo	CX.M	CY.M	UU	R	Blank
McGill	MCYRR	MCYR	S	Blank	X
Smith	MYR	MYRV	S	Blank	C

NATR 8 PP X SS440



Interchange-NATR-NATV-Stainless steel

Interchange-NATR-NATV-Overall

Features	C&H	INA SKF	IKO THK	NTN	NSK	McGill	Smith	Torrington	Misumi
crowned OD	NATR	NATR	NART..R	NATR	FYCJ..R	MCYRR	MYR	-	NARTR
crowned OD,sealed	NATR..PP	NATR..PP	NART..UUR	NATR..LL	FYCJS..R	MCYRR..S	MYR..S	FYRJSC	NARTU
cylindrical OD	NATR..X	NATR..X	-	NATR..X	FYCJ	MCYRR..X	MYR..C	-	-
cylindrical OD,sealed	NATR..PPX	NATR..PPX	-	NATR..XLL	FYCJS	MCYRR..SX	MYR..SC	-	-
crowned OD,cageless	NATV	NATV	NART..VR	NATV	FYCR..R	MCYR	MYRV	-	NARTRV
crowned OD,cageless,sealed	NATV..PP	NATV..PP	NART..VUUR	NATV..LL	FYCRS..R	MCYR..S	MYRV..S	-	NARTV
cylindrical OD,cageless	NATV..X	NATV..X	-	NATV..X	FYCR	MCYR..X	MYRV..C	-	-
cylindrical OD,cageless,sealed	NATV..PPX	NATV..PPX	-	NATV..XLL	FYCRS	MCYR..SX	MYRV..SC	-	-
crowned OD, stainless steel	NATR..SS	-	NART..FR	-	-	-	-	-	NARTRS
crowned OD,sealed,stainless steel	NATR..PP-SS	-	NART..FUUR	-	-	-	-	-	NARTUS
crowned OD,cageless,sealed,stainless steel	NATV..PP-SS	-	-	-	-	-	-	-	NARTVS

Interchange of stainless steel NATR and NATV

440C			440C			440C		
Crowned OD			Crowned OD			Crowned OD		
With Cage			With Cage			W/O Cage		
W/O Seals			With Seals			With Seals		
C&H	IKO	Misumi	C&H	IKO	Misumi	C&H	Misumi	
NATR5-SS440	NART5FR	NARTRS5	NATR5-PP-SS440	NART5FUUR	NARTUS5	NATV5-PP-SS440	NARTVS5	
NATR6-SS440	NART6FR	NARTRS6	NATR6-PP-SS440	NART6FUUR	NARTUS6	NATV6-PP-SS440	NARTVS6	
NATR8-SS440	NART8FR	NARTRS8	NATR8-PP-SS440	NART8FUUR	NARTUS8	NATV8-PP-SS440	NARTVS8	
NATR10-SS440	NART10FR	NARTRS10	NATR10-PP-SS440	NART10FUUR	NARTUS10	NATV10-PP-SS440	NARTVS10	
NATR12-SS440	NART12FR	NARTRS12	NATR12-PP-SS440	NART12FUUR	NARTUS12	NATV12-PP-SS440	NARTVS12	
NATR15-SS440	NART15FR		NATR15-PP-SS440	NART15FUUR				
NATR17-SS440	NART17FR		NATR17-PP-SS440	NART17FUUR				
NATR20-SS440	NART20FR		NATR20-PP-SS440	NART20FUUR				
NATR25-SS440	NART25FR		NATR25-PP-SS440	NART25FUUR				
NATR30-SS440	NART30FR		NATR30-PP-SS440	NART30FUUR				

Interchange-NATR



Metric	With Cage	With Inner Ring	Crowned OD	W/O Seals	52100				
C&H	INA · SKF	IKO · THK	NTN	NSK	KOYO	Torrington	McGill	Smith	Misumi
NATR5	NATR5	NART5R	NATR5	FYCJ-5R	CXM5RM		MCYRR 5	MYR5	NARTR5
NATR6	NATR6	NART6R	NATR6	FYCJ-6R	CXM6RM		MCYRR 6	MYR6	NARTR6
NATR8	NATR8	NART8R	NATR8	FYCJ-8R	CXM8RM		MCYRR 8	MYR8	NARTR8
NATR10	NATR10	NART10R	NATR10	FYCJ-10R	CXM10RM		MCYRR 10	MYR10	NARTR10
NATR12	NATR12	NART12R	NATR12	FYCJ-12R	CXM12RM		MCYRR 12	MYR12	NARTR12
NATR15	NATR15	NART15R	NATR15	FYCJ-15R	CXM15RM		MCYRR 15	MYR15	-
NATR17	NATR17	NART17R	NATR17	FYCJ-17R	CXM17RM		MCYRR 17	MYR17	-
NATR20	NATR20	NART20R	NATR20	FYCJ-20R	CXM20RM		MCYRR 20	MYR20	-
NATR25	NATR25	NART25R	NATR25	FYCJ-25R	CXM25RM		MCYRR 25	MYR25	-
NATR30	NATR30	NART30R	NATR30	FYCJ-30R	CXM30RM		MCYRR 30	MYR30	-
NATR35	NATR35	NART35R	NATR35	FYCJ-35R	CXM35RM		MCYRR 35	MYR35	-
NATR40	NATR40	NART40R	NATR40	FYCJ-40R	CXM40RM		MCYRR 40	MYR40	-
-	-	NART45R	NATR45	FYCJ-45R	CXM45RM		MCYRR 45	MYR45	-
NATR50	NATR50	NART50R	NATR50	FYCJ-50R	CXM50RM		MCYRR 50	MYR50	-

Metric	With Cage	With Inner Ring	Crowned OD	With Seals	52100				
C&H	INA · SKF	IKO · THK	NTN	NSK	KOYO	Torrington	McGill	Smith	Misumi
NATR5PP	NATR5PP	NART5UUR	NATR5LL/3AS	FYCJS-5R	CXM5UURM	FYRJSC-516	MCYRR 5 S	MYR5S	NARTU5
NATR6PP	NATR6PP	NART6UUR	NATR6LL/3AS	FYCJS-6R	CXM6UURM	FYRJSC-619	MCYRR 6 S	MYR6S	NARTU6
NATR8PP	NATR8PP	NART8UUR	NATR8LL/3AS	FYCJS-8R	CXM8UURM	FYRJSC-824	MCYRR 8 S	MYR8S	NARTU8
NATR10PP	NATR10PP	NART10UUR	NATR10LL/3AS	FYCJS-10R	CXM10UURM	FYRJSC-1030	MCYRR 10 S	MYR10S	NARTU10
NATR12PP	NATR12PP	NART12UUR	NATR12LL/3AS	FYCJS-12R	CXM12UURM	FYRJSC-1232	MCYRR 12 S	MYR12S	NARTU12
NATR15PP	NATR15PP	NART15UUR	NATR15LL/3AS	FYCJS-15R	CXM15UURM	-	MCYRR 15 S	MYR15S	NARTU15
NATR17PP	NATR17PP	NART17UUR	NATR17LL/3AS	FYCJS-17R	CXM17UURM	-	MCYRR 17 S	MYR17S	NARTU17
NATR20PP	NATR20PP	NART20UUR	NATR20LL/3AS	FYCJS-20R	CXM20UURM	-	MCYRR 20 S	MYR20S	NARTU20
NATR25PP	NATR25PP	NART25UUR	NATR25LL/3AS	FYCJS-25R	CXM25UURM	-	MCYRR 25 S	MYR25S	-
NATR30PP	NATR30PP	NART30UUR	NATR30LL/3AS	FYCJS-30R	CXM30UURM	-	MCYRR 30 S	MYR30S	-
NATR35PP	NATR35PP	NART35UUR	NATR35LL/3AS	FYCJS-35R	CXM35UURM	-	MCYRR 35 S	MYR35S	-
NATR40PP	NATR40PP	NART40UUR	NATR40LL/3AS	FYCJS-40R	CXM40UURM	-	MCYRR 40 S	MYR40S	-
-	-	NART45UUR	NATR45LL/3AS	FYCJS-45R	CXM45UURM	-	MCYRR 45 S	MYR45S	-
NATR50PP	NATR50PP	NART50UUR	NATR50LL/3AS	FYCJS-50R	CXM50UURM	-	MCYRR 50 S	MYR50S	-

Metric	With Cage	With Inner Ring	Cylindrical OD	W/O Seals	52100				
C&H	INA · SKF	IKO · THK	NTN	NSK	KOYO	Torrington	McGill	Smith	Misumi
NATR5X	NATR5X		NATR5X	FYCJ-5	CXM5M		MCYRR 5 X	MYR5C	
NATR6X	NATR6X		NATR6X	FYCJ-6	CXM6M		MCYRR 6 X	MYR6C	
NATR8X	NATR8X		NATR8X	FYCJ-8	CXM8M		MCYRR 8 X	MYR8C	
NATR10X	NATR10X		NATR10X	FYCJ-10	CXM10M		MCYRR 10 X	MYR10C	
NATR12X	NATR12X		NATR12X	FYCJ-12	CXM12M		MCYRR 12 X	MYR12C	
NATR15X	NATR15X		NATR15X	FYCJ-15	CXM15M		MCYRR 15 X	MYR15C	
NATR17X	NATR17X		NATR17X	FYCJ-17	CXM17M		MCYRR 17 X	MYR17C	
NATR20X	NATR20X		NATR20X	FYCJ-20	CXM20M		MCYRR 20 X	MYR20C	
NATR25X	NATR25X		NATR25X	FYCJ-25	CXM25M		MCYRR 25 X	MYR25C	
NATR30X	NATR30X		NATR30X	FYCJ-30	CXM30M		MCYRR 30 X	MYR30C	
NATR35X	NATR35X		NATR35X	FYCJ-35	CXM35M		MCYRR 35 X	MYR35C	
NATR40X	NATR40X		NATR40X	FYCJ-40	CXM40M		MCYRR 40 X	MYR40C	
-	-		NATR45X	FYCJ-45	CXM45M		MCYRR 45 X	MYR45C	
NATR50X	NATR50X		NATR50X	FYCJ-50	CXM50M		MCYRR 50 X	MYR50C	

Metric	With Cage	With Inner Ring	Cylindrical OD	With Seals	52100				
C&H	INA · SKF	IKO · THK	NTN	NSK	KOYO	Torrington	McGill	Smith	Misumi
NATR5PPX	NATR5PPX		NATR5XLL/3AS	FYCJS-5	CXM5UUM		MCYRR 5 SX	MYR5SC	
NATR6PPX	NATR6PPX		NATR6XLL/3AS	FYCJS-6	CXM6UUM		MCYRR 6 SX	MYR6SC	
NATR8PPX	NATR8PPX		NATR8XLL/3AS	FYCJS-8	CXM8UUM		MCYRR 8 SX	MYR8SC	
NATR10PPX	NATR10PPX		NATR10XLL/3AS	FYCJS-10	CXM10UUM		MCYRR 10 SX	MYR10SC	
NATR12PPX	NATR12PPX		NATR12XLL/3AS	FYCJS-12	CXM12UUM		MCYRR 12 SX	MYR12SC	
NATR15PPX	NATR15PPX		NATR15XLL/3AS	FYCJS-15	CXM15UUM		MCYRR 15 SX	MYR15SC	
NATR17PPX	NATR17PPX		NATR17XLL/3AS	FYCJS-17	CXM17UUM		MCYRR 17 SX	MYR17SC	
NATR20PPX	NATR20PPX		NATR20XLL/3AS	FYCJS-20	CXM20UUM		MCYRR 20 SX	MYR20SC	
NATR25PPX	NATR25PPX		NATR25XLL/3AS	FYCJS-25	CXM25UUM		MCYRR 25 SX	MYR25SC	
NATR30PPX	NATR30PPX		NATR30XLL/3AS	FYCJS-30	CXM30UUM		MCYRR 30 SX	MYR30SC	
NATR35PPX	NATR35PPX		NATR35XLL/3AS	FYCJS-35	CXM35UUM		MCYRR 35 SX	MYR35SC	
NATR40PPX	NATR40PPX		NATR40XLL/3AS	FYCJS-40	CXM40UUM		MCYRR 40 SX	MYR40SC	
-	-		NATR45XLL/3AS	FYCJS-45	CXM45UUM		MCYRR 45 SX	MYR45SC	
NATR50PPX	NATR50PPX		NATR50XLL/3AS	FYCJS-50	CXM50UUM		MCYRR 50 SX	MYR50SC	

Metric	W/O Cage	With Inner Ring	Crowned OD	W/O Seals	52100				
C&H	INA · SKF	IKO · THK	NTN	NSK	KOYO	Torrington	McGill	Smith	Misumi
NATV5	NATV5	NART5VR	NATV5/3AS	FYCR-5R	CYM5RM		MCYR 5	MYRV5	NARTRV5
NATV6	NATV6	NART6VR	NATV6/3AS	FYCR-6R	CYM6RM		MCYR 6	MYRV6	NARTRV6
NATV8	NATV8	NART8VR	NATV8/3AS	FYCR-8R	CYM8RM		MCYR 8	MYRV8	NARTRV8
NATV10	NATV10	NART10VR	NATV10/3AS	FYCR-10R	CYM10RM		MCYR 10	MYRV10	NARTRV10
NATV12	NATV12	NART12VR	NATV12/3AS	FYCR-12R	CYM12RM		MCYR 12	MYRV12	NARTRV12
NATV15	NATV15	NART15VR	NATV15/3AS	FYCR-15R	CYM15RM		MCYR 15	MYRV15	-
NATV17	NATV17	NART17VR	NATV17/3AS	FYCR-17R	CYM17RM		MCYR 17	MYRV17	-
NATV20	NATV20	NART20VR	NATV20/3AS	FYCR-20R	CYM20RM		MCYR 20	MYRV20	-
NATV25	NATV25	NART25VR	NATV25/3AS	FYCR-25R	CYM25RM		MCYR 25	MYRV25	-
NATV30	NATV30	NART30VR	NATV30/3AS	FYCR-30R	CYM30RM		MCYR 30	MYRV30	-
NATV35	NATV35	NART35VR	NATV35/3AS	FYCR-35R	CYM35RM		MCYR 35	MYRV35	-
NATV40	NATV40	NART40VR	NATV40/3AS	FYCR-40R	CYM40RM		MCYR 40	MYRV40	-
-	-	NART45VR	NATV45/3AS	FYCR-45R	CYM45RM		MCYR 45	MYRV45	-
NATV50	NATV50	NART50VR	NATV50/3AS	FYCR-50R	CYM50RM		MCYR 50	MYRV50	-

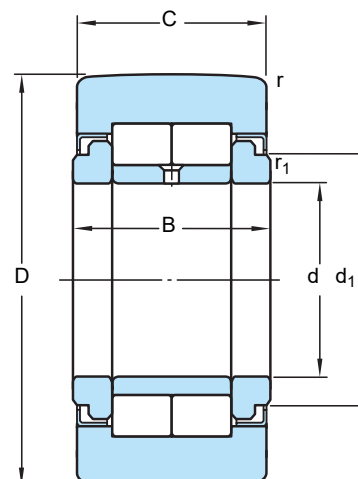
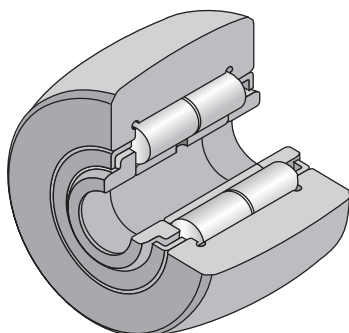
Metric	W/O Cage	With Inner Ring	Crowned OD	With Seals	52100				
C&H	INA · SKF	IKO · THK	NTN	NSK	KOYO	Torrington	McGill	Smith	Misumi
NATV5PP	NATV5PP	NART5VUUR	NATV5LL/3AS	FYCRS-5R	CYM5UURM		MCYR 5 S	MYRV5S	NARTV5
NATV6PP	NATV6PP	NART6VUUR	NATV6LL/3AS	FYCRS-6R	CYM6UURM		MCYR 6 S	MYRV6S	NARTV6
NATV8PP	NATV8PP	NART8VUUR	NATV8LL/3AS	FYCRS-8R	CYM8UURM		MCYR 8 S	MYRV8S	NARTV8
NATV10PP	NATV10PP	NART10VUUR	NATV10LL/3AS	FYCRS-10R	CYM10UURM		MCYR 10 S	MYRV10S	NARTV10
NATV12PP	NATV12PP	NART12VUUR	NATV12LL/3AS	FYCRS-12R	CYM12UURM		MCYR 12 S	MYRV12S	NARTV12
NATV15PP	NATV15PP	NART15VUUR	NATV15LL/3AS	FYCRS-15R	CYM15UURM		MCYR 15 S	MYRV15S	NARTV15
NATV17PP	NATV17PP	NART17VUUR	NATV17LL/3AS	FYCRS-17R	CYM17UURM		MCYR 17 S	MYRV17S	NARTV17
NATV20PP	NATV20PP	NART20VUUR	NATV20LL/3AS	FYCRS-20R	CYM20UURM		MCYR 20 S	MYRV20S	NARTV20
NATV25PP	NATV25PP	NART25VUUR	NATV25LL/3AS	FYCRS-25R	CYM25UURM		MCYR 25 S	MYRV25S	-
NATV30PP	NATV30PP	NART30VUUR	NATV30LL/3AS	FYCRS-30R	CYM30UURM		MCYR 30 S	MYRV30S	-
NATV35PP	NATV35PP	NART35VUUR	NATV35LL/3AS	FYCRS-35R	CYM35UURM		MCYR 35 S	MYRV35S	-
NATV40PP	NATV40PP	NART40VUUR	NATV40LL/3AS	FYCRS-40R	CYM40UURM		MCYR 40 S	MYRV40S	-
-	-	NART45VUUR	-	FYCRS-45R	CYM45UURM		MCYR 45 S	MYRV45S	-
NATV50PP	NATV50PP	NART50VUUR	NATV50LL/3AS	FYCRS-50R	CYM50UURM		MCYR 50 S	MYRV50S	-

Metric	W/O Cage	With Inner Ring	Cylindrical OD	W/O Seals	52100				
C&H	INA · SKF	IKO · THK	NTN	NSK	KOYO	Torrington	McGill	Smith	Misumi
NATV5X	NATV5X		NATV5X/3AS	FYCR-5	CYM5M		MCYR 5 X	MYRV5C	
NATV6X	NATV6X		NATV6X/3AS	FYCR-6	CYM6M		MCYR 6 X	MYRV6C	
NATV8X	NATV8X		NATV8X/3AS	FYCR-8	CYM8M		MCYR 8 X	MYRV8C	
NATV10X	NATV10X		NATV10X/3AS	FYCR-10	CYM10M		MCYR 10 X	MYRV10C	
NATV12X	NATV12X		NATV12X/3AS	FYCR-12	CYM12M		MCYR 12 X	MYRV12C	
NATV15X	NATV15X		NATV15X/3AS	FYCR-15	CYM15M		MCYR 15 X	MYRV15C	
NATV17X	NATV17X		NATV17X/3AS	FYCR-17	CYM17M		MCYR 17 X	MYRV17C	
NATV20X	NATV20X		NATV20X/3AS	FYCR-20	CYM20M		MCYR 20 X	MYRV20C	
NATV25X	NATV25X		NATV25X/3AS	FYCR-25	CYM25M		MCYR 25 X	MYRV25C	
NATV30X	NATV30X		NATV30X/3AS	FYCR-30	CYM30M		MCYR 30 X	MYRV30C	
NATV35X	NATV35X		NATV35X/3AS	FYCR-35	CYM35M		MCYR 35 X	MYRV35C	
NATV40X	NATV40X		NATV40X/3AS	FYCR-40	CYM40M		MCYR 40 X	MYRV40C	
-	-		NATV45X/3AS	FYCR-45	CYM45M		MCYR 45 X	MYRV45C	
NATV50X	NATV50X		NATV50X/3AS	FYCR-50	CYM50M		MCYR 50 X	MYRV50C	

Metric	W/O Cage	With Inner Ring	Cylindrical OD	With Seals	52100				
C&H	INA · SKF	IKO · THK	NTN	NSK	KOYO	Torrington	McGill	Smith	Misumi
NATV5PPX	NATV5PPX		NATV5XLL/3AS	FYCRS-5	CYM5UUM		MCYR 5 SX	MYRV5SC	
NATV6PPX	NATV6PPX		NATV6XLL/3AS	FYCRS-6	CYM6UUM		MCYR 6 SX	MYRV6SC	
NATV8PPX	NATV8PPX		NATV8XLL/3AS	FYCRS-8	CYM8UUM		MCYR 8 SX	MYRV8SC	
NATV10PPX	NATV10PPX		NATV10XLL/3AS	FYCRS-10	CYM10UUM		MCYR 10 SX	MYRV10SC	
NATV12PPX	NATV12PPX		NATV12XLL/3AS	FYCRS-12	CYM12UUM		MCYR 12 SX	MYRV12SC	
NATV15PPX	NATV15PPX		NATV15XLL/3AS	FYCRS-15	CYM15UUM		MCYR 15 SX	MYRV15SC	
NATV17PPX	NATV17PPX		NATV17XLL/3AS	FYCRS-17	CYM17UUM		MCYR 17 SX	MYRV17SC	
NATV20PPX	NATV20PPX		NATV20XLL/3AS	FYCRS-20	CYM20UUM		MCYR 20 SX	MYRV20SC	
NATV25PPX	NATV25PPX		NATV25XLL/3AS	FYCRS-25	CYM25UUM		MCYR 25 SX	MYRV25SC	
NATV30PPX	NATV30PPX		NATV30XLL/3AS	FYCRS-30	CYM30UUM		MCYR 30 SX	MYRV30SC	
NATV35PPX	NATV35PPX		NATV35XLL/3AS	FYCRS-35	CYM35UUM		MCYR 35 SX	MYRV35SC	
NATV40PPX	NATV40PPX		NATV40XLL/3AS	FYCRS-40	CYM40UUM		MCYR 40 SX	MYRV40SC	
-	-		-	FYCRS-45	CYM45UUM		MCYR 45 SX	MYRV45SC	
NATV50PPX	NATV50PPX		NATV50XLL/3AS	FYCRS-50	CYM50UUM		MCYR 50 SX	MYRV50SC	

Yoke type track rollers-NUTR

full complement cylindrical roller set, with inner ring, labyrinth seals on both sides



Part Number	Part Number	Dimensions									Basic load rating		Fatigue load limit	Maximum radial load		Limiting speed	Mass
		D	d	B	C	d ₁	F	r _{min}	r _{1 min}	C	C ₀	P _u	F _r	F _{or}	nD G	m	
Crowned OD	Cylindrical OD	mm								kN					r/min	kg	
NUTR15	NUTR15X	35	15	19	18	20	19	0.6	0.3	16.8	17.6	2	8.65	12.2	5000	0.099	
NUTR1542	NUTR1542X	42	15	19	18	20	21.5	0.6	0.3	20.1	23.2	2.65	21.6	31	5000	0.158	
NUTR17	NUTR17X	40	17	21	20	22	19	1	0.5	19	22	2.5	14	20	4500	0.147	
NUTR1747	NUTR1747X	47	17	21	20	22	21.5	1	0.5	22	27	3.05	30	43	5000	0.22	
NUTR20	NUTR20X	47	20	25	24	27	25.5	1	0.5	28.6	33.5	3.9	17.6	25	3800	0.245	
NUTR2052	NUTR2052X	52	20	25	24	27	25.5	1	0.5	31.9	39	4.55	30	42.5	3800	0.321	
NUTR25	NUTR25X	52	25	25	24	31	30	1	0.5	29.7	36	4.25	18	25.5	3800	0.281	
NUTR2562	NUTR2562X	62	25	25	24	31	30	1	0.5	35.8	48	5.6	44	63	3800	0.45	
NUTR30	NUTR30X	62	30	29	28	38	35	1	0.5	41.3	47.5	5.85	24	34.5	2600	0.465	
NUTR3072	NUTR3072X	72	30	29	28	38	35	1	0.5	48.4	61	7.5	53	76.5	2600	0.697	
NUTR35	NUTR35X	72	35	29	28	44	41.5	1.1	0.6	45.7	57	6.95	33.5	47.5	2000	0.63	
NUTR3580	NUTR3580X	80	35	29	28	44	41.5	1.1	0.6	51.2	68	8.3	57	81.5	2000	0.836	
NUTR40	NUTR40X	80	40	32	30	51	47.5	1.1	0.6	57.2	72	9	32	45.5	1600	0.816	
NUTR4090	NUTR4090X	90	40	32	30	51	47.5	1.1	0.6	68.2	91.5	11.4	63	90	1600	1.129	
NUTR45	NUTR45X	85	45	32	30	55	52.5	1.1	0.6	58.3	75	9.3	32.5	46.5	1400	0.883	
NUTR45100	NUTR45100X	100	45	32	30	55	52.5	1.1	0.6	73.7	104	12.7	80	114	1400	1.396	
NUTR50	NUTR50X	90	50	32	30	60	57	1.1	0.6	58.3	78	9.65	32.5	47.5	1300	0.95	
NUTR50110	NUTR50110X	110	50	32	30	60	57	1.1	0.6	78.1	116	14.3	98	140	1300	1.69	

Interchange

Features	C&H	INA · CR	SKF	IKO · THK	NTN	McGill	Smith	FAG(old)	Koyo-Torrington
Crowned OD	NUTR	NATR	NUTR..A	NURT..R	NUTR.../3AS	MCYRD	MUTD	NUTD	NUTR
cylindrical OD	NUTR..X	NUTR..X	NUTR..X	NURT	NUTR...X/3AS	MCYRD..X	MUTD..C	NUTD..DZ	NUTR..DZ

Features	C&H	INA · CR	SKF	IKO · THK	NTN	McGill	Smith	FAG(old)	Koyo-Torrington
Crowned OD	NUTR	NATR	NUTR..A	NURT..R	NUTR../3AS	MCYRD	MUTD	NUTD	NUTR
cylindrical OD	NUTR..X	NUTR..X	NUTR..X	NURT	NUTR...X/3AS	MCYRD..X	MUTD..C	NUTD..DZ	NUTR..DZ

Crowned OD

C&H	INA · CR	SKF	IKO · THK	NTN	Koyo · Torrington	McGill	Smith	FAG (old)
NUTR15	NUTR15	NUTR 15 A	NURT15R	NUTR202/3AS	NUTR 15	MCYRD15	MUTD15	NUTD 15
NUTR1542	NUTR1542	NUTR 1542 A	NURT15-1R	NUTR303/3AS	NUTR 1542		MUTD15-1	NUTD 1542
NUTR17	NUTR17	NUTR 17 A	NURT17R	NUTR203/3AS	NUTR 17	MCYRD17	MUTD17	NUTD 17
NUTR1747	NUTR1747	NUTR 1747 A	NURT17-1R	NUTR303/3AS	NUTR 1747		MUTD17-1	NUTD 1747
NUTR20	NUTR20	NUTR 20 A	NURT20R	NUTR204/3AS	NUTR 20	MCYRD20	MUTD20	NUTD 20
NUTR2052	NUTR2052	NUTR 2052 A	NURT20-1R	NUTR304/3AS	NUTR 2052		MUTD20-1	NUTD 2052
NUTR25	NUTR25	NUTR 25 A	NURT25R	NUTR205/3AS	NUTR 25	MCYRD25	MUTD25	NUTD 25
NUTR2562	NUTR2562	NUTR 2562 A	NURT25-1R	NUTR305/3AS	NUTR 2562		MUTD25-1	NUTD 2562
NUTR30	NUTR30	NUTR 30 A	NURT30R	NUTR206/3AS	NUTR 30	MCYRD30	MUTD30	NUTD 30
NUTR3072	NUTR3072	NUTR 3072 A	NURT30-1R	NUTR306/3AS	NUTR 3072		MUTD30-1	NUTD 3072
NUTR35	NUTR35	NUTR 35 A	NURT35R	NUTR207/3AS	NUTR 35	MCYRD35	MUTD35	NUTD 35
NUTR3580	NUTR3580	NUTR 3580 A	NURT35-1R	NUTR307/3AS	NUTR 3580		MUTD35-1	NUTD 3580
NUTR40	NUTR40	NUTR 40 A	NURT40R	NUTR208/3AS	NUTR 40	MCYRD40	MUTD40	NUTD 40
NUTR4090	NUTR4090	NUTR 4090 A	NURT40-1R	NUTR308/3AS	NUTR 4090		MUTD40-1	NUTD 4090
NUTR45	NUTR45	NUTR 45 A	NURT45R	NUTR209/3AS	NUTR 45	MCYRD45	MUTD45	NUTD 45
NUTR45100	NUTR45100	NUTR 45100 A	NURT45-1R	NUTR309/3AS	NUTR 45100		MUTD45-1	NUTD 45100
NUTR50	NUTR50	NUTR 50 A	NURT50R	NUTR210/3AS	NUTR 50	MCYRD50	MUTD50	NUTD 50
NUTR50110	NUTR50110	NUTR 50110 A	NURT50-1R	NUTR310/3AS	NUTR 50110		MUTD50-1	NUTD 50110

Cylindrical OD

C&H	INA · CR	SKF	IKO · THK	NTN	Koyo · Torrington	McGill	Smith	FAG (old)
NUTR15X	NUTR15X	NUTR 15 X	NURT15	NUTR202X/3AS	NUTR 15 DZ	MCYRD15X	MUTD15C	NUTD 15 DZ
NUTR1542X	NUTR1542X	NUTR 1542 X	NURT15-1	NUTR303X/3AS	NUTR 1542 DZ		MUTD15-1C	NUTD 1542 DZ
NUTR17X	NUTR17X	NUTR 17 X	NURT17	NUTR203X/3AS	NUTR 17 DZ	MCYRD17X	MUTD17C	NUTD 17 DZ
NUTR1747X	NUTR1747X	NUTR 1747 X	NURT17-1	NUTR303X/3AS	NUTR 1747 DZ		MUTD17-1C	NUTD 1747 DZ
NUTR20X	NUTR20X	NUTR 20 X	NURT20	NUTR204X/3AS	NUTR 20 DZ	MCYRD20X	MUTD20C	NUTD 20 DZ
NUTR2052X	NUTR2052X	NUTR 2052 X	NURT20-1	NUTR304X/3AS	NUTR 2052 DZ		MUTD20-1C	NUTD 2052 DZ
NUTR25X	NUTR25X	NUTR 25 X	NURT25	NUTR205X/3AS	NUTR 25 DZ	MCYRD25X	MUTD25C	NUTD 25 DZ
NUTR2562X	NUTR2562X	NUTR 2562 X	NURT25-1	NUTR305X/3AS	NUTR 2562 DZ		MUTD25-1C	NUTD 2562 DZ
NUTR30X	NUTR30X	NUTR 30 X	NURT30	NUTR206X/3AS	NUTR 30 DZ	MCYRD30X	MUTD30C	NUTD 30 DZ
NUTR3072X	NUTR3072X	NUTR 3072 X	NURT30-1	NUTR306X/3AS	NUTR 3072 DZ		MUTD30-1C	NUTD 3072 DZ
NUTR35X	NUTR35X	NUTR 35 X	NURT35	NUTR207X/3AS	NUTR 35 DZ	MCYRD35X	MUTD35C	NUTD 35 DZ
NUTR3580X	NUTR3580X	NUTR 3580 X	NURT35-1	NUTR307X/3AS	NUTR 3580 DZ		MUTD35-1C	NUTD 3580 DZ
NUTR40X	NUTR40X	NUTR 40 X	NURT40	NUTR208X/3AS	NUTR 40 DZ	MCYRD40X	MUTD40C	NUTD 40 DZ
NUTR4090X	NUTR4090X	NUTR 4090 X	NURT40-1	NUTR308X/3AS	NUTR 4090 DZ		MUTD40-1C	NUTD 4090 DZ
NUTR45X	NUTR45X	NUTR 45 X	NURT45	NUTR209X/3AS	NUTR 45 DZ	MCYRD45X	MUTD45C	NUTD 45 DZ
NUTR45100X	NUTR45100X	NUTR 45100 X	NURT45-1	NUTR309X/3AS	NUTR 45100 DZ		MUTD45-1C	NUTD 45100 DZ
NUTR50X	NUTR50X	NUTR 50 X	NURT50	NUTR210X/3AS	NUTR 50 DZ	MCYRD50X	MUTD50C	NUTD 50 DZ
NUTR50110X	NUTR50110X	NUTR 50110 X	NURT50-1	NUTR310X/3AS	NUTR 50110 DZ		MUTD50-1C	NUTD 50110 DZ

Shanghai Chenghui (C&H) Bearing Co., Ltd

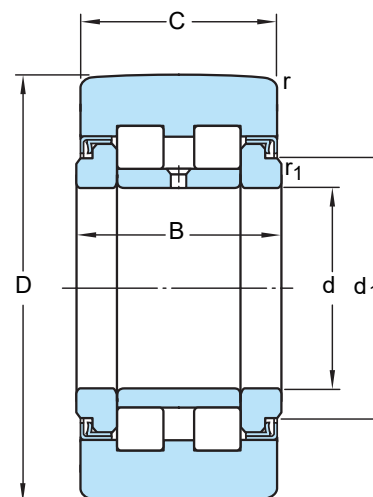
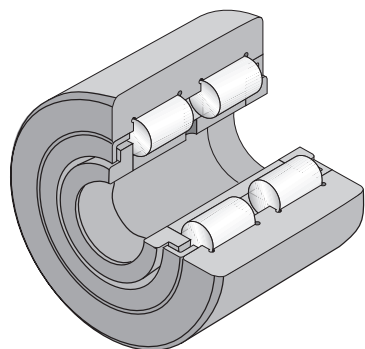
2-1709, No 289, Zheqiao Road, Pudong, Shanghai, China

Tel: +86 (0) 21 5835 6710 Fax: +86 (0) 21 5835 6720

E-mail: jason@chenghuibearing.com / www.chenghuibearing.com

Yoke type track rollers-PWTR

full complement cylindrical roller set, with inner ring, lip seals on both sides



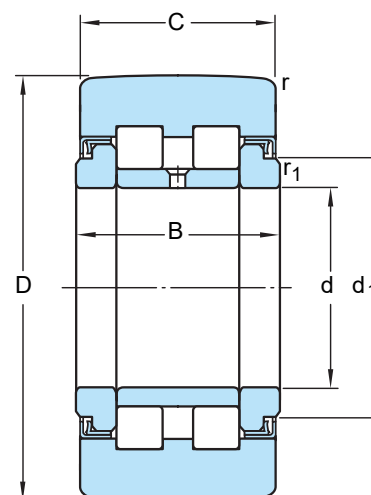
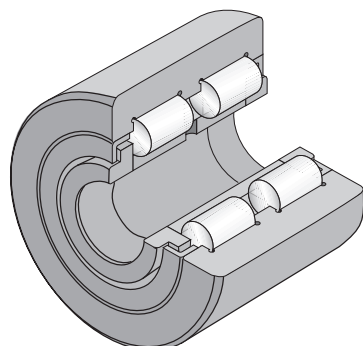
Part Number	Dimensions								Basic load rating		Fatigue load limit	Maximum radial load		Limiting speed	Mass
	D	d	B	C	d ₁	F	r _{min}	r _{1 min}	C	C ₀	P _u	F _r	F _{0r}	nD G	m
	mm								kN					r/min	kg
PWTR15-2RS	35	15	19	18	20	19	0.6	0.3	11.9	11.4	1.2	8.65	12.5	6000	0.099
PWTR1542-2RS	42	15	19	18	20	21.5	0.6	0.3	14.2	15	1.6	22	31.5	5000	0.158
PWTR17-2RS	40	17	21	20	22	19	1	0.5	13.8	14.3	1.5	13.7	19.6	6000	0.147
PWTR1747-2RS	47	17	21	20	22	21.5	1	0.5	15.7	17.6	1.86	30	42.5	5000	0.22
PWTR20-2RS	47	20	25	24	27	25.5	1	0.5	22.9	24.5	2.8	18.3	26	3800	0.245
PWTR2052-2RS	52	20	25	24	27	25.5	1	0.5	25.5	29	3.35	30.5	44	3800	0.321
PWTR25-2RS	52	25	25	24	31	30	1	0.5	23.8	26.5	3.05	18.6	26.5	3800	0.281
PWTR2562-2RS	62	25	25	24	31	30	1	0.5	29.2	36	4.05	45	64	3800	0.45
PWTR30-2RS	62	30	29	28	38	35	1	0.5	31.9	32.5	4.05	20.4	29	2200	0.465
PWTR3072-2RS	72	30	29	28	38	35	1	0.5	39.6	45	5.6	47.5	68	2200	0.697
PWTR35-2RS	72	35	29	28	44	41.5	1.1	0.6	35.8	40.5	5	28	40	1800	0.63
PWTR3580-2RS	80	35	29	28	44	41.5	1.1	0.6	41.8	50	6.3	51	72	1800	0.836
PWTR40-2RS	80	40	32	30	51	47.5	1.1	0.6	41.8	49	6	33.5	48	1500	0.816
PWTR4090-2RS	90	40	32	30	51	47.5	1.1	0.6	49.5	62	7.65	64	91.5	1300	1.129
PWTR45-2RS	85	45	32	30	55	52.5	1.1	0.6	42.9	50	6.2	34	48	1500	0.883
PWTR45100-2RS	100	45	32	30	55	52.5	1.1	0.6	53.9	69.5	8.65	81.5	116	1100	1.396
PWTR50-2RS	90	50	32	30	60	57	1.1	0.6	42.9	52	6.55	34.5	49	1300	0.95
PWTR50110-2RS	110	50	32	30	60	57	1.1	0.6	57.2	78	9.65	100	143	1100	1.69

C&H	INA	SKF · CR	C&H	INA
PWTR15-2RS	PWTR 15-2RS-XL	PWTR15-2RS	PWTR15-2RS-RR-XL	PWTR15-2RS-RR-XL
PWTR1542-2RS	PWTR 1542-2RS-XL	PWTR1542-2RS	PWTR1542-2RS-RR-XL	PWTR1542-2RS-RR-XL
PWTR17-2RS	PWTR 17-2RS-XL	PWTR17-2RS	PWTR17-2RS-RR-XL	PWTR17-2RS-RR-XL
PWTR1747-2RS	PWTR 1747-2RS-XL	PWTR1747-2RS	PWTR1747-2RS-RR-XL	PWTR1747-2RS-RR-XL
PWTR20-2RS	PWTR 20-2RS-XL	PWTR20-2RS	PWTR20-2RS-RR-XL	PWTR20-2RS-RR-XL
PWTR2052-2RS	PWTR 2052-2RS-XL	PWTR2052-2RS	PWTR2052-2RS-RR-XL	PWTR2052-2RS-RR-XL
PWTR25-2RS	PWTR 25-2RS-XL	PWTR25-2RS	PWTR25-2RS-RR-XL	PWTR25-2RS-RR-XL
PWTR2562-2RS	PWTR 2562-2RS-XL	PWTR2562-2RS	PWTR2562-2RS-RR-XL	PWTR2562-2RS-RR-XL
PWTR30-2RS	PWTR 30-2RS-XL	PWTR30-2RS	PWTR30-2RS-RR-XL	PWTR30-2RS-RR-XL
PWTR3072-2RS	PWTR 3072-2RS-XL	PWTR3072-2RS	PWTR3072-2RS-RR-XL	PWTR3072-2RS-RR-XL
PWTR35-2RS	PWTR 35-2RS-XL	PWTR35-2RS	PWTR35-2RS-RR-XL	PWTR35-2RS-RR-XL
PWTR3580-2RS	PWTR 3580-2RS-XL	PWTR3580-2RS	PWTR3580-2RS-RR-XL	PWTR3580-2RS-RR-XL
PWTR40-2RS	PWTR 40-2RS-XL	PWTR40-2RS	PWTR40-2RS-RR-XL	PWTR40-2RS-RR-XL
PWTR4090-2RS	PWTR 4090-2RS-XL	PWTR4090-2RS	PWTR4090-2RS-RR-XL	PWTR4090-2RS-RR-XL
PWTR45-2RS	PWTR 45-2RS-XL	PWTR45-2RS	PWTR45-2RS-RR-XL	PWTR45-2RS-RR-XL
PWTR45100-2RS	PWTR 45100-2RS-XL	PWTR45100-2RS	PWTR45100-2RS-RR-XL	PWTR45100-2RS-RR-XL
PWTR50-2RS	PWTR 50-2RS-XL	PWTR50-2RS	PWTR50-2RS-RR-XL	PWTR50-2RS-RR-XL
PWTR50110-2RS	PWTR 50110-2RS-XL	PWTR50110-2RS	PWTR50110-2RS-RR-XL	PWTR50110-2RS-RR-XL

*RR-special coating for corrosion resistance

Yoke type track rollers-NNTR

Full complement cylindrical roller set, with inner ring, central rib, sealing shields with lamellar ring on both sides



Part Number	Dimensions								Basic load rating		Fatigue load limit	Maximum radial load		Limiting speed	Dia. Oil hole	Num. of oil holes	Radius of outer ring outside profile	Mass
	d	D	B	C	d ₁	D ₁	r _{min}	r _{1 min}	C	C ₀	P _u	F _r	F _{or}	nD G	d ₃		R	m
	mm								kN					r/min			mm	kg
NNTR50X130X65-2ZL	50	130	65	63	63	80	3	2	193	265	37	265	265	1100	3	3	10000	5.2
NNTR55X140X70-2ZL	55	140	70	68	73	91	3	2	226	315	44	280	315	850	4	3	10000	6.4
NNTR60X150X75-2ZL	60	150	75	73	78	97	3	2	255	365	53	330	365	800	4	3	10000	7.8
NNTR65X160X75-2ZL	65	160	75	73	82	103	3	2	280	395	56	350	395	700	5	3	10000	8.8
NNTR70X180X85-2ZL	70	180	85	83	92	115	3	2	355	510	75	465	510	600	5	3	10000	13
NNTR80X200X90-2ZL	80	200	90	88	102	127	4	2	415	610	87	550	610	500	5	3	10000	16.8
NNTR90X220X100-2ZL	90	220	100	98	119	146	4	2.5	500	750	104	600	750	400	5	3	10000	22.5
NNTR100X240X105-2ZL	100	240	105	103	132	160	4	2.5	560	870	118	710	870	340	6	6	10000	28
NNTR110X260X115-2ZL	110	260	115	113	143	174	4	2.5	670	1050	143	820	1050	300	6	6	10000	35.6
NNTR120X290X135-2ZL	120	290	135	133	155	191	4	3	880	1400	187	1110	1400	260	8	6	15000	52.8
NNTR130X310X146-2ZL	130	310	146	144	165	204	5	3	1010	1630	216	1280	1630	240	8	6	15000	65.2
NNTR140X340X162-2ZL	140	340	162	160	186	228	4	4	1200	1970	265	1450	1970	200	8	6	15000	87.2
NNTR150X360X173-2ZL	150	360	173	171	185	-	-	-	1370	2170	282	1810	2950	180	8	8	15000	104

1. Material:

- Outer ring - 16NiCr4 (1.5714), casehardened, surface hardness 60 ± 2 HRC
- Inner ring - 16NiCr4 (1.5714), casehardened, surface hardness 60 ± 2 HRC
- Thrust washer - 18NiCrMo5(1.6566), casehardened, surface hardness 60 ± 2 HRC
- Spacers - 100Cr6, hardened, surface hardness 60 ± 2 HRC
- Rollers - 100Cr6, hardened, surface hardness 60 ± 2 HRC

2. Tolerance and Clearance are in accordance with DIN620.

3. Load ratings are in accordance with ISO76 and ISO281.

C&H	INA	SKF	CR
NNTR50X130X65-2ZL	NNTR50X130X65-2ZL	NNTR 50x130x65.2ZL	RSU 50-130
NNTR55X140X70-2ZL	NNTR55X140X70-2ZL	NNTR 60x150x75.2ZL	RSU 55-140
NNTR60X150X75-2ZL	NNTR60X150X75-2ZL	NNTR 80x200x90.2ZL	RSU 60-150
NNTR65X160X75-2ZL	NNTR65X160X75-2ZL	NNTR 70x180x85.2ZL	RSU 65-160
NNTR70X180X85-2ZL	NNTR70X180X85-2ZL	NNTR 65x160x75.2ZL	RSU 70-180
NNTR80X200X90-2ZL	NNTR80X200X90-2ZL	NNTR 90x220x100.2ZL	RSU 80-200
NNTR90X220X100-2ZL	NNTR90X220X100-2ZL	NNTR 100x240x105.2ZL	RSU 90-220
NNTR100X240X105-2ZL	NNTR100X240X105-2ZL	NNTR 120x290x135.2ZL	RSU 100-240
NNTR110X260X115-2ZL	NNTR110X260X115-2ZL	NNTR 55x140x70.2ZL	RSU 110-260
NNTR120X290X135-2ZL	NNTR120X290X135-2ZL	NNTR 110x260x115.2ZL	RSU 120-290
NNTR130X310X146-2ZL	NNTR130X310X146-2ZL	NNTR 130x310x146.2ZL	RSU 130-310
NNTR140X340X162-2ZL	NNTR140X340X162-2ZL	-	RSU 140-340
NNTR150X360X173-2ZL	NNTR150X360X173-2ZL	-	RSU 150-360

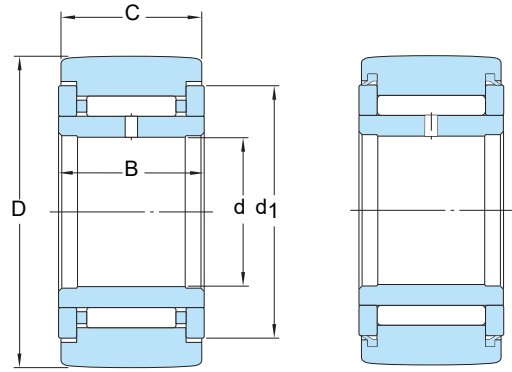
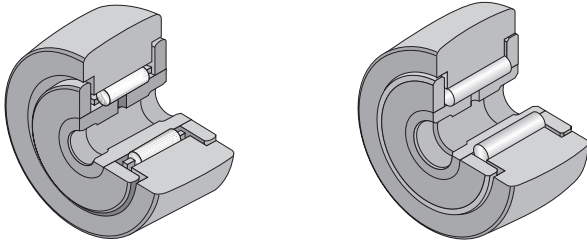
Yoke type track rollers-CYR



C&H
BEARING

with inner ring and axial plain washer

D 0.75 – 10 inch



Part Number			Dimensions								Oil hole dia	Basic load rating		Limiting speed	Mass	Recommended Shaft Diameters				Radius of outer ring outside profile
Cylindrical OD w/o seals	Cylindrical OD with seals	Crowned OD with seals	D		d		C	B	d1	r _{min}	d3	C	C ₀	nD G	m	Push Fit	Drive Fit	Press Fit		R
			+0.000 -0.001 inch	Nom.	Tol.	+0.000 -0.005	+0.005 -0.01		for cyl. OD	ref.	lbs		1/min	lb	Nom	Nom	Nom	Tol	for crowned OD	
CYR 3/4	CYR 3/4 S	CCYR 3/4 S	0.75	0.25	+0.002 -0.004	0.5	0.5625	12.5	0.02	0.09	1660	4130	6400	0.06	0.2495	0.2501	0.2503		10	
CYR 7/8	CYR 7/8 S	CCYR 7/8 S	0.875	0.25		0.5	0.5625	12.5	0.02	0.09	1660	4130	5400	0.08	0.2495	0.2501	0.2503		10	
CYR 1	CYR 1 S	CCYR 1 S	1	0.3125		0.625	0.6875	15	0.03	0.09	2225	6120	4800	0.15	0.312	0.3126	0.3128		12	
CYR 1 1/8	CYR 1 1/8 S	CCYR 1 1/8 S	1.125	0.3125		0.625	0.6875	15	0.03	0.09	2225	6120	3400	0.17	0.312	0.3126	0.3128		12	
CYR 1 1/4	CYR 1 1/4 S	CCYR 1 1/4 S	1.25	0.375		0.75	0.8125	19	0.03	0.09	3930	8500	3100	0.24	0.3745	0.3751	0.3753		14	
CYR 1 3/8	CYR 1 3/8 S	CCYR 1 3/8 S	1.375	0.375		0.75	0.8125	19	0.05	0.09	3930	8500	2800	0.3	0.3745	0.3751	0.3753		14	
CYR 1 1/2	CYR 1 1/2 S	CCYR 1 1/2 S	1.5	0.4375		0.875	0.9375	23	0.06	0.09	4840	11280	2500	0.41	0.437	0.4376	0.4378		20	
CYR 1 5/8	CYR 1 5/8 S	CCYR 1 5/8 S	1.625	0.4375		0.875	0.9375	23	0.06	0.09	4840	11280	2350	0.5	0.437	0.4376	0.4378		20	
CYR 1 3/4	CYR 1 3/4 S	CCYR 1 3/4 S	1.75	0.5		1	1.0625	25	0.06	0.09	6385	15840	2200	0.64	0.4995	0.5001	0.5005		20	
CYR 1 7/8	CYR 1 7/8 S	CCYR 1 7/8 S	1.875	0.5		1	1.0625	25	0.06	0.09	6385	15840	2000	0.8	0.4995	0.5001	0.5005		20	
CYR 2	CYR 2 S	CCYR 2 S	2	0.625	1.25	1.3125	27.6	0.09	0.13	8090	21140	1400	1.05	0.6245	0.6245	0.6245		24		
CYR 2 1/4	CYR 2 1/4 S	CCYR 2 1/4 S	2.25	0.625	1.25	1.3125	27.6	0.09	0.13	8090	21140	1300	1.32	0.6245	0.6251	0.6255		24		
CYR 2 1/2	CYR 2 1/2 S	CCYR 2 1/2 S	2.5	0.75	1.5	1.5625	31.5	0.09	0.13	11720	32900	1100	1.8	0.7495	0.7501	0.75015		30		
CYR 2 3/4	CYR 2 3/4 S	CCYR 2 3/4 S	2.75	0.75	1.5	1.5625	31.5	0.09	0.13	11720	32900	1050	2.25	0.7495	0.7501	0.75015		30		
CYR 3	CYR 3 S	CCYR 3 S	3	1	1.75	1.8125	36.5	0.13	0.13	15720	49820	950	3.1	0.9994	1.0002	1.0006		30		
CYR 3 1/4	CYR 3 1/4 S	CCYR 3 1/4 S	3.25	1	1.75	1.8125	36.5	0.13	0.13	15720	49820	880	3.62	0.9994	1.0002	1.0006		30		
CYR 3 1/2	CYR 3 1/2 S	CCYR 3 1/2 S	3.5	1.125	2	2.0625	41.5	0.13	0.13	22800	63250	820	4.95	1.1244	1.1252	1.1256		30		
CYR 4	CYR 4 S	CCYR 4 S	4	1.25	2.25	2.3125	41.5	0.13	0.13	29985	89540	700	7.05	1.2494	1.2502	1.2506		30		
-	CYR 5 S	CCYR 5 S	5	1.75	2.75	2.875	51	0.13	0.19	46575	135900	575	14.34	1.7494	1.7502	1.7506		48		
-	CYR 6 S	CCYR 6 S	6	2.25	3.25	3.375	51	0.13	0.19	60000	160900	475	20.16	2.2494	2.2502	2.2506		56		
-	CYR 7 S	CCYR 7 S	7	2.75	3.75	3.875	58	0.13	0.19	75380	213860	400	32.43	2.7494	2.7502	2.7506		60		
-	CYR 8 S	CCYR 8 S	8	3.255	4.25	4.5	58	0.22	0.25	92200	288200	350	47.3	3.2545	3.256	3.2565		40		
-	CYR 9 S	CCYR 9 S	9	3.755	4.75	5	66	0.25	0.31	113260	366850	300	65.7	3.7545	3.756	3.7565		40		
-	CYR 10 S	CCYR 10 S	10	4.255	5.25	5.5	66	0.28	0.38	131545	431130	275	89.2	4.2545	4.256	4.2565		40		

Note: Available X105CrMo17/1.4125/440 or X20Cr13/1.4021/420 stainless steel.

Interchange

Features	C&H	McGill	Smith	Torrington NSK	RBC	INA	IKOTHK	NTN
Cylindrical OD, without seal	CYR	CYR	YR	YCR	Y	RF	CRY..V	NACV..X/3AS
Cylindrical OD, with seal	CYR..S	CYR..S	YR..X	YCRS	Y..L	RF..PP	CRY..VUU	NACV..XLL/3AS
Crowned OD, without seal	CCYR	CCYR	YR..C	YCRC	CY	RF..Y	CRY..VR	NACV..J/3AS
Crowned OD, with seal	CCYR..S	CCYR..S	YR..XC	YCRSC	CY...L	PF..PPY	CRY..VUUR	NACV..LL/3AS
Stainless steel, Cylindrical, with seal	CYR..S-CR	CYR..S-CR	YR..X-SS	-	-	-	-	-

Interchange of CYR, CYR..S



Inch W/O Cage With Inner Ring Cylindrical OD W/O Seals 52100 Steel

C&H	McGill	Smith	Torrington NSK	RBC	INA	IKO	NTN
CYR 3/4	CYR- 3/4	YR- 3/4	YCR-12	Y24	RF-12	CRY12 V	NACV12X/3AS
CYR 7/8	CYR- 7/8	YR- 7/8	YCR-14	Y28	RF-14	CRY14 V	NACV14X/3AS
CYR 1	CYR-1	YR-1	YCR-16	Y32	RF-16	CRY16 V	NACV16X/3AS
CYR 1 1/8	CYR-1 1/8	YR-1 1/8	YCR-18	Y36	RF-18	CRY18 V	NACV18X/3AS
CYR 1 1/4	CYR-1 1/4	YR-1 1/4	YCR-20	Y40	RF-20	CRY20 V	NACV20X/3AS
CYR 1 3/8	CYR-1 3/8	YR-1 3/8	YCR-22	Y44	RF-22	CRY22 V	NACV22X/3AS
CYR 1 1/2	CYR-1 1/2	YR-1 1/2	YCR-24	Y48	RF-24	CRY24 V	NACV24X/3AS
CYR 1 5/8	CYR-1 5/8	YR-1 5/8	YCR-26	Y52	RF-26	CRY26 V	NACV26X/3AS
CYR 1 3/4	CYR-1 3/4	YR-1 3/4	YCR-28	Y56	RF-28	CRY28 V	NACV28X/3AS
CYR 1 7/8	CYR-1 7/8	YR-1 7/8	YCR-30	Y60	RF-30	CRY30 V	NACV30X/3AS
CYR 2	CYR-2	YR-2	YCR-32	Y64	RF-32	CRY32 V	NACV32X/3AS
CYR 2 1/4	CYR-2 1/4	YR-2 1/4	YCR-36	Y72	RF-36	CRY36 V	NACV36X/3AS
CYR 2 1/2	CYR-2 1/2	YR-2 1/2	YCR-40	Y80	RF-40	CRY40 V	NACV40X/3AS
CYR 2 3/4	CYR-2 3/4	YR-2 3/4	YCR-44	Y88	RF-44	CRY44 V	NACV44X/3AS
CYR 3	CYR-3	YR-3	YCR-48	Y96	RF-48	CRY48 V	NACV48X/3AS
CYR 3 1/4	CYR-3 1/4	YR-3 1/4	YCR-52	Y104	RF-52	CRY52 V	NACV52X/3AS
CYR 3 1/2	CYR-3 1/2	YR-3 1/2	YCR-56	Y112	RF-56	CRY56 V	NACV56X/3AS
CYR 4	CYR-4	YR-4	YCR-64	Y128	RF-64	CRY64 V	NACV64X/3AS
CYR 5				Y160	RF-80		NACV80X/3AS
CYR 6				Y192	RF-96		NACV96X/3AS
CYR 7				Y224			

Inch W/O Cage With Inner Ring Cylindrical OD With Seals 52100 Steel

C&H	McGill	Smith	Torrington NSK	RBC	INA	IKO	NTN
CYR 3/4 S	CYR 3/4 S	YR-3/4X	YCRS-12	Y24L	RF-12-PP	CRY12 VUU	NACV12XLL/3AS
CYR 7/8 S	CYR 7/8 S	YR-7/8X	YCRS-14	Y28L	RF-14-PP	CRY14 VUU	NACV14XLL/3AS
CYR 1 S	CYR 1 S	YR-1X	YCRS-16	Y32L	RF-16-PP	CRY16 VUU	NACV16XLL/3AS
CYR 1 1/8 S	CYR 1 1/8 S	YR-1 1/8X	YCRS-18	Y36L	RF-18-PP	CRY18 VUU	NACV18XLL/3AS
CYR 1 1/4 S	CYR 1 1/4 S	YR-1 1/4X	YCRS-20	Y40L	RF-20-PP	CRY20 VUU	NACV20XLL/3AS
CYR 1 3/8 S	CYR 1 3/8 S	YR-1 3/8X	YCRS-22	Y44L	RF-22-PP	CRY22 VUU	NACV22XLL/3AS
CYR 1 1/2 S	CYR 1 1/2 S	YR-1 1/2X	YCRS-24	Y48L	RF-24-PP	CRY24 VUU	NACV24XLL/3AS
CYR 1 5/8 S	CYR 1 5/8 S	YR-1 5/8X	YCRS-26	Y52L	RF-26-PP	CRY26 VUU	NACV26XLL/3AS
CYR 1 3/4 S	CYR 1 3/4 S	YR-1 3/4X	YCRS-28	Y56L	RF-28-PP	CRY28 VUU	NACV28XLL/3AS
CYR 1 7/8 S	CYR 1 7/8 S	YR-1 7/8X	YCRS-30	Y60L	RF-30-PP	CRY30 VUU	NACV30XLL/3AS
CYR 2 S	CYR 2 S	YR-2X	YCRS-32	Y64L	RF-32-PP	CRY32 VUU	NACV32XLL/3AS
CYR 2 1/4 S	CYR 2 1/4 S	YR-2 1/4X	YCRS-36	Y72L	RF-36-PP	CRY36 VUU	NACV36XLL/3AS
CYR 2 1/2 S	CYR 2 1/2 S	YR-2 1/2X	YCRS-40	Y80L	RF-40-PP	CRY40 VUU	NACV40XLL/3AS
CYR 2 3/4 S	CYR 2 3/4 S	YR-2 3/4X	YCRS-44	Y88L	RF-44-PP	CRY44 VUU	NACV44XLL/3AS
CYR 3 S	CYR 3 S	YR-3X	YCRS-48	Y96L	RF-48-PP	CRY48 VUU	NACV48XLL/3AS
CYR 3 1/4 S	CYR 3 1/4 S	YR-3 1/4X	YCRS-52	Y104L	RF-52-PP	CRY52 VUU	NACV52XLL/3AS
CYR 3 1/2 S	CYR 3 1/2 S	YR-3 1/2X	YCRS-56	Y112L	RF-56-PP	CRY56 VUU	NACV56XLL/3AS
CYR 4 S	CYR 4 S	YR-4X	YCRS-64	Y128L	RF-64-PP	CRY64 VUU	NACV64XLL/3AS
CYR 5 S	CYR 5 S	YR-5X	YCRS-80	Y160L	RF-80-PP		NACV80XLL/3AS
CYR 6 S	CYR 6 S	YR-6X	YCRS-96	Y192L	RF-96-PP		NACV96XLL/3AS
CYR 7 S	CYR 7 S		YCRS-112	Y224L			
CYR 8 S	CYR 8 S						
CYR 9 S	CYR 9 S						
CYR 10 S	CYR 10 S						

Interchange of CCYR, CCYR..S



Inch	W/O Cage	With Inner Ring	Crowned OD	W/O Seals	52100 Steel		
C&H	McGill	Smith	Torrington NSK	RBC	INA	IKO	NTN
CCYR 3/4	CCYR 3/4	YR-3/4C	YCRC-12	CY24	RF-12-Y	CRY12 VR	NACV12/3AS
CCYR 7/8	CCYR 7/8	YR-7/8C	YCRC-14	CY28	RF-14-Y	CRY14 VR	NACV14/3AS
CCYR 1	CCYR 1	YR-1C	YCRC-16	CY32	RF-16-Y	CRY16 VR	NACV16/3AS
CCYR 1 1/8	CCYR 1 1/8	YR-1 1/8C	YCRC-18	CY36	RF-18-Y	CRY18 VR	NACV18/3AS
CCYR 1 1/4	CCYR 1 1/4	YR-1 1/4C	YCRC-20	CY40	RF-20-Y	CRY20 VR	NACV20/3AS
CCYR 1 3/8	CCYR 1 3/8	YR-1 3/8C	YCRC-22	CY44	RF-22-Y	CRY22 VR	NACV22/3AS
CCYR 1 1/2	CCYR 1 1/2	YR-1 1/2C	YCRC-24	CY48	RF-24-Y	CRY24 VR	NACV24/3AS
CCYR 1 5/8	CCYR 1 5/8	YR-1 5/8C	YCRC-26	CY52	RF-26-Y	CRY26 VR	NACV26/3AS
CCYR 1 3/4	CCYR 1 3/4	YR-1 3/4C	YCRC-28	CY56	RF-28-Y	CRY28 VR	NACV28/3AS
CCYR 1 7/8	CCYR 1 7/8	YR-1 7/8C	YCRC-30	CY60	RF-30-Y	CRY30 VR	NACV30/3AS
CCYR 2	CCYR 2	YR-2C	YCRC-32	CY64	RF-32-Y	CRY32 VR	NACV32/3AS
CCYR 2 1/4	CCYR 2 1/4	YR-2 1/4C	YCRC-36	CY72	RF-36-Y	CRY36 VR	NACV36/3AS
CCYR 2 1/2	CCYR 2 1/2	YR-2 1/2C	YCRC-40	CY80	RF-40-Y	CRY40 VR	NACV40/3AS
CCYR 2 3/4	CCYR 2 3/4	YR-2 3/4C	YCRC-44	CY88	RF-44-Y	CRY44 VR	NACV44/3AS
CCYR 3	CCYR 3	YR-3C	YCRC-48	CY96	RF-48-Y	CRY48 VR	NACV48/3AS
CCYR 3 1/4	CCYR 3 1/4	YR-3 1/4C	YCRC-52	CY104	RF-52-Y	CRY52 VR	NACV52/3AS
CCYR 3 1/2	CCYR 3 1/2	YR-3 1/2C	YCRC-56	CY112	RF-56-Y	CRY56 VR	NACV56/3AS
CCYR 4	CCYR 4	YR-4C	YCRC-64	CY128	RF-64-Y	CRY64 VR	NACV64/3AS
				CY160			NACV80/3AS
				CY192			NACV96/3AS
				CY224			

Inch	Without Cage	With Inner Ring	Crowned OD	With Seals	52100 Steel		
C&H	McGill	Smith	Torrington NSK	RBC	INA	IKO	NTN
CCYR 3/4 S	CCYR 3/4 S	YR-3/4XC	YCRSC-12	CY24L	RF-12-PPY	CRY12 VUUR	NACV12LL/3AS
CCYR 7/8 S	CCYR 7/8 S	YR-7/8XC	YCRSC-14	CY28L	RF-14-PPY	CRY14 VUUR	NACV14LL/3AS
CCYR 1 S	CCYR 1 S	YR-1XC	YCRSC-16	CY32L	RF-16-PPY	CRY16 VUUR	NACV16LL/3AS
CCYR 1 1/8 S	CCYR 1 1/8 S	YR-1 1/8XC	YCRSC-18	CY36L	RF-18-PPY	CRY18 VUUR	NACV18LL/3AS
CCYR 1 1/4 S	CCYR 1 1/4 S	YR-1 1/4XC	YCRSC-20	CY40L	RF-20-PPY	CRY20 VUUR	NACV20LL/3AS
CCYR 1 3/8 S	CCYR 1 3/8 S	YR-1 3/8XC	YCRSC-22	CY44L	RF-22-PPY	CRY22 VUUR	NACV22LL/3AS
CCYR 1 1/2 S	CCYR 1 1/2 S	YR-1 1/2XC	YCRSC-24	CY48L	RF-24-PPY	CRY24 VUUR	NACV24LL/3AS
CCYR 1 5/8 S	CCYR 1 5/8 S	YR-1 5/8XC	YCRSC-26	CY52L	RF-26-PPY	CRY26 VUUR	NACV26LL/3AS
CCYR 1 3/4 S	CCYR 1 3/4 S	YR-1 3/4XC	YCRSC-28	CY56L	RF-28-PPY	CRY28 VUUR	NACV28LL/3AS
CCYR 1 7/8 S	CCYR 1 7/8 S	YR-1 7/8XC	YCRSC-30	CY60L	RF-30-PPY	CRY30 VUUR	NACV30LL/3AS
CCYR 2 S	CCYR 2 S	YR-2XC	YCRSC-32	CY64L	RF-32-PPY	CRY32 VUUR	NACV32LL/3AS
CCYR 2 1/4 S	CCYR 2 1/4 S	YR-2 1/4XC	YCRSC-36	CY72L	RF-36-PPY	CRY36 VUUR	NACV36LL/3AS
CCYR 2 1/2 S	CCYR 2 1/2 S	YR-2 1/2XC	YCRSC-40	CY80L	RF-40-PPY	CRY40 VUUR	NACV40LL/3AS
CCYR 2 3/4 S	CCYR 2 3/4 S	YR-2 3/4XC	YCRSC-44	CY88L	RF-44-PPY	CRY44 VUUR	NACV44LL/3AS
CCYR 3 S	CCYR 3 S	YR-3XC	YCRSC-48	CY96L	RF-48-PPY	CRY48 VUUR	NACV48LL/3AS
CCYR 3 1/4 S	CCYR 3 1/4 S	YR-3 1/4XC	YCRSC-52	CY104L	RF-52-PPY	CRY52 VUUR	NACV52LL/3AS
CCYR 3 1/2 S	CCYR 3 1/2 S	YR-3 1/2XC	YCRSC-56	CY112L	RF-56-PPY	CRY56 VUUR	NACV56LL/3AS
CCYR 4 S	CCYR 4 S	YR-4XC	YCRSC-64	CY128L	RF-64-PPY	CRY64 VUUR	NACV64LL/3AS
CCYR 5 S	CCYR 5 S	YR-5XC	YCRSC-80	CY160L			NACV80LL/3AS
CCYR 6 S	CCYR 6 S	YR-6XC	YCRSC-96	CY192L			NACV96LL/3AS
CCYR 7 S	CCYR 7 S		YCRSC-112	CY224L			
CCYR 8 S	CCYR 8 S						
CCYR 9 S	CCYR 9 S						
CCYR 10 S	CCYR 10 S						

Shanghai Chenghui (C&H) Bearing Co., Ltd

2-1709, No 289, Zheqiao Road, Pudong, Shanghai, China

Tel: +86 (0) 21 5835 6710 Fax: +86 (0) 21 5835 6720

E-mail: jason@chenghuibearing.com / www.chenghuibearing.com

Cam Followers for Pallet Changers

Cam followers are often used on work piece transfer systems (such as pallet changers) of machine tools (such as machining centers) to cope with a greater load exerted onto these systems though the cam followers are actuated less frequently.

C&H offers various types of cam followers that include a ready-to-install cam follower optimized for pallet changers.

1. Structure and features

- The outer ring has a maximum wall thickness to be able to withstand a heavy load or impact load.
- The C&H cam followers for pallet changer is a compact design and can be easily mounted by tightening a setscrew.
- The outer diameter, outer ring width, and stud diameter are identical to those of a catalogued standard cam follower (KR type).
- Because the cam followers for pallet changer is actuated less frequently and does not need lubrication, the oil hole has been deleted.
- Cost reduction is possible by deletion of grease hole and threading on the stud.

2. Constitution of cam follower number

The constitution of cam follower number for pallet changer is same as that of C&H special cam followers.

3 Accuracy

Essentially, the accuracy of C&H cam followers for pallet changer is same as that of C&H standard cam followers (ISO class 0).

4 Fit

The C&H pallet changer cam follower has a special stud that is readily secured with a setscrew. As illustrated below, the pallet changer cam follower is locked in the axial and circumferential directions with a setscrew.

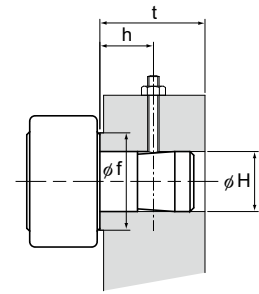
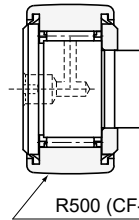
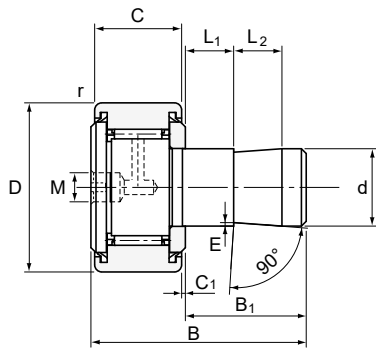
5 Radial internal clearance

The radial clearance of C&H cam followers for pallet changer is same as that of C&H standard cam followers.

6. Lubrication

The C&H cam followers for pallet changer is prefilled with lithium soap-based grease and can be used in a temperature range of -25 to +100°C. Under the assumption that the user does not perform relubrication with grease, the C&H pallet changer cam follower does not have an oil hole for relubrication. (If necessary, the cam follower can be provided with an oil hole or a hole for mounting a grease nipple.) Furthermore, the C&H cam followers for pallet changer can incorporate a synthetic rubber seal.

Lubrication between the outside surface of bearing and track is also necessary. If not, premature wear of the bearing can occur.



Model CF-SFU...R

Designation	Dimensions													Mounting dimensions					Basic load rating, dynamic	Basic load rating, static	Max. static radial loads	Limiting speed, grease	Mass					
	D	Tol.	d	Tol.	B	C	B1	L1	L2	E	C1	M	SW	r	H	Tol.(H7)	t (min.)	f (min.)						h	C	C0	F0r	nD G
	mm																								kN	kN	kN	r/min
CF-SFU-6	16	+0/-0.008	6	0/-0.012	32	11	20	5	10	0.3	0.6	4	3	0.3	6	+0.012/-0	20	11	10	4.05	4.2	1.08	10000	0.019				
CF-SFU-8	19	+0/-0.009	8	0/-0.015	32	11	20	5	10	0.5	0.6	4	4	0.3	8	+0.015/-0	20	13	10	4.75	5.4	1.38	10000	0.0285				
CF-SFU-10	22	+0/-0.009	10	0/-0.015	33	12	20	5	10	0.5	0.6	4	4	0.3	10	+0.015/-0	20	15	10	5.3	6.65	1.69	10000	0.043				
CF-SFU-10-1	26	+0/-0.009	10	0/-0.015	33	12	20	5	10	0.5	0.6	4	4	0.3	10	+0.015/-0	20	15	10	5.3	6.65	2.12	10000	0.0585				
CF-SFU-12	30	+0/-0.009	12	0/-0.018	35	14	20	5	10	1	0.6	6	6	0.6	12	+0.018/-0	20	20	10	7.85	9.65	2.62	10000	0.093				
CF-SFU-12-1	32	+0/-0.011	12	0/-0.018	35	14	20	5	10	1	0.6	6	6	0.6	12	+0.018/-0	20	20	10	7.85	9.65	2.86	10000	0.103				
CF-SFU-16	35	+0/-0.011	16	0/-0.018	44.5	18	25	10	10	1	0.8	6	6	0.6	16	+0.018/-0	25	24	15	12.2	17.9	3.2	8000	0.1635				
CF-SFU-18	40	+0/-0.011	18	0/-0.018	46.5	20	25	10	10	1	0.8	6	8	1	18	+0.021/-0	25	26	15	14	22.8	3.85	7000	0.235				
CF-SFU-20-1	47	+0/-0.011	20	0/-0.021	50.5	24	25	10	10	1	0.8	8	8	1	20	+0.021/-0	25	36	15	20.7	33.5	4.7	6000	0.361				
CF-SFU-20	52	+0/-0.013	20	0/-0.021	50.5	24	25	10	10	1	0.8	8	8	1	20	+0.021/-0	25	36	15	20.7	33.5	5.55	6000	0.436				
CF-SFU-6R	16	+0/-0.05	6	0/-0.012	32	11	20	5	10	0.3	0.6	4	3	0.3	6	+0.012/-0	20	11	10	4.05	4.2	3.4	10000	0.019				
CF-SFU-8R	19	+0/-0.05	8	0/-0.015	32	11	20	5	10	0.5	0.6	4	4	0.3	8	+0.015/-0	20	13	10	4.75	5.4	4.05	10000	0.0285				
CF-SFU-10R	22	+0/-0.05	10	0/-0.015	33	12	20	5	10	0.5	0.6	4	4	0.3	10	+0.015/-0	20	15	10	5.3	6.65	5.15	10000	0.043				
CF-SFU-10-1R	26	+0/-0.05	10	0/-0.015	33	12	20	5	10	0.5	0.6	4	4	0.3	10	+0.015/-0	20	15	10	5.3	6.65	6.1	10000	0.0585				
CF-SFU-12R	30	+0/-0.05	12	0/-0.018	35	14	20	5	10	1	0.6	6	6	0.6	12	+0.018/-0	20	20	10	7.85	9.65	7.7	10000	0.093				
CF-SFU-12-1R	32	+0/-0.05	12	0/-0.018	35	14	20	5	10	1	0.6	6	6	0.6	12	+0.018/-0	20	20	10	7.85	9.65	8.2	10000	0.103				
CF-SFU-16R	35	+0/-0.05	16	0/-0.018	44.5	18	25	10	10	1	0.8	6	6	0.6	16	+0.018/-0	25	24	15	12.2	17.9	11.9	8000	0.1635				
CF-SFU-18R	40	+0/-0.05	18	0/-0.018	46.5	20	25	10	10	1	0.8	6	8	1	18	+0.021/-0	25	26	15	14	22.8	14.5	7000	0.235				
CF-SFU-20-1R	47	+0/-0.05	20	0/-0.021	50.5	24	25	10	10	1	0.8	8	8	1	20	+0.021/-0	25	36	15	20.7	33.5	21	6000	0.361				
CF-SFU-20R	52	+0/-0.05	20	0/-0.021	50.5	24	25	10	10	1	0.8	8	8	1	20	+0.021/-0	25	36	15	20.7	33.5	23.3	6000	0.436				

Interchange

Designation	IKO		THK	NTN
CF-SFU-6	CF-SFU-6	CF-SFU-6B	CF-SFU-6	KRX6×16×32-2/3AS
CF-SFU-8	CF-SFU-8	CF-SFU-8B	CF-SFU-8	KRX8×19×32-7/3AS
CF-SFU-10	CF-SFU-10	CF-SFU-10B	CF-SFU-10	KRX10×22×33-1/3AS
CF-SFU-10-1	CF-SFU-10-1	CF-SFU-10-1B	CF-SFU-10-1	KRX10×26×33-2/3AS
CF-SFU-12	CF-SFU-12	CF-SFU-12B	CF-SFU-12	KRX12×30×35/3AS
CF-SFU-12-1	CF-SFU-12-1	CF-SFU-12-1B	CF-SFU-12-1	KRX12×32×35-1/3AS
CF-SFU-16	CF-SFU-16	CF-SFU-16B	CF-SFU-16	KRX16×35×44.5-3/3AS
CF-SFU-18	CF-SFU-18	CF-SFU-18B	CF-SFU-18	KRX18×40×46.5-4/3AS
CF-SFU-20-1	CF-SFU-20-1	CF-SFU-20-1B	CF-SFU-20-1	KRX20×47×50.5-3/3AS
CF-SFU-20	CF-SFU-20	CF-SFU-20B	CF-SFU-20	KRX20×52×50.5-1/3AS
CF-SFU-6R			CF-SFU-6R	KRX6×16×32-4/3AS
CF-SFU-8R			CF-SFU-8R	KRX8×19×32-9/3AS
CF-SFU-10R			CF-SFU-10R	KRX10×22×33-3/3AS
CF-SFU-10-1R			CF-SFU-10-1R	KRX10×26×33-4/3AS
CF-SFU-12R			CF-SFU-12R	KRX12×30×35-3/3AS
CF-SFU-12-1R			CF-SFU-12-1R	KRX12×32×35-3/3AS
CF-SFU-16R			CF-SFU-16R	KRX16×35×44.5-1/3AS
CF-SFU-18R			CF-SFU-18R	KRX18×40×46.5-6/3AS
CF-SFU-20-1R			CF-SFU-20-1R	KRX20×47×50.5-1/3AS
CF-SFU-20R			CF-SFU-20R	KRX20×52×50.5-3/3AS