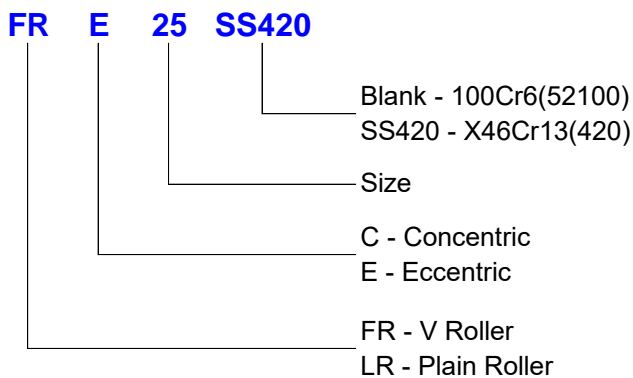


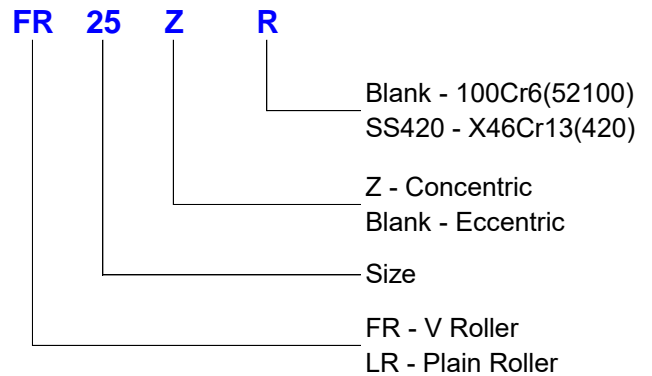
LR.../FR..



C&H Designation



Gudel Designation



◆ **Features**

The backlash setting and the pre-tensioning of the rollers takes place via the eccentric hub of the rollers of the series FRE or LRE. The FRC and LRC series are the concentric models. In the eccentric rollers, the inner bolts are provided with two holes. These allow for the adjustment of the backlash. If a roller is located in its zero position, the teeth backlash will be the standard value of 0.05 mm flank clearance.

The service life of the system will be reduced by excessive tensioning. With too little tension the rollers will not run, or will wear due to the poor meshing.

◆ **Low Friction**

The roller guides have a very low coefficient of friction. This value is slightly increased by the fitting of wipers to the rails.

◆ **Corrosion resistance**

Elements of the series with the suffix ..SS420 are available in stainless steel.(X46Cr13, DIN1.4034, AISI420)

Shanghai chenghui (C&H) Bearing Co.,Ltd

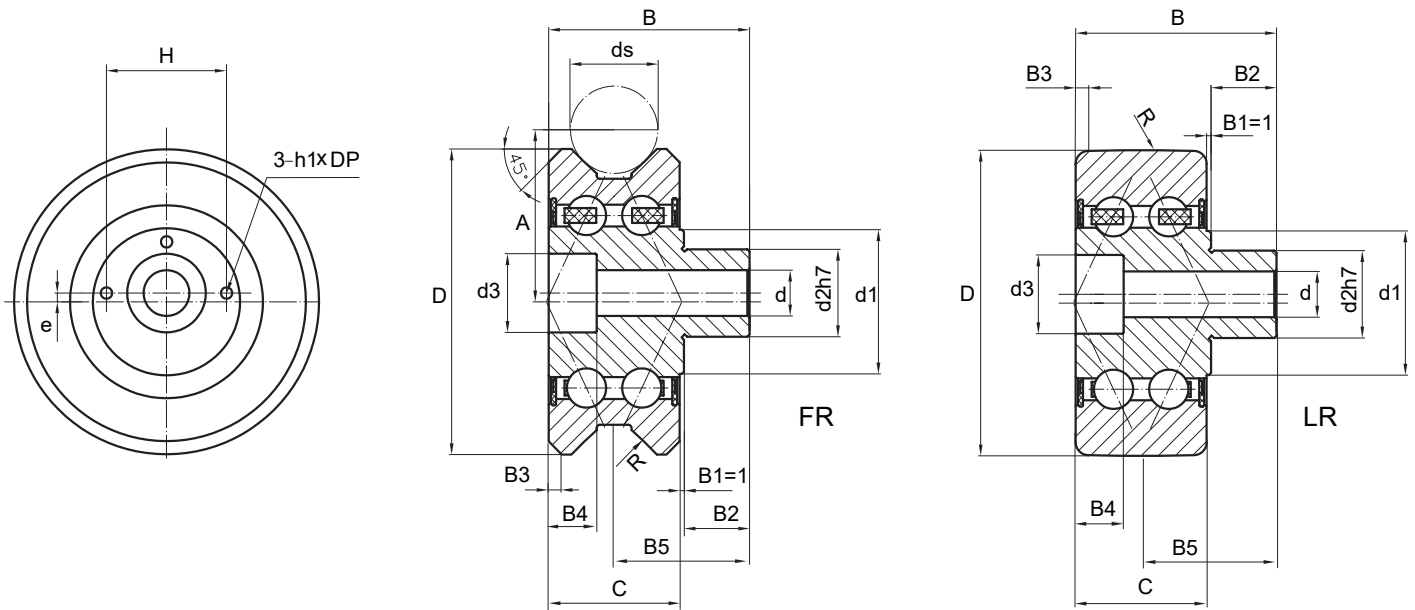
2-1709, No 289, Zheqian Road, Pudong, Shanghai, China

Tel: +86 (0) 21 58356710 Fax: +86 (0) 21 58356720

E-mail: jason@chenghuibearing.com / chenghui-china.com

Roller for Vee Bars & Plain Roller

LR.../FR..



Part Number	Dimensions																	Load Ratings				Limiting speed n_{max}	Mass m	Internal axial clearance Ga	Bolt DIN912 8.8	Torque	Gudel	Gudel Part No.	KH	YYC					
	D	e	B	B1	B2	B3	B4	B5	H	d	d2h7	d1	d3	h1	DP	ds	A	R	C_{0w}	C_{w-6}	C_{w-7}										C_{w-8}	r/min	kg	μm	Nm
	mm																	KN													r/min	kg	μm	Nm	
LR20	72	1	46	1	15	3	11	16	22.5	10.5	20	27.7	16.5	2.6	3	-	-	500	9.5	10.2	5.09	2.2	7000	0.5	+7/+25	M10x50	48	LR20	900820	FR20A	UR20Y				
LR20A	72	1	46	1	15	3	11	16	22.5	10.5	20	27.7	16.5	2.6	3	-	-	500	8.6	9		2	7000	0.5	-3/-5	M10x50	48	LR20A	900821						
LR20Z	72	0	46	1	15	3	11	16	22.5	10.5	20	27.7	16.5	2.6	3	-	-	500	9.5	10.2	5.09	2.2	7000	0.5	+7/+25	M10x50	48	LR20Z	900822	FR20B	UR20N				
LR20SS420	72	1	46	1	15	3	11	16	22.5	10.5	20	27.7	16.5	2.6	3	-	-	500	7.1	7.5	3.55	1.65	7000	0.5	+7/+25	M10x50	48	LR20R	900823						
FR22	70	2	46	1	15	3	11	16	27.5	10.5	20	33	18	2.6	3	20	39.4	300	8.6	9		2	7000	0.6	-3/-5	M10x50	48								
FR22Z	70	0	46	1	15	3	11	16	27.5	10.5	20	33	18	2.6	3	20	39.4	300	8.6	9		2	7000	0.6	-3/-5	M10x50	48								
FR25	77	1	60	1	20	3.5	13	20.5	27.5	13	25	35.6	20.5	4.1	4.5	24	43.42	360	15	16.3	7.56	3.53	5600	1.1	+8/+27	M12x60	83	FR25	900725	VR25A	UV25Y				
FR25A	77	1	60	1	20	3.5	13	20.5	27.5	13	25	35.6	20.5	4.1	4.5	24	43.42	360	13.5	14.7		3.2	5600	1.1	-3/-5	M12x60	83	FR25A	900726						
FR25Z	77	0	60	1	20	3.5	13	20.5	27.5	13	25	35.6	20.5	4.1	4.5	24	43.42	360	15	16.3	7.56	3.53	5600	1.1	+8/+27	M12x60	83	FR25Z	900727	VR25B	UV25N				
FR25ZA	77	0	60	1	20	3.5	13	20.5	27.5	13	25	35.6	20.5	4.1	4.5	24	43.42	360	13.5	14.7		3.2	5600	1.1	-3/-5	M12x60	83	FR25ZA	900729						
FR25SS420	77	1	60	1	20	3.5	13	20.5	27.5	13	25	35.6	20.5	4.1	4.5	24	43.42	360	11	12.45	5.68	2.65	5600	1.1	+8/+27	M12x60	83	FR25R	900728						
LR25	85	1	60	1	20	3.5	13	20.5	27.5	13	25	35.6	20.5	4.1	4.5	-	-	500	15	16.3	8.07	3.53	5600	1.1	+8/+27	M12x60	83	LR25	900825	FR25A	UR25Y				
LR25A	85	1	60	1	20	3.5	13	20.5	27.5	13	25	35.6	20.5	4.1	4.5	-	-	500	13.5	14.7		3.2	5600	1.1	-3/-5	M12x60	83	LR25A	900826						
LR25Z	85	0	60	1	20	3.5	13	20.5	27.5	13	25	35.6	20.5	4.1	4.5	-	-	500	15	16.3	8.07	3.53	5600	1.1	+8/+27	M12x60	83	LR25Z	900827	FR25B	UR25N				
LR25SS420	85	1	60	1	20	3.5	13	20.5	27.5	13	25	35.6	20.5	4.1	4.5	-	-	500	11	12.45	6.06	2.65	5600	1.1	+8/+27	M12x60	83	LR25R	900828						
FR35	107	1	84	1	25	7.5	17.5	30	42	17	40	56.9	28.5	4.1	4.5	35	61.25	500	32	28.4	13.94	6.15	3600	2.8	+11/+33	M16x80	200	FR35	900735	VR35A	UV35Y				
FR35A	107	1	84	1	25	7.5	17.5	30	42	17	40	56.9	28.5	4.1	4.5	35	61.25	500	28.8	25.6		5.5	3600	2.8	-3/-5	M16x80	200	FR35A	900736						
FR35Z	107	0	84	1	25	7.5	17.5	30	42	17	40	56.9	28.5	4.1	4.5	35	61.25	500	32	28.4	13.94	6.15	3600	2.8	+11/+33	M16x80	200	FR35Z	900737	VR35B	UV35N				
FR35ZA	107	0	84	1	25	7.5	17.5	30	42	17	40	56.9	28.5	4.1	4.5	35	61.25	500	28.8	25.6		5.5	3600	2.8	-3/-5	M16x80	200	FR35ZA	900739						
FR35SS420	107	1	84	1	25	7.5	17.5	30	42	17	40	56.9	28.5	4.1	4.5	35	61.25	500	24	21.3	10.43	4.6	3600	2.8	+11/+33	M16x80	200	FR35R	900738						
LR35	100	1	84	1	25	7.5	17.5	30	42	17	40	56.9	28.5	4.1	4.5	-	-	500	32	28.4	14.04	6.15	3600	3	+11/+33	M16x80	200	LR35	900835	FR35A	UR35Y				
LR35A	100	1	84	1	25	7.5	17.5	30	42	17	40	56.9	28.5	4.1	4.5	-	-	500	28.8	25.6		5.5	3600	3	-3/-5	M16x80	200	LR35A	900836						
LR35Z	100	0	84	1	25	7.5	17.5	30	42	17	40	56.9	28.5	4.1	4.5	-	-	500	32	28.4	14.04	6.15	3600	3	+11/+33	M16x80	200	LR35Z	900837	FR35B	UR35N				
LR35SS420	100	1	84	1	25	7.5	17.5	30	42	17	40	56.9	28.5	4.1	4.5	-	-	500	24	21.3	10.5	4.6	3600	3	+11/+33	M16x80	200	LR35R	900838						

Cow : static load rating; Cw-6 : dynamic load rating normal service life 10⁶m distance; Cw-7 : dynamic load rating normal service life 10⁷m distance; Cw-8 : dynamic load rating normal service life 10⁸m distance.
Pre-load internal axial clearance: -3/+5.

Shanghai chenghui (C&H) Bearing Co.,Ltd

2-1709, No 289, Zheqian Road, Pudong, Shanghai, China

Tel: +86 (0) 21 58356710 Fax: +86 (0) 21 58356720

E-mail: jason@chenghuibearing.com / chenghui-china.com