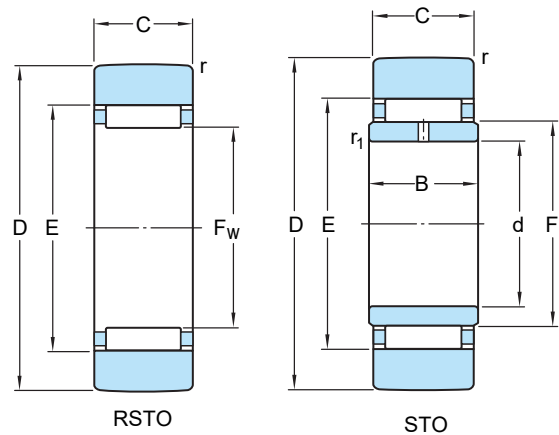
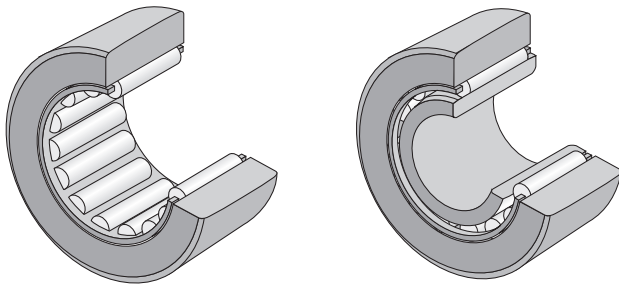


# Yoke type track rollers-RSTO,STO

separable, without axial guidance

D 16 – 90 mm



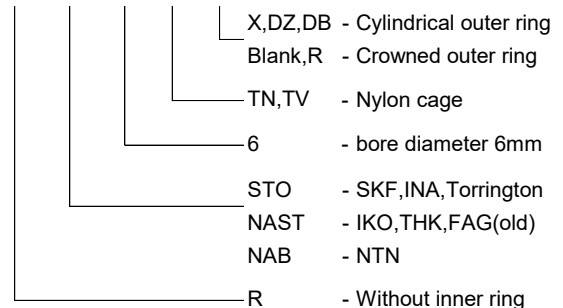
Part Number	Mass m kg	Part Number	Mass m kg	Dimensions							Basic load rating		Fatigue load limit	Maximum radial load		Limiting speed
				D	d	C	B	E	Fw(F)	r <sub>min</sub>	C	C <sub>0</sub>	P <sub>u</sub>	F <sub>r</sub>	F <sub>0r</sub>	r/min
				mm							mm	mm	mm	mm	mm	mm
RSTO5	0.0085	STO5		16	-	7.8	-	10	7	0.3	2.51	2.55	0.27	3.55	5	8000
RSTO6	0.0125	STO6	0.017	19	6	9.8	10	13	10	0.3	3.74	4.5	0.5	4.25	6.1	7000
RSTO8	0.021	STO8	0.026	24	8	9.8	10	15	12	0.3	4.13	5.4	0.6	7.5	10.8	7000
RSTO10	0.042	STO10	0.049	30	10	11.8	12	20	14	0.3	8.25	8.8	1.04	8.5	12.2	5500
RSTO12	0.049	STO12	0.057	32	12	11.8	12	22	16	0.3	8.8	9.8	1.18	8.3	12	4500
RSTO15	0.05	STO15	0.063	35	15	11.8	12	26	20	0.3	9.13	10.6	1.27	7.1	10	3300
RSTO17	0.088	STO17	0.107	40	17	15.8	16	29	22	0.3	14.2	17.6	2.08	12	17.3	2800
RSTO20	0.13	STO20	0.152	47	20	15.8	16	32	25	0.3	16.1	21.2	2.5	18.6	26.5	2400
RSTO25	0.15	STO25	0.177	52	25	15.8	16	37	30	0.3	16.5	22.8	2.7	18	26	1800
RSTO30	0.255	STO30	0.308	62	30	19.8	20	46	38	0.6	22.9	34.5	4.25	23.6	33.5	1300
RSTO35	0.375	STO35	0.441	72	35	19.8	20	50	42	0.6	24.6	39	4.8	36	51	1100
RSTO40	0.42	STO40	0.53	80	40	19.8	20	58	50	1	23.8	39	4.75	34.5	49	850
RSTO45	0.453	STO45	0.576	85	45	19.8	20	63	55	1	25.1	43	5.3	34.5	50	750
RSTO50	0.481	STO50	0.617	90	50	19.8	20	68	60	1	26	45.5	5.7	34.5	50	650

Note: Available X105CrMo17/1.4125/440 or X20Cr13/1.4021/420 stainless steel, size 5,6,8 available with nylon cage suffix "TN"

## Interchange

Maker	Series	Crowned outer ring	Cylindrical inner ring	Nylon cage	Without inner ring
C&H	STO	blank	suffix "X"	suffix "TN"	prefix "R"
SKF	STO	blank	suffix "X"	suffix "TN"	prefix "R"
INA	STO	blank	suffix "X"	suffix "TV"	prefix "R"
FAG	STO	blank	suffix "DZ"	suffix "TV"	prefix "R"
FAG(old)	NAST	DB	blank		prefix "R"
IKO	NAST	R	blank		prefix "R"
THK	NAST	R	blank		prefix "R"
Torrington	STO	blank	suffix "DZ"	suffix "TN"	prefix "R"
Koyo	STO	blank	suffix "DZ"		prefix "R"
NTN	NAB	R	Blank	suffix "T2"	prefix "R"

## R STO 6 TN X



Shanghai Chenghui (C&H) Bearing Co., Ltd

2-1709, No 289, Zheqiao Road, Pudong, Shanghai, China

Tel: +86 (0) 21 5835 6710 Fax: +86 (0) 21 5835 6720

E-mail: jason@chenghuibearing.com / www.chenghuibearing.com

## Crowned, with inner ring

C&H	INA	SKF	Torrington	IKO · THK	NTN
STO6	STO6TV	STO6TN	STO6	NAST6R	NAB2/6T2
STO8	STO8TV	STO8TN	STO8	NAST8R	NAB2/8
STO10	STO10	STO10	STO10	NAST10R	NAB200
STO12	STO12	STO12	STO12	NAST12R	NAB201
STO15	STO15	STO15	STO15	NAST15R	NAB202
STO17	STO17	STO17	STO17	NAST17R	NAB203
STO20	STO20	STO20	STO20	NAST20R	NAB204
STO25	STO25	STO25	STO25	NAST25R	NAB205
STO30	STO30	STO30	STO30	NAST30R	NAB206
STO35	STO35	STO35	STO35	NAST35R	NAB207
STO40	STO40	STO40	STO40	NAST40R	NAB208
STO45	STO45	STO45	STO45	NAST45R	NAB209
STO50	STO50	STO50	STO50	NAST50R	NAB210

## Cylindrical, with inner ring

C&H	INA	SKF	Torrington	IKO · THK	NTN
STO6X	STO6XTV	STO6TNX	STO6DZ	NAST6	NAB2/6XT2
STO8X	STO8XTV	STO7TNX	STO8DZ	NAST8	NAB2/8X
STO10X	STO10X	STO10X	STO10DZ	NAST10	NAB200X
STO12X	STO12X	STO12X	STO12DZ	NAST12	NAB201X
STO15X	STO15X	STO15X	STO15DZ	NAST15	NAB202X
STO17X	STO17X	STO17X	STO17DZ	NAST17	NAB203X
STO20X	STO20X	STO20X	STO20DZ	NAST20	NAB204X
STO25X	STO25X	STO25X	STO25DZ	NAST25	NAB205X
STO30X	STO30X	STO30X	STO30DZ	NAST30	NAB206X
STO35X	STO35X	STO35X	STO35DZ	NAST35	NAB207X
STO40X	STO40X	STO40X	STO40DZ	NAST40	NAB208X
STO45X	STO45X	STO45X	STO45DZ	NAST45	NAB209X
STO50X	STO50X	STO50X	STO50DZ	NAST50	NAB210X

## Crowned, without inner ring

C&H	INA	SKF	Torrington	IKO · THK	NTN
RSTO5	RSTO5TV	RSTO5TN	RSTO5	RNAST5R	RNAB2/5XT2
RSTO6	RSTO6TV	RSTO6TN	RSTO6	RNAST6R	RNAB2/6T2
RSTO8	RSTO8TV	RSTO8TN	RSTO8	RNAST8R	RNAB2/8
RSTO10	RSTO10	RSTO10	RSTO10	RNAST10R	RNAB200
RSTO12	RSTO12	RSTO12	RSTO12	RNAST12R	RNAB201
RSTO15	RSTO15	RSTO15	RSTO15	RNAST15R	RNAB202
RSTO17	RSTO17	RSTO17	RSTO17	RNAST17R	RNAB203
RSTO20	RSTO20	RSTO20	RSTO20	RNAST20R	RNAB204
RSTO25	RSTO25	RSTO25	RSTO25	RNAST25R	RNAB205
RSTO30	RSTO30	RSTO30	RSTO30	RNAST30R	RNAB206
RSTO35	RSTO35	RSTO35	RSTO35	RNAST35R	RNAB207
RSTO40	RSTO40	RSTO40	RSTO40	RNAST40R	RNAB208
RSTO45	RSTO45	RSTO45	RSTO45	RNAST45R	RNAB209
RSTO50	RSTO50	RSTO50	RSTO50	RNAST50R	RNAB210

## Cylindrical, without inner ring

C&H	INA	SKF	Torrington	IKO · THK	NTN
RSTO5X	RSTO5XTV	RSTO5TNX	RSTO5DZ		
RSTO6X	RSTO6XTV	RSTO6TNX	RSTO6DZ	NAST6	NAB2/6XT2
RSTO8X	RSTO8XTV	RSTO8TNX	RSTO8DZ	NAST8	NAB2/8X
RSTO10X	RSTO10X	RSTO10X	RSTO10DZ	NAST10	NAB200X
RSTO12X	RSTO12X	RSTO12X	RSTO12DZ	NAST12	NAB201X
RSTO15X	RSTO15X	RSTO15X	RSTO15DZ	NAST15	NAB202X
RSTO17X	RSTO17X	RSTO17X	RSTO17DZ	NAST17	NAB203X
RSTO20X	RSTO20X	RSTO20X	RSTO20DZ	NAST20	NAB204X
RSTO25X	RSTO25X	RSTO25X	RSTO25DZ	NAST25	NAB205X
RSTO30X	RSTO30X	RSTO30X	RSTO30DZ	NAST30	NAB206X
RSTO35X	RSTO35X	RSTO35X	RSTO35DZ	NAST35	NAB207X
RSTO40X	RSTO40X	RSTO40X	RSTO40DZ	NAST40	NAB208X
RSTO45X	RSTO45X	RSTO45X	RSTO45DZ	NAST45	NAB209X
RSTO50X	RSTO50X	RSTO50X	RSTO50DZ	NAST50	NAB210X

Shanghai Chenghui (C&H) Bearing Co., Ltd

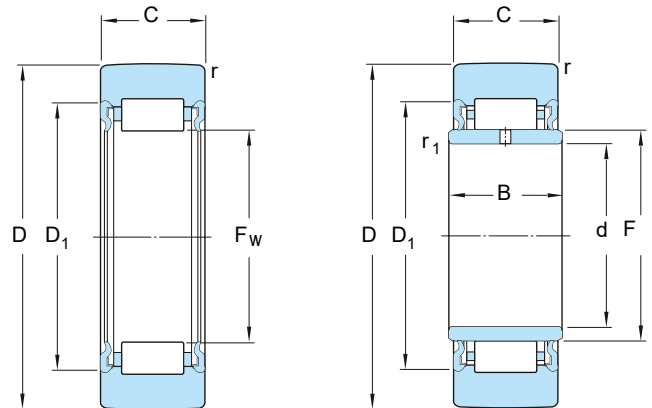
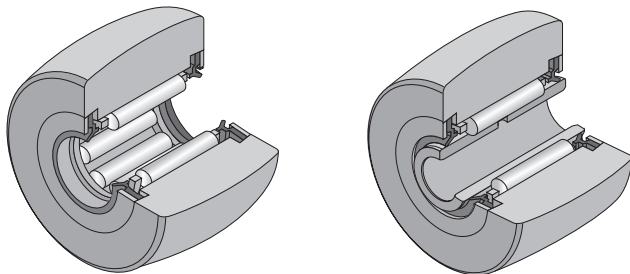
2-1709, No 289, Zheqiao Road, Pudong, Shanghai, China

Tel: +86 (0) 21 5835 6710 Fax: +86 (0) 21 5835 6720

E-mail: [jason@chenghuibearing.com](mailto:jason@chenghuibearing.com) / [www.chenghuibearing.com](http://www.chenghuibearing.com)

# Yoke type track rollers-NA..2RS

separable, without axial guidance, double lip seals  
D 16 – 90 mm



Part Number	Mass		Part Number	Mass		Dimensions						Basic load rating		Fatigue load limit		Maximum radial load		Limiting speed		
	m	kg		m	kg	D	d	C	B	d1	Fw(F)	r <sub>min</sub>	r <sub>1 min</sub>	C	C <sub>0</sub>	P <sub>u</sub>	F <sub>r</sub>		F <sub>0r</sub>	
	mm																		kN	r/min
NA22/6-2RS	0.022		RNA22/6-2RS	0.018	19	6	11.8	12	16	10	0.3	0.3	3.52	3	0.34	1.93	2.75	7000		
NA22/8-2RS	0.034		RNA22/8-2RS	0.029	24	8	11.8	12	18	12	0.3	0.3	4.46	4.4	0.5	5	7.1	6700		
NA2200-2RS	0.06		RNA2200-2RS	0.052	30	10	13.8	14	20	14	0.6	0.3	6.44	7.2	0.85	12	17	5500		
NA2201-2RS	0.067		RNA2201-2RS	0.057	32	12	13.8	14	22	16	0.6	0.3	6.93	8.15	0.965	11.6	16.6	4700		
NA2202-2RS	0.075		RNA2202-2RS	0.06	35	15	13.8	14	26	20	0.6	0.3	7.21	9	1.04	9.65	13.7	3400		
NA2203-2RS	0.112		RNA2203-2RS	0.094	40	17	15.8	16	28	22	1	0.3	9.35	12.9	1.53	16	22.8	3000		
NA2204-2RS	0.177		RNA2204-2RS	0.152	47	20	17.8	18	33	25	1	0.3	15.4	17.3	2.12	17.6	25.5	2300		
NA2205-2RS	0.209		RNA2205-2RS	0.179	52	25	17.8	18	38	30	1	0.3	16.1	19	2.32	17.3	24.5	1800		
NA2206-2RS	0.324		RNA2206-2RS	0.284	62	30	19.8	20	43	35	1	0.3	17.6	24.5	3	28.5	40.5	1400		
NA2207-2RS	0.505		RNA2207-2RS	0.432	72	35	22.7	23	50	42	1.1	0.6	22	34	4.3	39	56	1100		
NA2208-2RS	0.628		RNA2208-2RS	0.53	80	40	22.7	23	57	48	1.1	0.6	27	39	4.9	37.5	53	850		
NA2209-2RS	0.655		RNA2209-2RS	0.545	85	45	22.7	23	62	52	1.1	0.6	28.5	43	5.7	40.5	64	800		
NA2210-2RS	0.69		RNA2210-2RS	0.563	90	50	22.7	23	68	58	1.1	0.6	28	42.5	5.7	42.5	70	650		

Note: Available X105CrMo17/1.4125/440 or X20Cr13/1.4021/420 stainless steel, available with nylon cage suffix "TN"

## Interchange

Maker	Series	Crowned outer ring	Cylindrical inner ring	Lip seals	Without inner ring
C&H	NA22	blank	suffix "X"	suffix "2RS"	prefix "R"
SKF	NA22	blank	suffix "X"	suffix "2RS"	prefix "R"
SKF(old)	NA22	blank	suffix "P"	suffix "2RS"	prefix "R"
INA	NA22	blank	suffix "X"	suffix "2RSR"	prefix "R"
FAG(old)	NA22	blank	suffix "DZ"	suffix "2RSR"	prefix "R"
NTN	NA22	R	Blank	suffix "LL"	prefix "R"
Torrington	NA22	blank	suffix "DZ"	suffix "2RS"	prefix "R"

## R NA 6 2RS X

- X, DZ, P - Cylindrical outer ring
- Blank - Crowned outer ring
- TN - Nylon cage
- 6 - Bore diameter
- NA - Series
- R - Without inner ring

Shanghai Chenghui (C&H) Bearing Co., Ltd

2-1709, No 289, Zheqiao Road, Pudong, Shanghai, China

Tel: +86 (0) 21 5835 6710 Fax: +86 (0) 21 5835 6720

E-mail: jason@chenghuibearing.com / www.chenghuibearing.com

### Crowned, with inner ring, with lip seals

C&H · SKF · Torrington	INA	NTN
NA 22/6.2RS	NA22/6-2RSR	NA22/6LL/3AS
NA 22/8.2RS	NA22/8-2RSR	NA22/8LL/3AS
NA 2200.2RS	NA2200-2RSR	NA2200LL/3AS
NA 2201.2RS	NA2201-2RSR	NA2201LL/3AS
NA 2202.2RS	NA2202-2RSR	NA2202LL/3AS
NA 2203.2RS	NA2203-2RSR	NA2203LL/3AS
NA 2204.2RS	NA2204-2RSR	NA2204LL/3AS
NA 2205.2RS	NA2205-2RSR	NA2205LL/3AS
NA 2206.2RS	NA2206-2RSR	NA2206LL/3AS
NA 2207.2RS	NA2207-2RSR	NA2207LL/3AS
NA 2208.2RS	NA2208-2RSR	NA2208LL/3AS
NA 2209.2RS	NA2209-2RSR	NA2209LL/3AS
NA 2210.2RS	NA2210-2RSR	NA2210LL/3AS

### Cylindrical, with inner ring, with lip seals

C&H · SKF	INA	Torrington	NTN
NA22/6.2RSX	NA22/6-2RSRX	NA22/6.2RS.DZ	NA22/6XLL/3AS
NA22/8.2RSX	NA22/8-2RSRX	NA22/8.2RS.DZ	NA22/8XLL/3AS
NA2200.2RSX	NA2200-2RSRX	NA2200.2RS.DZ	NA2200XLL/3AS
NA2201.2RSX	NA2201-2RSRX	NA2201.2RS.DZ	NA2201XLL/3AS
NA2202.2RSX	NA2202-2RSRX	NA2202.2RS.DZ	NA2202XLL/3AS
NA2203.2RSX	NA2203-2RSRX	NA2203.2RS.DZ	NA2203XLL/3AS
NA2204.2RSX	NA2204-2RSRX	NA2204.2RS.DZ	NA2204XLL/3AS
NA2205.2RSX	NA2205-2RSRX	NA2205.2RS.DZ	NA2205XLL/3AS
NA2206.2RSX	NA2206-2RSRX	NA2206.2RS.DZ	NA2206XLL/3AS
NA2207.2RSX	NA2207-2RSRX	NA2207.2RS.DZ	NA2207XLL/3AS
NA2208.2RSX	NA2208-2RSRX	NA2208.2RS.DZ	NA2208XLL/3AS
NA2209.2RSX	NA2209-2RSRX	NA2209.2RS.DZ	NA2209XLL/3AS
NA2210.2RSX	NA2210-2RSRX	NA2210.2RS.DZ	NA2210XLL/3AS

### Crowned, without inner ring, with lip seals

C&H · SKF · Torrington	INA	NTN
RNA22/6.2RS	RNA22/6-2RSR	RNA22/6LL/3AS
RNA22/8.2RS	RNA22/8-2RSR	RNA22/8LL/3AS
RNA2200.2RS	RNA2200-2RSR	RNA2200LL/3AS
RNA2201.2RS	RNA2201-2RSR	RNA2201LL/3AS
RNA2202.2RS	RNA2202-2RSR	RNA2202LL/3AS
RNA2203.2RS	RNA2203-2RSR	RNA2203LL/3AS
RNA2204.2RS	RNA2204-2RSR	RNA2204LL/3AS
RNA2205.2RS	RNA2205-2RSR	RNA2205LL/3AS
RNA2206.2RS	RNA2206-2RSR	RNA2206LL/3AS
RNA2207.2RS	RNA2207-2RSR	RNA2207LL/3AS
RNA2208.2RS	RNA2208-2RSR	RNA2208LL/3AS
RNA2209.2RS	RNA2209-2RSR	RNA2209LL/3AS
RNA2210.2RS	RNA2210-2RSR	RNA2210LL/3AS

### Cylindrical, without inner ring, with lip seals

C&H · SKF	INA	Torrington	NTN
RNA22/6.2RSX	RNA22/6-2RSRX	RNA22/6.2RS.DZ	RNA22/6XLL/3AS
RNA22/8.2RSX	RNA22/8-2RSRX	RNA22/8.2RS.DZ	RNA22/8XLL/3AS
RNA2200.2RSX	RNA2200-2RSRX	RNA2200.2RS.DZ	RNA2200XLL/3AS
RNA2201.2RSX	RNA2201-2RSRX	RNA2201.2RS.DZ	RNA2201XLL/3AS
RNA2202.2RSX	RNA2202-2RSRX	RNA2202.2RS.DZ	RNA2202XLL/3AS
RNA2203.2RSX	RNA2203-2RSRX	RNA2203.2RS.DZ	RNA2203XLL/3AS
RNA2204.2RSX	RNA2204-2RSRX	RNA2204.2RS.DZ	RNA2204XLL/3AS
RNA2205.2RSX	RNA2205-2RSRX	RNA2205.2RS.DZ	RNA2205XLL/3AS
RNA2206.2RSX	RNA2206-2RSRX	RNA2206.2RS.DZ	RNA2206XLL/3AS
RNA2207.2RSX	RNA2207-2RSRX	RNA2207.2RS.DZ	RNA2207XLL/3AS
RNA2208.2RSX	RNA2208-2RSRX	RNA2208.2RS.DZ	RNA2208XLL/3AS
RNA2209.2RSX	RNA2209-2RSRX	RNA2209.2RS.DZ	RNA2209XLL/3AS
RNA2210.2RSX	RNA2210-2RSRX	RNA2210.2RS.DZ	RNA2210XLL/3AS

Shanghai Chenghui (C&H) Bearing Co., Ltd

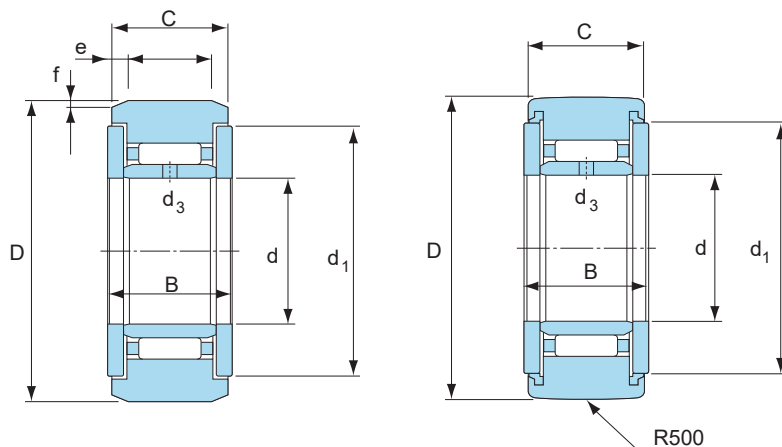
2-1709, No 289, Zheqiao Road, Pudong, Shanghai, China

Tel: +86 (0) 21 5835 6710 Fax: +86 (0) 21 5835 6720

E-mail: [jason@chenghuibearing.com](mailto:jason@chenghuibearing.com) / [www.chenghuibearing.com](http://www.chenghuibearing.com)

# Yoke type track rollers-NAST..ZZ

## Separable, with axial washer



Part Number	Dimensions								Oil hole d3	Basic load rating		Track load capacity		Limiting speed r/min	Mass kg
	D	d	B	C	d1	e	f	r <sub>min</sub>		C	C0	Cylindrical OD	Crowned OD		
	mm									kN					
NAST6ZZ	19	6	14	13.8	14	2.5	0.8	0.3	1.5	4.12	4.55	3.53	1.37	20000	0.025
NAST8ZZ	24	8	14	13.8	17.5	2.5	0.8	0.6	1.5	5.68	5.89	4.51	1.86	17000	0.039
NAST10ZZ	30	10	12	11.8	23.5	2.5	0.8	1	2	9.7	9.67	6.86	2.45	15000	0.065
NAST12ZZ	32	12	12	11.8	25.5	2.5	0.8	1	2	10.4	10.9	7.35	2.74	13000	0.075
NAST15ZZ	35	15	12	11.8	29	2.5	0.8	1	2	12.3	14.3	8.04	3.14	10000	0.083
NAST17ZZ	40	17	16	15.8	32.5	3	1	1	2	17.4	20.9	11.8	3.72	9500	0.135
NAST20ZZ	47	20	16	15.8	38	3	1	1	2.5	19.2	24.5	13.8	4.61	8500	0.195
NAST25ZZ	52	25	16	15.8	43	3	1	1	2.5	20.7	28.4	15.3	5.29	7000	0.225
NAST30ZZ	62	30	20	19.8	50.5	4	1.2	1	3	30.3	45.4	22.1	6.66	5500	0.4
NAST35ZZ	72	35	20	19.8	53.5	4	1.2	1	3	32.2	50.6	25.7	8.13	5000	0.55
NAST40ZZ	80	40	20	19.8	61.5	4	1.2	1.5	3	35.7	61.6	30.3	9.31	4000	0.71
NAST45ZZ	85	45	20	19.8	66.5	4	1.2	1.5	3	37.1	66.4	31.1	10.1	4000	0.76
NAST50ZZ	90	50	20	19.8	76	4	1.2	1.5	3	38.7	71.8	34	11	3500	0.83

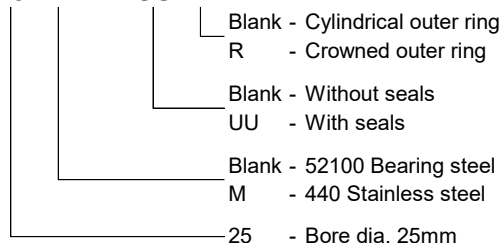
### Note

The limiting speed applies shows in this table is for type without seal and grease lubrication. In oil lubrication conditions, up to 130% of this value is permitted. For the rollers with seals and grease lubrication, 70% of this value is permitted.

### Interchange

Maker	Series	Seals	Crowned	Cylindrical
C&H	NAST..ZZ	UU	R	Blank
THK	NAST..ZZ	UU	R	Blank
IKO	NAST..ZZ	UU	R	Blank
Torrington	STO..ZZ	-	Blank	DZ
Koyo	CZM	UU	R	Blank
NTN	NABR	-	Blank	X
INA · SKF	NAST..ZZ	P	-	Blank

### NAST 25 M ZZ UU R



## Shanghai Chenghui (C&H) Bearing Co., Ltd

2-1709, No 289, Zheqiao Road, Pudong, Shanghai, China

Tel: +86 (0) 21 5835 6710 Fax: +86 (0) 21 5835 6720

E-mail: jason@chenghuibearing.com / www.chenghuibearing.com

### Cylindrical, without seals

C&H	IKO · THK	NTN	KOYO	INA · SKF	FAG · Torrington
NAST6ZZ	NAST6ZZ	NABR6X	CZM6	NAST6P-2Z	STO6ZZ.DZ
NAST8ZZ	NAST8ZZ	NABR8X	CZM8	NAST8P-2Z	STO8ZZ.DZ
NAST10ZZ	NAST10ZZ	NABR10X	CZM10	NAST10P-2Z	STO10ZZ.DZ
NAST12ZZ	NAST12ZZ	NABR12X	CZM12	NAST12P-2Z	STO12ZZ.DZ
NAST15ZZ	NAST15ZZ	NABR15X	CZM15	NAST15P-2Z	STO15ZZ.DZ
NAST17ZZ	NAST17ZZ	NABR17X	CZM17	NAST17P-2Z	STO17ZZ.DZ
NAST20ZZ	NAST20ZZ	NABR20X	CZM20	NAST20P-2Z	STO20ZZ.DZ
NAST25ZZ	NAST25ZZ	NABR25X	CZM25	NAST25P-2Z	STO25ZZ.DZ
NAST30ZZ	NAST30ZZ	NABR30X	CZM30	NAST30P-2Z	STO30ZZ.DZ
NAST35ZZ	NAST35ZZ	NABR35X	CZM35	NAST35P-2Z	STO35ZZ.DZ
NAST40ZZ	NAST40ZZ	NABR40X	CZM40	NAST40P-2Z	STO40ZZ.DZ
NAST45ZZ	NAST45ZZ	NABR45X	CZM45	NAST45P-2Z	STO45ZZ.DZ
NAST50ZZ	NAST50ZZ	NABR50X	CZM50	-	STO50ZZ.DZ

### Cylindrical, with seals

C&H	IKO · THK	KOYO
NAST6ZZUU	NAST6ZZUU	CZM6UU
NAST8ZZUU	NAST8ZZUU	CZM8UU
NAST10ZZUU	NAST10ZZUU	CZM10UU
NAST12ZZUU	NAST12ZZUU	CZM12UU
NAST15ZZUU	NAST15ZZUU	CZM15UU
NAST17ZZUU	NAST17ZZUU	CZM17UU
NAST20ZZUU	NAST20ZZUU	CZM20UU
NAST25ZZUU	NAST25ZZUU	CZM25UU
NAST30ZZUU	NAST30ZZUU	CZM30UU
NAST35ZZUU	NAST35ZZUU	CZM35UU
NAST40ZZUU	NAST40ZZUU	CZM40UU
NAST45ZZUU	NAST45ZZUU	CZM45UU
NAST50ZZUU	NAST50ZZUU	CZM50UU

### Crowned, without seals

C&H	IKO · THK	NTN	KOYO	INA · SKF	FAG · Torrington
NAST6ZZR	NAST6ZZR	NABR6	CZM6R	NAST6-2Z	STO6ZZ
NAST8ZZR	NAST8ZZR	NABR8	CZM8R	NAST8-2Z	STO8ZZ
NAST10ZZR	NAST10ZZR	NABR10	CZM10R	NAST10-2Z	STO10ZZ
NAST12ZZR	NAST12ZZR	NABR12	CZM12R	NAST12-2Z	STO12ZZ
NAST15ZZR	NAST15ZZR	NABR15	CZM15R	NAST15-2Z	STO15ZZ
NAST17ZZR	NAST17ZZR	NABR17	CZM17R	NAST17-2Z	STO17ZZ
NAST20ZZR	NAST20ZZR	NABR20	CZM20R	NAST20-2Z	STO20ZZ
NAST25ZZR	NAST25ZZR	NABR25	CZM25R	NAST25-2Z	STO25ZZ
NAST30ZZR	NAST30ZZR	NABR30	CZM30R	NAST30-2Z	STO30ZZ
NAST35ZZR	NAST35ZZR	NABR35	CZM35R	NAST35-2Z	STO35ZZ
NAST40ZZR	NAST40ZZR	NABR40	CZM40R	NAST40-2Z	STO40ZZ
NAST45ZZR	NAST45ZZR	NABR45	CZM45R	NAST45-2Z	STO45ZZ
NAST50ZZR	NAST50ZZR	NABR50	CZM50R	-	STO50ZZ

### Crowned, with seals

C&H	IKO · THK	KOYO
NAST6ZZUUR	NAST6ZZUUR	CZM6UUR
NAST8ZZUUR	NAST8ZZUUR	CZM8UUR
NAST10ZZUUR	NAST10ZZUUR	CZM10UUR
NAST12ZZUUR	NAST12ZZUUR	CZM12UUR
NAST15ZZUUR	NAST15ZZUUR	CZM15UUR
NAST17ZZUUR	NAST17ZZUUR	CZM17UUR
NAST20ZZUUR	NAST20ZZUUR	CZM20UUR
NAST25ZZUUR	NAST25ZZUUR	CZM25UUR
NAST30ZZUUR	NAST30ZZUUR	CZM30UUR
NAST35ZZUUR	NAST35ZZUUR	CZM35UUR
NAST40ZZUUR	NAST40ZZUUR	CZM40UUR
NAST45ZZUUR	NAST45ZZUUR	CZM45UUR
NAST50ZZUUR	NAST50ZZUUR	CZM50UUR

Shanghai Chenghui (C&H) Bearing Co., Ltd

2-1709, No 289, Zheqiao Road, Pudong, Shanghai, China

Tel: +86 (0) 21 5835 6710 Fax: +86 (0) 21 5835 6720

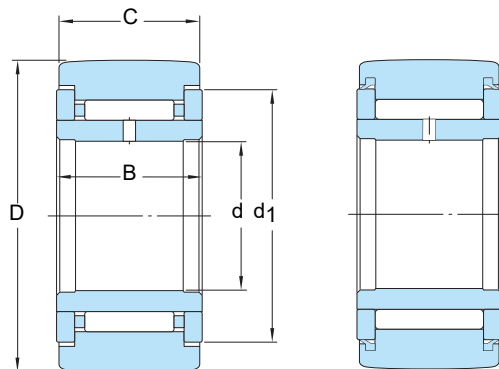
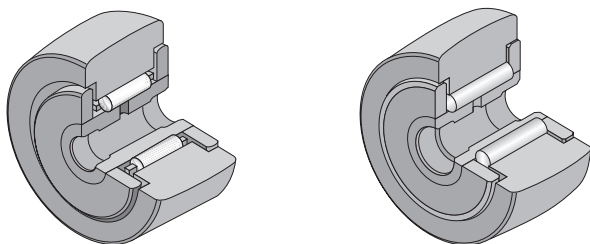
E-mail: [jason@chenghuibearing.com](mailto:jason@chenghuibearing.com) / [www.chenghuibearing.com](http://www.chenghuibearing.com)



# Yoke type track rollers-NATR,NATV

with inner ring and axial plain washer  
D 16 – 90 mm

C&H  
BEARING



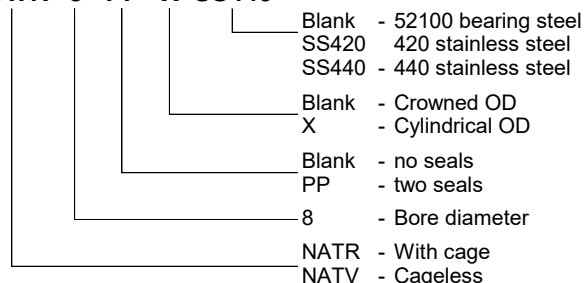
Part Number				Dimensions						Basic load rating		Fatigue load limit	Maximum radial load		Limiting speed	Mass
Crowned OD		Cylindrical OD		D	d	C	B	d1	r <sub>min</sub>	C	C <sub>0</sub>	P <sub>u</sub>	F <sub>r</sub>	F <sub>0r</sub>	r/min	m
w/o seals	with seals	w/o seals	with seals	mm						kN						kg
NATR 5	NATR 5 PP	NATR 5 X	NATR 5 PPX	16	5	11	12	12.5	0.15	3.14	3.2	0.345	2.9	4.15	6000	0.014
NATV 5	NATV 5 PP	NATV 5 X	NATV 5 PPX	16	5	11	12	12.5	0.15	4.73	6.55	0.72	4.05	5.7	3800	0.015
NATR 6	NATR 6 PP	NATR 6 X	NATR 6 PPX	19	6	11	12	15	0.15	3.47	3.8	0.415	3.8	5.5	5600	0.02
NATV 6	NATV 6 PP	NATV 6 X	NATV 6 PPX	19	6	11	12	15	0.15	5.28	8	0.88	5.1	7.35	3100	0.021
NATR 8	NATR 8 PP	NATR 8 X	NATR 8 PPX	24	8	14	15	19	0.3	5.28	6.1	0.695	5.2	7.35	5000	0.038
NATV 8	NATV 8 PP	NATV 8 X	NATV 8 PPX	24	8	14	15	19	0.3	7.48	11.4	1.32	7.35	10.4	2500	0.041
NATR 10	NATR 10 PP	NATR 10 X	NATR 10 PPX	30	10	14	15	23	0.6	6.44	8	0.88	7.8	11.2	4800	0.064
NATV 10	NATV 10 PP	NATV 10 X	NATV 10 PPX	30	10	14	15	23	0.6	8.97	14.6	1.66	11	15.6	2100	0.065
NATR 12	NATR 12 PP	NATR 12 X	NATR 12 PPX	32	12	14	15	25	0.6	6.6	8.5	0.95	7.65	10.8	4500	0.066
NATV 12	NATV 12 PP	NATV 12 X	NATV 12 PPX	32	12	14	15	25	0.6	9.35	15.3	1.76	10.6	15	1800	0.069
NATR 15	NATR 15 PP	NATR 15 X	NATR 15 PPX	35	15	18	19	27.6	0.6	9.52	13.7	1.56	11.4	16.3	3600	0.095
NATV 15	NATV 15 PP	NATV 15 X	NATV 15 PPX	35	15	18	19	27.6	0.6	12.3	23.2	2.7	14.6	20.8	1600	0.101
NATR 17	NATR 17 PP	NATR 17 X	NATR 17 PPX	40	17	20	21	31.5	1	10.5	14.6	1.73	12.5	18	2900	0.139
NATV 17	NATV 17 PP	NATV 17 X	NATV 17 PPX	40	17	20	21	31.5	1	14.2	26.5	3.1	17	24.5	1400	0.147
NATR 20	NATR 20 PP	NATR 20 X	NATR 20 PPX	47	20	24	25	36.5	1	14.7	24.5	2.9	23.6	33.5	2400	0.236
NATV 20	NATV 20 PP	NATV 20 X	NATV 20 PPX	47	20	24	25	36.5	1	19.4	41.5	5	30.5	43	1300	0.245
NATR 25	NATR 25 PP	NATR 25 X	NATR 25 PPX	52	25	24	25	41.5	1	14.7	25.5	3.1	21.6	31	1800	0.271
NATV 25	NATV 25 PP	NATV 25 X	NATV 25 PPX	52	25	24	25	41.5	1	19.8	44	5.3	28.5	40.5	1000	0.281
NATR 30	NATR 30 PP	NATR 30 X	NATR 30 PPX	62	30	28	29	51	1	22.9	37.5	4.55	26.5	38	1300	0.444
NATV 30	NATV 30 PP	NATV 30 X	NATV 30 PPX	62	30	28	29	51	1	29.2	62	7.65	34.5	49	850	0.468
NATR 35	NATR 35 PP	NATR 35 X	NATR 35 PPX	72	35	28	29	58	1.1	24.6	43	5.3	33.5	48	1000	0.547
NATV 35	NATV 35 PP	NATV 35 X	NATV 35 PPX	62	30	28	29	58	1.1	29.2	62	7.65	43	62	750	0.63
NATR 40	NATR 40 PP	NATR 40 X	NATR 40 PPX	80	40	30	32	66	1.1	31.9	57	7.1	41.5	58.5	850	0.795
NATV 40	NATV 40 PP	NATV 40 X	NATV 40 PPX	80	40	30	32	66	1.1	39.1	88	11	51	73.5	650	0.832
NATR 50	NATR 50 PP	NATR 50 X	NATR 50 PPX	80	40	30	32	76	1.1	31.9	57	7.1	40	57	650	0.867
NATV 50	NATV 50 PP	NATV 50 X	NATV 50 PPX	90	50	30	32	76	1.1	39.1	93	11.6	50	72	550	0.969

Note: Available X105CrMo17/1.4125/440 or X20Cr13/1.4021/420 stainless steel.

## Interchange

Maker	Series	Series	Seals	Crowned	Cylindrical
C&H	NATR	NATV	PP	Blank	X
INA · SKF	NATR	NATR	PP	Blank	X
NTN	NATR	NATV	LL	Blank	X
IKO · THK	NART	NART..VR	UU	R	-
NSK	FYC	FYCR	S	R	Blank
Koyo	CXM..M	CYM..M	UU	R	Blank
McGill	MCYRR	MCYR	S	Blank	X
Smith	MYR	MYRV	S	Blank	C

## NATR 8 PP X SS440



## Shanghai Chenghui (C&H) Bearing Co., Ltd

2-1709, No 289, Zheqiao Road, Pudong, Shanghai, China

Tel: +86 (0) 21 5835 6710 Fax: +86 (0) 21 5835 6720

E-mail: jason@chenghuibearing.com / www.chenghuibearing.com

## Interchange-NATR-NATV-Stainless steel

### Interchange-NATR-NATV-Overall

Features	C&H	INA SKF	IKO THK	NTN	NSK	McGill	Smith	Torrington	Misumi
crowned OD	NATR	NATR	NART..R	NATR	FYC ..R	MCYRR	MYR	-	NARTR
crowned OD,sealed	NATR..PP	NATR..PP	NART..UUR	NATR..LL	FYC S..R	MCYRR..S	MYR..S	FYR SC	NARTU
cylindrical OD	NATR..X	NATR..X	-	NATR..X	FYC	MCYRR..X	MYR..C	-	-
cylindrical OD,sealed	NATR..PPX	NATR..PPX	-	NATR..XLL	FYC S	MCYRR..SX	MYR..SC	-	-
crowned OD,cageless	NATV	NATV	NART..VR	NATV	FYCR..R	MCYR	MYRV	-	NARTRV
crowned OD,cageless,sealed	NATV..PP	NATV..PP	NART..VUUR	NATV..LL	FYCRS..R	MCYR..S	MYRV..S	-	NARTV
cylindrical OD,cageless	NATV..X	NATV..X	-	NATV..X	FYCR	MCYR..X	MYRV..C	-	-
cylindrical OD,cageless,sealed	NATV..PPX	NATV..PPX	-	NATV..XLL	FYCRS	MCYR..SX	MYRV..SC	-	-
crowned OD, stainless steel	NATR..SS	-	NART..FR	-	-	-	-	-	NARTRS
crowned OD,sealed,stainless steel	NATR..PP-SS	-	NART..FUUR	-	-	-	-	-	NARTUS
crowned OD,cageless,sealed,stainless steel	NATV..PP-SS	-	-	-	-	-	-	-	NARTVS

### Interchange of stainless steel NATR and NATV

440C			440C			440C		
Crowned OD			Crowned OD			Crowned OD		
With Cage			With Cage			W/O Cage		
W/O Seals			With Seals			With Seals		
C&H	IKO	Misumi	C&H	IKO	Misumi	C&H	Misumi	
NATR5-SS440	NART5FR	NARTRS5	NATR5-PP-SS440	NART5FUUR	NARTUS5	NATV5-PP-SS440	NARTVS5	
NATR6-SS440	NART6FR	NARTRS6	NATR6-PP-SS440	NART6FUUR	NARTUS6	NATV6-PP-SS440	NARTVS6	
NATR8-SS440	NART8FR	NARTRS8	NATR8-PP-SS440	NART8FUUR	NARTUS8	NATV8-PP-SS440	NARTVS8	
NATR10-SS440	NART10FR	NARTRS10	NATR10-PP-SS440	NART10FUUR	NARTUS10	NATV10-PP-SS440	NARTVS10	
NATR12-SS440	NART12FR	NARTRS12	NATR12-PP-SS440	NART12FUUR	NARTUS12	NATV12-PP-SS440	NARTVS12	
NATR15-SS440	NART15FR		NATR15-PP-SS440	NART15FUUR				
NATR17-SS440	NART17FR		NATR17-PP-SS440	NART17FUUR				
NATR20-SS440	NART20FR		NATR20-PP-SS440	NART20FUUR				
NATR25-SS440	NART25FR		NATR25-PP-SS440	NART25FUUR				
NATR30-SS440	NART30FR		NATR30-PP-SS440	NART30FUUR				

Shanghai Chenghui (C&H) Bearing Co., Ltd

2-1709, No 289, Zheqiao Road, Pudong, Shanghai, China

Tel: +86 (0) 21 5835 6710 Fax: +86 (0) 21 5835 6720

E-mail: [jason@chenghuibearing.com](mailto:jason@chenghuibearing.com) / [www.chenghuibearing.com](http://www.chenghuibearing.com)



# Interchange-NATR



Metric	With Cage	With Inner Ring	Crowned OD	W/O Seals	52100				
C&H	INA · SKF	IKO · THK	NTN	NSK	KOYO	Torrington	McGill	Smith	Misumi
NATR5	NATR5	NART5R	NATR5	FYC -5R	CXM5RM		MCYRR 5	MYR5	NARTR5
NATR6	NATR6	NART6R	NATR6	FYC -6R	CXM6RM		MCYRR 6	MYR6	NARTR6
NATR8	NATR8	NART8R	NATR8	FYC -8R	CXM8RM		MCYRR 8	MYR8	NARTR8
NATR10	NATR10	NART10R	NATR10	FYC -10R	CXM10RM		MCYRR 10	MYR10	NARTR10
NATR12	NATR12	NART12R	NATR12	FYC -12R	CXM12RM		MCYRR 12	MYR12	NARTR12
NATR15	NATR15	NART15R	NATR15	FYC -15R	CXM15RM		MCYRR 15	MYR15	-
NATR17	NATR17	NART17R	NATR17	FYC -17R	CXM17RM		MCYRR 17	MYR17	-
NATR20	NATR20	NART20R	NATR20	FYC -20R	CXM20RM		MCYRR 20	MYR20	-
NATR25	NATR25	NART25R	NATR25	FYC -25R	CXM25RM		MCYRR 25	MYR25	-
NATR30	NATR30	NART30R	NATR30	FYC -30R	CXM30RM		MCYRR 30	MYR30	-
NATR35	NATR35	NART35R	NATR35	FYC -35R	CXM35RM		MCYRR 35	MYR35	-
NATR40	NATR40	NART40R	NATR40	FYC -40R	CXM40RM		MCYRR 40	MYR40	-
-	-	NART45R	NATR45	FYC -45R	CXM45RM		MCYRR 45	MYR45	-
NATR50	NATR50	NART50R	NATR50	FYC -50R	CXM50RM		MCYRR 50	MYR50	-

Metric	With Cage	With Inner Ring	Crowned OD	With Seals	52100				
C&H	INA · SKF	IKO · THK	NTN	NSK	KOYO	Torrington	McGill	Smith	Misumi
NATR5PP	NATR5PP	NART5UUR	NATR5LL/3AS	FYC S-5R	CXM5UURM	FYR SC-516	MCYRR 5 S	MYR5S	NARTU5
NATR6PP	NATR6PP	NART6UUR	NATR6LL/3AS	FYC S-6R	CXM6UURM	FYR SC-619	MCYRR 6 S	MYR6S	NARTU6
NATR8PP	NATR8PP	NART8UUR	NATR8LL/3AS	FYC S-8R	CXM8UURM	FYR SC-824	MCYRR 8 S	MYR8S	NARTU8
NATR10PP	NATR10PP	NART10UUR	NATR10LL/3AS	FYC S-10R	CXM10UURM	FYR SC-1030	MCYRR 10 S	MYR10S	NARTU10
NATR12PP	NATR12PP	NART12UUR	NATR12LL/3AS	FYC S-12R	CXM12UURM	FYR SC-1232	MCYRR 12 S	MYR12S	NARTU12
NATR15PP	NATR15PP	NART15UUR	NATR15LL/3AS	FYC S-15R	CXM15UURM	-	MCYRR 15 S	MYR15S	NARTU15
NATR17PP	NATR17PP	NART17UUR	NATR17LL/3AS	FYC S-17R	CXM17UURM	-	MCYRR 17 S	MYR17S	NARTU17
NATR20PP	NATR20PP	NART20UUR	NATR20LL/3AS	FYC S-20R	CXM20UURM	-	MCYRR 20 S	MYR20S	NARTU20
NATR25PP	NATR25PP	NART25UUR	NATR25LL/3AS	FYC S-25R	CXM25UURM	-	MCYRR 25 S	MYR25S	-
NATR30PP	NATR30PP	NART30UUR	NATR30LL/3AS	FYC S-30R	CXM30UURM	-	MCYRR 30 S	MYR30S	-
NATR35PP	NATR35PP	NART35UUR	NATR35LL/3AS	FYC S-35R	CXM35UURM	-	MCYRR 35 S	MYR35S	-
NATR40PP	NATR40PP	NART40UUR	NATR40LL/3AS	FYC S-40R	CXM40UURM	-	MCYRR 40 S	MYR40S	-
-	-	NART45UUR	NATR45LL/3AS	FYC S-45R	CXM45UURM	-	MCYRR 45 S	MYR45S	-
NATR50PP	NATR50PP	NART50UUR	NATR50LL/3AS	FYC S-50R	CXM50UURM	-	MCYRR 50 S	MYR50S	-

Metric	With Cage	With Inner Ring	Cylindrical OD	W/O Seals	52100				
C&H	INA · SKF	IKO · THK	NTN	NSK	KOYO	Torrington	McGill	Smith	Misumi
NATR5X	NATR5X		NATR5X	FYC -5	CXM5M		MCYRR 5 X	MYR5C	
NATR6X	NATR6X		NATR6X	FYC -6	CXM6M		MCYRR 6 X	MYR6C	
NATR8X	NATR8X		NATR8X	FYC -8	CXM8M		MCYRR 8 X	MYR8C	
NATR10X	NATR10X		NATR10X	FYC -10	CXM10M		MCYRR 10 X	MYR10C	
NATR12X	NATR12X		NATR12X	FYC -12	CXM12M		MCYRR 12 X	MYR12C	
NATR15X	NATR15X		NATR15X	FYC -15	CXM15M		MCYRR 15 X	MYR15C	
NATR17X	NATR17X		NATR17X	FYC -17	CXM17M		MCYRR 17 X	MYR17C	
NATR20X	NATR20X		NATR20X	FYC -20	CXM20M		MCYRR 20 X	MYR20C	
NATR25X	NATR25X		NATR25X	FYC -25	CXM25M		MCYRR 25 X	MYR25C	
NATR30X	NATR30X		NATR30X	FYC -30	CXM30M		MCYRR 30 X	MYR30C	
NATR35X	NATR35X		NATR35X	FYC -35	CXM35M		MCYRR 35 X	MYR35C	
NATR40X	NATR40X		NATR40X	FYC -40	CXM40M		MCYRR 40 X	MYR40C	
-	-		NATR45X	FYC -45	CXM45M		MCYRR 45 X	MYR45C	
NATR50X	NATR50X		NATR50X	FYC -50	CXM50M		MCYRR 50 X	MYR50C	

Metric	With Cage	With Inner Ring	Cylindrical OD	With Seals	52100				
C&H	INA · SKF	IKO · THK	NTN	NSK	KOYO	Torrington	McGill	Smith	Misumi
NATR5PPX	NATR5PPX		NATR5XLL/3AS	FYC S-5	CXM5UUM		MCYRR 5 SX	MYR5SC	
NATR6PPX	NATR6PPX		NATR6XLL/3AS	FYC S-6	CXM6UUM		MCYRR 6 SX	MYR6SC	
NATR8PPX	NATR8PPX		NATR8XLL/3AS	FYC S-8	CXM8UUM		MCYRR 8 SX	MYR8SC	
NATR10PPX	NATR10PPX		NATR10XLL/3AS	FYC S-10	CXM10UUM		MCYRR 10 SX	MYR10SC	
NATR12PPX	NATR12PPX		NATR12XLL/3AS	FYC S-12	CXM12UUM		MCYRR 12 SX	MYR12SC	
NATR15PPX	NATR15PPX		NATR15XLL/3AS	FYC S-15	CXM15UUM		MCYRR 15 SX	MYR15SC	
NATR17PPX	NATR17PPX		NATR17XLL/3AS	FYC S-17	CXM17UUM		MCYRR 17 SX	MYR17SC	
NATR20PPX	NATR20PPX		NATR20XLL/3AS	FYC S-20	CXM20UUM		MCYRR 20 SX	MYR20SC	
NATR25PPX	NATR25PPX		NATR25XLL/3AS	FYC S-25	CXM25UUM		MCYRR 25 SX	MYR25SC	
NATR30PPX	NATR30PPX		NATR30XLL/3AS	FYC S-30	CXM30UUM		MCYRR 30 SX	MYR30SC	
NATR35PPX	NATR35PPX		NATR35XLL/3AS	FYC S-35	CXM35UUM		MCYRR 35 SX	MYR35SC	
NATR40PPX	NATR40PPX		NATR40XLL/3AS	FYC S-40	CXM40UUM		MCYRR 40 SX	MYR40SC	
-	-		NATR45XLL/3AS	FYC S-45	CXM45UUM		MCYRR 45 SX	MYR45SC	
NATR50PPX	NATR50PPX		NATR50XLL/3AS	FYC S-50	CXM50UUM		MCYRR 50 SX	MYR50SC	

Shanghai Chenghui (C&H) Bearing Co., Ltd

2-1709, No 289, Zheqiao Road, Pudong, Shanghai, China

Tel: +86 (0) 21 5835 6710 Fax: +86 (0) 21 5835 6720

E-mail: [jason@chenghuibearing.com](mailto:jason@chenghuibearing.com) / [www.chenghuibearing.com](http://www.chenghuibearing.com)

Metric	W/O Cage	With Inner Ring	Crowned OD	W/O Seals	52100				
C&H	INA · SKF	IKO · THK	NTN	NSK	KOYO	Torrington	McGill	Smith	Misumi
NATV5	NATV5	NART5VR	NATV5/3AS	FYCR-5R	CYM5RM		MCYR 5	MYRV5	NARTRV5
NATV6	NATV6	NART6VR	NATV6/3AS	FYCR-6R	CYM6RM		MCYR 6	MYRV6	NARTRV6
NATV8	NATV8	NART8VR	NATV8/3AS	FYCR-8R	CYM8RM		MCYR 8	MYRV8	NARTRV8
NATV10	NATV10	NART10VR	NATV10/3AS	FYCR-10R	CYM10RM		MCYR 10	MYRV10	NARTRV10
NATV12	NATV12	NART12VR	NATV12/3AS	FYCR-12R	CYM12RM		MCYR 12	MYRV12	NARTRV12
NATV15	NATV15	NART15VR	NATV15/3AS	FYCR-15R	CYM15RM		MCYR 15	MYRV15	-
NATV17	NATV17	NART17VR	NATV17/3AS	FYCR-17R	CYM17RM		MCYR 17	MYRV17	-
NATV20	NATV20	NART20VR	NATV20/3AS	FYCR-20R	CYM20RM		MCYR 20	MYRV20	-
NATV25	NATV25	NART25VR	NATV25/3AS	FYCR-25R	CYM25RM		MCYR 25	MYRV25	-
NATV30	NATV30	NART30VR	NATV30/3AS	FYCR-30R	CYM30RM		MCYR 30	MYRV30	-
NATV35	NATV35	NART35VR	NATV35/3AS	FYCR-35R	CYM35RM		MCYR 35	MYRV35	-
NATV40	NATV40	NART40VR	NATV40/3AS	FYCR-40R	CYM40RM		MCYR 40	MYRV40	-
-	-	NART45VR	NATV45/3AS	FYCR-45R	CYM45RM		MCYR 45	MYRV45	-
NATV50	NATV50	NART50VR	NATV50/3AS	FYCR-50R	CYM50RM		MCYR 50	MYRV50	-

Metric	W/O Cage	With Inner Ring	Crowned OD	With Seals	52100				
C&H	INA · SKF	IKO · THK	NTN	NSK	KOYO	Torrington	McGill	Smith	Misumi
NATV5PP	NATV5PP	NART5VUUR	NATV5LL/3AS	FYCRS-5R	CYM5UURM		MCYR 5 S	MYRV5S	NARTV5
NATV6PP	NATV6PP	NART6VUUR	NATV6LL/3AS	FYCRS-6R	CYM6UURM		MCYR 6 S	MYRV6S	NARTV6
NATV8PP	NATV8PP	NART8VUUR	NATV8LL/3AS	FYCRS-8R	CYM8UURM		MCYR 8 S	MYRV8S	NARTV8
NATV10PP	NATV10PP	NART10VUUR	NATV10LL/3AS	FYCRS-10R	CYM10UURM		MCYR 10 S	MYRV10S	NARTV10
NATV12PP	NATV12PP	NART12VUUR	NATV12LL/3AS	FYCRS-12R	CYM12UURM		MCYR 12 S	MYRV12S	NARTV12
NATV15PP	NATV15PP	NART15VUUR	NATV15LL/3AS	FYCRS-15R	CYM15UURM		MCYR 15 S	MYRV15S	NARTV15
NATV17PP	NATV17PP	NART17VUUR	NATV17LL/3AS	FYCRS-17R	CYM17UURM		MCYR 17 S	MYRV17S	NARTV17
NATV20PP	NATV20PP	NART20VUUR	NATV20LL/3AS	FYCRS-20R	CYM20UURM		MCYR 20 S	MYRV20S	NARTV20
NATV25PP	NATV25PP	NART25VUUR	NATV25LL/3AS	FYCRS-25R	CYM25UURM		MCYR 25 S	MYRV25S	-
NATV30PP	NATV30PP	NART30VUUR	NATV30LL/3AS	FYCRS-30R	CYM30UURM		MCYR 30 S	MYRV30S	-
NATV35PP	NATV35PP	NART35VUUR	NATV35LL/3AS	FYCRS-35R	CYM35UURM		MCYR 35 S	MYRV35S	-
NATV40PP	NATV40PP	NART40VUUR	NATV40LL/3AS	FYCRS-40R	CYM40UURM		MCYR 40 S	MYRV40S	-
-	-	NART45VUUR	-	FYCRS-45R	CYM45UURM		MCYR 45 S	MYRV45S	-
NATV50PP	NATV50PP	NART50VUUR	NATV50LL/3AS	FYCRS-50R	CYM50UURM		MCYR 50 S	MYRV50S	-

Metric	W/O Cage	With Inner Ring	Cylindrical OD	W/O Seals	52100				
C&H	INA · SKF	IKO · THK	NTN	NSK	KOYO	Torrington	McGill	Smith	Misumi
NATV5X	NATV5X		NATV5X/3AS	FYCR-5	CYM5M		MCYR 5 X	MYRV5C	
NATV6X	NATV6X		NATV6X/3AS	FYCR-6	CYM6M		MCYR 6 X	MYRV6C	
NATV8X	NATV8X		NATV8X/3AS	FYCR-8	CYM8M		MCYR 8 X	MYRV8C	
NATV10X	NATV10X		NATV10X/3AS	FYCR-10	CYM10M		MCYR 10 X	MYRV10C	
NATV12X	NATV12X		NATV12X/3AS	FYCR-12	CYM12M		MCYR 12 X	MYRV12C	
NATV15X	NATV15X		NATV15X/3AS	FYCR-15	CYM15M		MCYR 15 X	MYRV15C	
NATV17X	NATV17X		NATV17X/3AS	FYCR-17	CYM17M		MCYR 17 X	MYRV17C	
NATV20X	NATV20X		NATV20X/3AS	FYCR-20	CYM20M		MCYR 20 X	MYRV20C	
NATV25X	NATV25X		NATV25X/3AS	FYCR-25	CYM25M		MCYR 25 X	MYRV25C	
NATV30X	NATV30X		NATV30X/3AS	FYCR-30	CYM30M		MCYR 30 X	MYRV30C	
NATV35X	NATV35X		NATV35X/3AS	FYCR-35	CYM35M		MCYR 35 X	MYRV35C	
NATV40X	NATV40X		NATV40X/3AS	FYCR-40	CYM40M		MCYR 40 X	MYRV40C	
-	-		NATV45X/3AS	FYCR-45	CYM45M		MCYR 45 X	MYRV45C	
NATV50X	NATV50X		NATV50X/3AS	FYCR-50	CYM50M		MCYR 50 X	MYRV50C	

Metric	W/O Cage	With Inner Ring	Cylindrical OD	With Seals	52100				
C&H	INA · SKF	IKO · THK	NTN	NSK	KOYO	Torrington	McGill	Smith	Misumi
NATV5PPX	NATV5PPX		NATV5XLL/3AS	FYCRS-5	CYM5UUM		MCYR 5 SX	MYRV5SC	
NATV6PPX	NATV6PPX		NATV6XLL/3AS	FYCRS-6	CYM6UUM		MCYR 6 SX	MYRV6SC	
NATV8PPX	NATV8PPX		NATV8XLL/3AS	FYCRS-8	CYM8UUM		MCYR 8 SX	MYRV8SC	
NATV10PPX	NATV10PPX		NATV10XLL/3AS	FYCRS-10	CYM10UUM		MCYR 10 SX	MYRV10SC	
NATV12PPX	NATV12PPX		NATV12XLL/3AS	FYCRS-12	CYM12UUM		MCYR 12 SX	MYRV12SC	
NATV15PPX	NATV15PPX		NATV15XLL/3AS	FYCRS-15	CYM15UUM		MCYR 15 SX	MYRV15SC	
NATV17PPX	NATV17PPX		NATV17XLL/3AS	FYCRS-17	CYM17UUM		MCYR 17 SX	MYRV17SC	
NATV20PPX	NATV20PPX		NATV20XLL/3AS	FYCRS-20	CYM20UUM		MCYR 20 SX	MYRV20SC	
NATV25PPX	NATV25PPX		NATV25XLL/3AS	FYCRS-25	CYM25UUM		MCYR 25 SX	MYRV25SC	
NATV30PPX	NATV30PPX		NATV30XLL/3AS	FYCRS-30	CYM30UUM		MCYR 30 SX	MYRV30SC	
NATV35PPX	NATV35PPX		NATV35XLL/3AS	FYCRS-35	CYM35UUM		MCYR 35 SX	MYRV35SC	
NATV40PPX	NATV40PPX		NATV40XLL/3AS	FYCRS-40	CYM40UUM		MCYR 40 SX	MYRV40SC	
-	-		-	FYCRS-45	CYM45UUM		MCYR 45 SX	MYRV45SC	
NATV50PPX	NATV50PPX		NATV50XLL/3AS	FYCRS-50	CYM50UUM		MCYR 50 SX	MYRV50SC	

**Shanghai Chenghui (C&H) Bearing Co., Ltd**

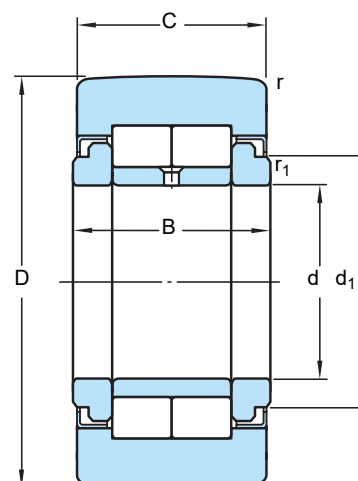
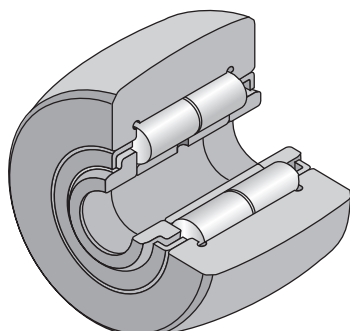
2-1709, No 289, Zheqiao Road, Pudong, Shanghai, China

Tel: +86 (0) 21 5835 6710 Fax: +86 (0) 21 5835 6720

E-mail: [jason@chenghuibearing.com](mailto:jason@chenghuibearing.com) / [www.chenghuibearing.com](http://www.chenghuibearing.com)

# Yoke type track rollers-NUTR

full complement cylindrical roller set, with inner ring, labyrinth seals on both sides



Part Number	Part Number	Dimensions									Basic load rating		Fatigue load limit	Maximum radial load		Limiting speed	Mass			
		D	d	B	C	d <sub>1</sub>	F	r <sub>min</sub>	r <sub>1 min</sub>	C	C <sub>0</sub>	P <sub>u</sub>	F <sub>r</sub>	F <sub>or</sub>	nD G	m				
Crowned OD	Cylindrical OD	mm															kN		r/min	kg
NUTR15	NUTR15X	35	15	19	18	20	19	0.6	0.3	16.8	17.6	2	8.65	12.2	5000	0.099				
NUTR1542	NUTR1542X	42	15	19	18	20	21.5	0.6	0.3	20.1	23.2	2.65	21.6	31	5000	0.158				
NUTR17	NUTR17X	40	17	21	20	22	19	1	0.5	19	22	2.5	14	20	4500	0.147				
NUTR1747	NUTR1747X	47	17	21	20	22	21.5	1	0.5	22	27	3.05	30	43	5000	0.22				
NUTR20	NUTR20X	47	20	25	24	27	25.5	1	0.5	28.6	33.5	3.9	17.6	25	3800	0.245				
NUTR2052	NUTR2052X	52	20	25	24	27	25.5	1	0.5	31.9	39	4.55	30	42.5	3800	0.321				
NUTR25	NUTR25X	52	25	25	24	31	30	1	0.5	29.7	36	4.25	18	25.5	3800	0.281				
NUTR2562	NUTR2562X	62	25	25	24	31	30	1	0.5	35.8	48	5.6	44	63	3800	0.45				
NUTR30	NUTR30X	62	30	29	28	38	35	1	0.5	41.3	47.5	5.85	24	34.5	2600	0.465				
NUTR3072	NUTR3072X	72	30	29	28	38	35	1	0.5	48.4	61	7.5	53	76.5	2600	0.697				
NUTR35	NUTR35X	72	35	29	28	44	41.5	1.1	0.6	45.7	57	6.95	33.5	47.5	2000	0.63				
NUTR3580	NUTR3580X	80	35	29	28	44	41.5	1.1	0.6	51.2	68	8.3	57	81.5	2000	0.836				
NUTR40	NUTR40X	80	40	32	30	51	47.5	1.1	0.6	57.2	72	9	32	45.5	1600	0.816				
NUTR4090	NUTR4090X	90	40	32	30	51	47.5	1.1	0.6	68.2	91.5	11.4	63	90	1600	1.129				
NUTR45	NUTR45X	85	45	32	30	55	52.5	1.1	0.6	58.3	75	9.3	32.5	46.5	1400	0.883				
NUTR45100	NUTR45100X	100	45	32	30	55	52.5	1.1	0.6	73.7	104	12.7	80	114	1400	1.396				
NUTR50	NUTR50X	90	50	32	30	60	57	1.1	0.6	58.3	78	9.65	32.5	47.5	1300	0.95				
NUTR50110	NUTR50110X	110	50	32	30	60	57	1.1	0.6	78.1	116	14.3	98	140	1300	1.69				

## Interchange

Features	C&H	INA · CR	SKF	IKO · THK	NTN	McGill	Smith	FAG(old)	Koyo-Torrington
Crowned OD	NUTR	NATR	NUTR..A	NURT..R	NUTR../3AS	MCYRD	MUTD	NUTD	NUTR
cylindrical OD	NUTR..X	NUTR..X	NUTR..X	NURT	NUTR X/3AS	MCYRD..X	MUTD..C	NUTD..DZ	NUTR..DZ

## Shanghai Chenghui (C&H) Bearing Co., Ltd

2-1709, No 289, Zheqiao Road, Pudong, Shanghai, China

Tel: +86 (0) 21 5835 6710 Fax: +86 (0) 21 5835 6720

E-mail: [jason@chenghuibearing.com](mailto:jason@chenghuibearing.com) / [www.chenghuibearing.com](http://www.chenghuibearing.com)

Features	C&H	INA · CR	SKF	IKO · THK	NTN	McGill	Smith	FAG(old)	Koyo-Torrington
Crowned OD	NUTR	NATR	NUTR..A	NURT..R	NUTR../3AS	MCYRD	MUTD	NUTD	NUTR
cylindrical OD	NUTR..X	NUTR..X	NUTR..X	NURT	NUTR X/3AS	MCYRD..X	MUTD..C	NUTD..DZ	NUTR..DZ

## Crowned OD

C&H	INA · CR	SKF	IKO · THK	NTN	Koyo · Torrington	McGill	Smith	FAG (old)
NUTR15	NUTR15	NUTR 15 A	NURT15R	NUTR202/3AS	NUTR 15	MCYRD15	MUTD15	NUTD 15
NUTR1542	NUTR1542	NUTR 1542 A	NURT15-1R	NUTR303/3AS	NUTR 1542		MUTD15-1	NUTD 1542
NUTR17	NUTR17	NUTR 17 A	NURT17R	NUTR203/3AS	NUTR 17	MCYRD17	MUTD17	NUTD 17
NUTR1747	NUTR1747	NUTR 1747 A	NURT17-1R	NUTR303/3AS	NUTR 1747		MUTD17-1	NUTD 1747
NUTR20	NUTR20	NUTR 20 A	NURT20R	NUTR204/3AS	NUTR 20	MCYRD20	MUTD20	NUTD 20
NUTR2052	NUTR2052	NUTR 2052 A	NURT20-1R	NUTR304/3AS	NUTR 2052		MUTD20-1	NUTD 2052
NUTR25	NUTR25	NUTR 25 A	NURT25R	NUTR205/3AS	NUTR 25	MCYRD25	MUTD25	NUTD 25
NUTR2562	NUTR2562	NUTR 2562 A	NURT25-1R	NUTR305/3AS	NUTR 2562		MUTD25-1	NUTD 2562
NUTR30	NUTR30	NUTR 30 A	NURT30R	NUTR206/3AS	NUTR 30	MCYRD30	MUTD30	NUTD 30
NUTR3072	NUTR3072	NUTR 3072 A	NURT30-1R	NUTR306/3AS	NUTR 3072		MUTD30-1	NUTD 3072
NUTR35	NUTR35	NUTR 35 A	NURT35R	NUTR207/3AS	NUTR 35	MCYRD35	MUTD35	NUTD 35
NUTR3580	NUTR3580	NUTR 3580 A	NURT35-1R	NUTR307/3AS	NUTR 3580		MUTD35-1	NUTD 3580
NUTR40	NUTR40	NUTR 40 A	NURT40R	NUTR208/3AS	NUTR 40	MCYRD40	MUTD40	NUTD 40
NUTR4090	NUTR4090	NUTR 4090 A	NURT40-1R	NUTR308/3AS	NUTR 4090		MUTD40-1	NUTD 4090
NUTR45	NUTR45	NUTR 45 A	NURT45R	NUTR209/3AS	NUTR 45	MCYRD45	MUTD45	NUTD 45
NUTR45100	NUTR45100	NUTR 45100 A	NURT45-1R	NUTR309/3AS	NUTR 45100		MUTD45-1	NUTD 45100
NUTR50	NUTR50	NUTR 50 A	NURT50R	NUTR210/3AS	NUTR 50	MCYRD50	MUTD50	NUTD 50
NUTR50110	NUTR50110	NUTR 50110 A	NURT50-1R	NUTR310/3AS	NUTR 50110		MUTD50-1	NUTD 50110

## Cylindrical OD

C&H	INA · CR	SKF	IKO · THK	NTN	Koyo · Torrington	McGill	Smith	FAG (old)
NUTR15X	NUTR15X	NUTR 15 X	NURT15	NUTR202X/3AS	NUTR 15 DZ	MCYRD15X	MUTD15C	NUTD 15 DZ
NUTR1542X	NUTR1542X	NUTR 1542 X	NURT15-1	NUTR303X/3AS	NUTR 1542 DZ		MUTD15-1C	NUTD 1542 DZ
NUTR17X	NUTR17X	NUTR 17 X	NURT17	NUTR203X/3AS	NUTR 17 DZ	MCYRD17X	MUTD17C	NUTD 17 DZ
NUTR1747X	NUTR1747X	NUTR 1747 X	NURT17-1	NUTR303X/3AS	NUTR 1747 DZ		MUTD17-1C	NUTD 1747 DZ
NUTR20X	NUTR20X	NUTR 20 X	NURT20	NUTR204X/3AS	NUTR 20 DZ	MCYRD20X	MUTD20C	NUTD 20 DZ
NUTR2052X	NUTR2052X	NUTR 2052 X	NURT20-1	NUTR304X/3AS	NUTR 2052 DZ		MUTD20-1C	NUTD 2052 DZ
NUTR25X	NUTR25X	NUTR 25 X	NURT25	NUTR205X/3AS	NUTR 25 DZ	MCYRD25X	MUTD25C	NUTD 25 DZ
NUTR2562X	NUTR2562X	NUTR 2562 X	NURT25-1	NUTR305X/3AS	NUTR 2562 DZ		MUTD25-1C	NUTD 2562 DZ
NUTR30X	NUTR30X	NUTR 30 X	NURT30	NUTR206X/3AS	NUTR 30 DZ	MCYRD30X	MUTD30C	NUTD 30 DZ
NUTR3072X	NUTR3072X	NUTR 3072 X	NURT30-1	NUTR306X/3AS	NUTR 3072 DZ		MUTD30-1C	NUTD 3072 DZ
NUTR35X	NUTR35X	NUTR 35 X	NURT35	NUTR207X/3AS	NUTR 35 DZ	MCYRD35X	MUTD35C	NUTD 35 DZ
NUTR3580X	NUTR3580X	NUTR 3580 X	NURT35-1	NUTR307X/3AS	NUTR 3580 DZ		MUTD35-1C	NUTD 3580 DZ
NUTR40X	NUTR40X	NUTR 40 X	NURT40	NUTR208X/3AS	NUTR 40 DZ	MCYRD40X	MUTD40C	NUTD 40 DZ
NUTR4090X	NUTR4090X	NUTR 4090 X	NURT40-1	NUTR308X/3AS	NUTR 4090 DZ		MUTD40-1C	NUTD 4090 DZ
NUTR45X	NUTR45X	NUTR 45 X	NURT45	NUTR209X/3AS	NUTR 45 DZ	MCYRD45X	MUTD45C	NUTD 45 DZ
NUTR45100X	NUTR45100X	NUTR 45100 X	NURT45-1	NUTR309X/3AS	NUTR 45100 DZ		MUTD45-1C	NUTD 45100 DZ
NUTR50X	NUTR50X	NUTR 50 X	NURT50	NUTR210X/3AS	NUTR 50 DZ	MCYRD50X	MUTD50C	NUTD 50 DZ
NUTR50110X	NUTR50110X	NUTR 50110 X	NURT50-1	NUTR310X/3AS	NUTR 50110 DZ		MUTD50-1C	NUTD 50110 DZ

**Shanghai Chenghui (C&H) Bearing Co., Ltd**

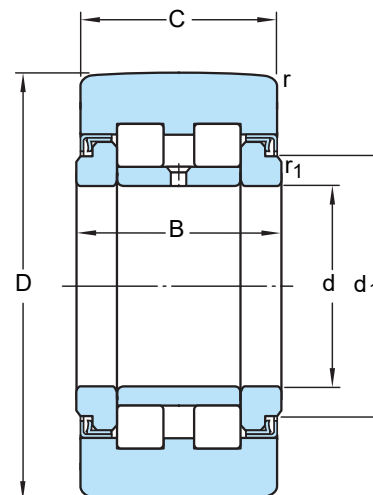
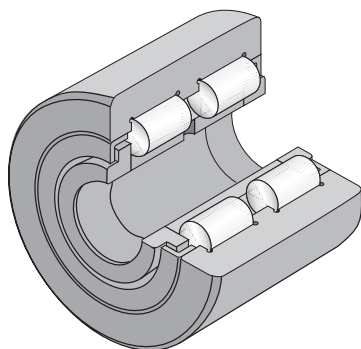
2-1709, No 289, Zheqiao Road, Pudong, Shanghai, China

Tel: +86 (0) 21 5835 6710 Fax: +86 (0) 21 5835 6720

E-mail: [jason@chenghuibearing.com](mailto:jason@chenghuibearing.com) / [www.chenghuibearing.com](http://www.chenghuibearing.com)

# Yoke type track rollers-PWTR

full complement cylindrical roller set, with inner ring, lip seals on both sides



Part Number	Dimensions								Basic load rating		Fatigue load limit	Maximum radial load		Limiting speed	Mass
	D	d	B	C	d <sub>1</sub>	F	r <sub>min</sub>	r <sub>1 min</sub>	C	C <sub>0</sub>	P <sub>u</sub>	F <sub>r</sub>	F <sub>Or</sub>	nD G	m
	mm								kN					r/min	kg
PWTR15-2RS	35	15	19	18	20	19	0.6	0.3	11.9	11.4	1.2	8.65	12.5	6000	0.099
PWTR1542-2RS	42	15	19	18	20	21.5	0.6	0.3	14.2	15	1.6	22	31.5	5000	0.158
PWTR17-2RS	40	17	21	20	22	19	1	0.5	13.8	14.3	1.5	13.7	19.6	6000	0.147
PWTR1747-2RS	47	17	21	20	22	21.5	1	0.5	15.7	17.6	1.86	30	42.5	5000	0.22
PWTR20-2RS	47	20	25	24	27	25.5	1	0.5	22.9	24.5	2.8	18.3	26	3800	0.245
PWTR2052-2RS	52	20	25	24	27	25.5	1	0.5	25.5	29	3.35	30.5	44	3800	0.321
PWTR25-2RS	52	25	25	24	31	30	1	0.5	23.8	26.5	3.05	18.6	26.5	3800	0.281
PWTR2562-2RS	62	25	25	24	31	30	1	0.5	29.2	36	4.05	45	64	3800	0.45
PWTR30-2RS	62	30	29	28	38	35	1	0.5	31.9	32.5	4.05	20.4	29	2200	0.465
PWTR3072-2RS	72	30	29	28	38	35	1	0.5	39.6	45	5.6	47.5	68	2200	0.697
PWTR35-2RS	72	35	29	28	44	41.5	1.1	0.6	35.8	40.5	5	28	40	1800	0.63
PWTR3580-2RS	80	35	29	28	44	41.5	1.1	0.6	41.8	50	6.3	51	72	1800	0.836
PWTR40-2RS	80	40	32	30	51	47.5	1.1	0.6	41.8	49	6	33.5	48	1500	0.816
PWTR4090-2RS	90	40	32	30	51	47.5	1.1	0.6	49.5	62	7.65	64	91.5	1300	1.129
PWTR45-2RS	85	45	32	30	55	52.5	1.1	0.6	42.9	50	6.2	34	48	1500	0.883
PWTR45100-2RS	100	45	32	30	55	52.5	1.1	0.6	53.9	69.5	8.65	81.5	116	1100	1.396
PWTR50-2RS	90	50	32	30	60	57	1.1	0.6	42.9	52	6.55	34.5	49	1300	0.95
PWTR50110-2RS	110	50	32	30	60	57	1.1	0.6	57.2	78	9.65	100	143	1100	1.69

Shanghai Chenghui (C&H) Bearing Co., Ltd

2-1709, No 289, Zheqiao Road, Pudong, Shanghai, China

Tel: +86 (0) 21 5835 6710 Fax: +86 (0) 21 5835 6720

E-mail: [jason@chenghuibearing.com](mailto:jason@chenghuibearing.com) / [www.chenghuibearing.com](http://www.chenghuibearing.com)

C&H	INA	SKF · CR	C&H	INA
PWTR15-2RS	PWTR 15-2RS-XL	PWTR15-2RS	PWTR15-2RS-RR-XL	PWTR15-2RS-RR-XL
PWTR1542-2RS	PWTR 1542-2RS-XL	PWTR1542-2RS	PWTR1542-2RS-RR-XL	PWTR1542-2RS-RR-XL
PWTR17-2RS	PWTR 17-2RS-XL	PWTR17-2RS	PWTR17-2RS-RR-XL	PWTR17-2RS-RR-XL
PWTR1747-2RS	PWTR 1747-2RS-XL	PWTR1747-2RS	PWTR1747-2RS-RR-XL	PWTR1747-2RS-RR-XL
PWTR20-2RS	PWTR 20-2RS-XL	PWTR20-2RS	PWTR20-2RS-RR-XL	PWTR20-2RS-RR-XL
PWTR2052-2RS	PWTR 2052-2RS-XL	PWTR2052-2RS	PWTR2052-2RS-RR-XL	PWTR2052-2RS-RR-XL
PWTR25-2RS	PWTR 25-2RS-XL	PWTR25-2RS	PWTR25-2RS-RR-XL	PWTR25-2RS-RR-XL
PWTR2562-2RS	PWTR 2562-2RS-XL	PWTR2562-2RS	PWTR2562-2RS-RR-XL	PWTR2562-2RS-RR-XL
PWTR30-2RS	PWTR 30-2RS-XL	PWTR30-2RS	PWTR30-2RS-RR-XL	PWTR30-2RS-RR-XL
PWTR3072-2RS	PWTR 3072-2RS-XL	PWTR3072-2RS	PWTR3072-2RS-RR-XL	PWTR3072-2RS-RR-XL
PWTR35-2RS	PWTR 35-2RS-XL	PWTR35-2RS	PWTR35-2RS-RR-XL	PWTR35-2RS-RR-XL
PWTR3580-2RS	PWTR 3580-2RS-XL	PWTR3580-2RS	PWTR3580-2RS-RR-XL	PWTR3580-2RS-RR-XL
PWTR40-2RS	PWTR 40-2RS-XL	PWTR40-2RS	PWTR40-2RS-RR-XL	PWTR40-2RS-RR-XL
PWTR4090-2RS	PWTR 4090-2RS-XL	PWTR4090-2RS	PWTR4090-2RS-RR-XL	PWTR4090-2RS-RR-XL
PWTR45-2RS	PWTR 45-2RS-XL	PWTR45-2RS	PWTR45-2RS-RR-XL	PWTR45-2RS-RR-XL
PWTR45100-2RS	PWTR 45100-2RS-XL	PWTR45100-2RS	PWTR45100-2RS-RR-XL	PWTR45100-2RS-RR-XL
PWTR50-2RS	PWTR 50-2RS-XL	PWTR50-2RS	PWTR50-2RS-RR-XL	PWTR50-2RS-RR-XL
PWTR50110-2RS	PWTR 50110-2RS-XL	PWTR50110-2RS	PWTR50110-2RS-RR-XL	PWTR50110-2RS-RR-XL

RR-special coating for corrosion resistance

**Shanghai Chenghui (C&H) Bearing Co., Ltd**

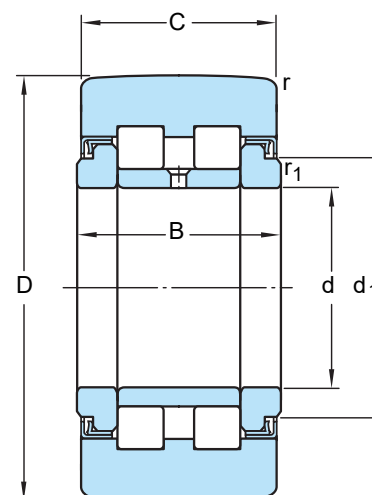
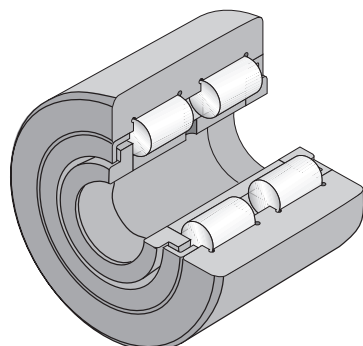
2-1709, No 289, Zheqiao Road, Pudong, Shanghai, China

Tel: +86 (0) 21 5835 6710 Fax: +86 (0) 21 5835 6720

E-mail: [jason@chenghuibearing.com](mailto:jason@chenghuibearing.com) / [www.chenghuibearing.com](http://www.chenghuibearing.com)

# Yoke type track rollers-NNTR

Full complement cylindrical roller set, with inner ring, central rib, sealing shields with lamellar ring on both sides



Part Number	Dimensions								Basic load rating		Fatigue load limit	Maximum radial load		Limiting speed	Dia. Oil hole	Num. of oil holes	Radius of outer ring outside profile		Mass
	d	D	B	C	d <sub>1</sub>	D <sub>1</sub>	r <sub>min</sub>	r <sub>1 min</sub>	C	C <sub>0</sub>		P <sub>u</sub>	F <sub>r</sub>				F <sub>or</sub>	nD G	
	mm										kN			r/min		mm	kg		
NNTR50X130X65-2ZL	50	130	65	63	63	80	3	2	193	265	37	265	265	1100	3	3	10000	5.2	
NNTR55X140X70-2ZL	55	140	70	68	73	91	3	2	226	315	44	280	315	850	4	3	10000	6.4	
NNTR60X150X75-2ZL	60	150	75	73	78	97	3	2	255	365	53	330	365	800	4	3	10000	7.8	
NNTR65X160X75-2ZL	65	160	75	73	82	103	3	2	280	395	56	350	395	700	5	3	10000	8.8	
NNTR70X180X85-2ZL	70	180	85	83	92	115	3	2	355	510	75	465	510	600	5	3	10000	13	
NNTR80X200X90-2ZL	80	200	90	88	102	127	4	2	415	610	87	550	610	500	5	3	10000	16.8	
NNTR90X220X100-2ZL	90	220	100	98	119	146	4	2.5	500	750	104	600	750	400	5	3	10000	22.5	
NNTR100X240X105-2ZL	100	240	105	103	132	160	4	2.5	560	870	118	710	870	340	6	6	10000	28	
NNTR110X260X115-2ZL	110	260	115	113	143	174	4	2.5	670	1050	143	820	1050	300	6	6	10000	35.6	
NNTR120X290X135-2ZL	120	290	135	133	155	191	4	3	880	1400	187	1110	1400	260	8	6	15000	52.8	
NNTR130X310X146-2ZL	130	310	146	144	165	204	5	3	1010	1630	216	1280	1630	240	8	6	15000	65.2	
NNTR140X340X162-2ZL	140	340	162	160	186	228	4	4	1200	1970	265	1450	1970	200	8	6	15000	87.2	
NNTR150X360X173-2ZL	150	360	173	171	185	-	-	-	1370	2170	282	1810	2950	180	8	8	15000	104	

1. Material:

- Outer ring - 16NiCr4 (1.5714), casehardened, surface hardness 60 ± 2 HRC
- Inner ring - 16NiCr4 (1.5714), casehardened, surface hardness 60 ± 2 HRC
- Thrust washer - 18NiCrMo5(1.6566), casehardened, surface hardness 60 ± 2 HRC
- Spacers - 100Cr6, hardened, surface hardness 60 ± 2 HRC
- Rollers - 100Cr6, hardened, surface hardness 60 ± 2 HRC

2. Tolerance and Clearance are in accordance with DIN620.

3. Load ratings are in accordance with ISO76 and ISO281.

Shanghai Chenghui (C&H) Bearing Co., Ltd

2-1709, No 289, Zheqiao Road, Pudong, Shanghai, China

Tel: +86 (0) 21 5835 6710 Fax: +86 (0) 21 5835 6720

E-mail: jason@chenghuibearing.com / www.chenghuibearing.com

C&H	INA	SKF	CR
NNTR50X130X65-2ZL	NNTR50X130X65-2ZL	NNTR 50x130x65.2ZL	RSU 50-130
NNTR55X140X70-2ZL	NNTR55X140X70-2ZL	NNTR 60x150x75.2ZL	RSU 55-140
NNTR60X150X75-2ZL	NNTR60X150X75-2ZL	NNTR 80x200x90.2ZL	RSU 60-150
NNTR65X160X75-2ZL	NNTR65X160X75-2ZL	NNTR 70x180x85.2ZL	RSU 65-160
NNTR70X180X85-2ZL	NNTR70X180X85-2ZL	NNTR 65x160x75.2ZL	RSU 70-180
NNTR80X200X90-2ZL	NNTR80X200X90-2ZL	NNTR 90x220x100.2ZL	RSU 80-200
NNTR90X220X100-2ZL	NNTR90X220X100-2ZL	NNTR 100x240x105.2ZL	RSU 90-220
NNTR100X240X105-2ZL	NNTR100X240X105-2ZL	NNTR 120x290x135.2ZL	RSU 100-240
NNTR110X260X115-2ZL	NNTR110X260X115-2ZL	NNTR 55x140x70.2ZL	RSU 110-260
NNTR120X290X135-2ZL	NNTR120X290X135-2ZL	NNTR 110x260x115.2ZL	RSU 120-290
NNTR130X310X146-2ZL	NNTR130X310X146-2ZL	NNTR 130x310x146.2ZL	RSU 130-310
NNTR140X340X162-2ZL	NNTR140X340X162-2ZL	-	RSU 140-340
NNTR150X360X173-2ZL	NNTR150X360X173-2ZL	-	RSU 150-360

Shanghai Chenghui (C&H) Bearing Co., Ltd  
 2-1709, No 289, Zheqiao Road, Pudong, Shanghai, China  
 Tel: +86 (0) 21 5835 6710 Fax: +86 (0) 21 5835 6720  
 E-mail: [jason@chenghuibearing.com](mailto:jason@chenghuibearing.com) / [www.chenghuibearing.com](http://www.chenghuibearing.com)



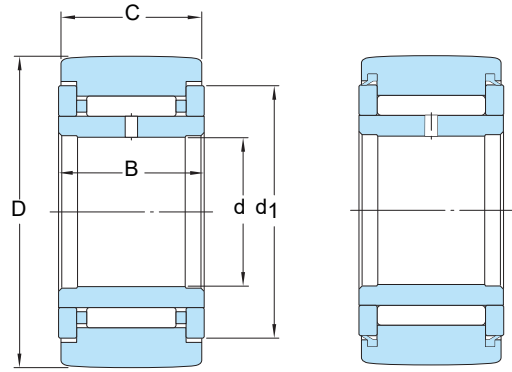
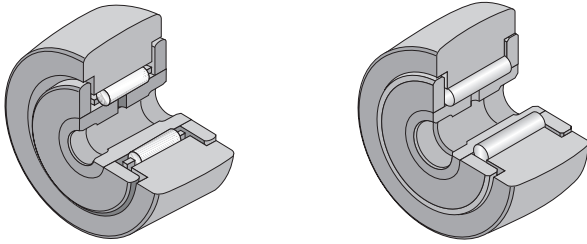
# Yoke type track rollers-CYR



C&H  
BEARING

with inner ring and axial plain washer

D 0.75 – 10 inch



Part Number			Dimensions								Oil hole dia	Basic load rating		Limiting speed	Mass	Recommended Shaft Diameters			Radius of outer ring outside profile
Cylindrical OD w/o seals	Cylindrical OD with seals	Crowned OD with seals	D		d		C	B	d1	r <sub>min</sub>	d3	C	C <sub>0</sub>	nD G	m	Push Fit	Drive Fit	Press Fit	R
			+0.000 -0.001 inch	Nom.	Tol.	+0.000 -0.005	+0.005 -0.01		for cyl. OD	ref.	lbs		1/min	lb	Nom	Nom	Nom	Tol	for crowned OD
CYR 3/4	CYR 3/4 S	CCYR 3/4 S	0.75	0.25			0.5	0.5625	12.5	0.02	0.09	1660	4130	6400	0.06	0.2495	0.2501	0.2503	10
CYR 7/8	CYR 7/8 S	CCYR 7/8 S	0.875	0.25			0.5	0.5625	12.5	0.02	0.09	1660	4130	5400	0.08	0.2495	0.2501	0.2503	10
CYR 1	CYR 1 S	CCYR 1 S	1	0.3125			0.625	0.6875	15	0.03	0.09	2225	6120	4800	0.15	0.312	0.3126	0.3128	12
CYR 1 1/8	CYR 1 1/8 S	CCYR 1 1/8 S	1.125	0.3125			0.625	0.6875	15	0.03	0.09	2225	6120	3400	0.17	0.312	0.3126	0.3128	12
CYR 1 1/4	CYR 1 1/4 S	CCYR 1 1/4 S	1.25	0.375			0.75	0.8125	19	0.03	0.09	3930	8500	3100	0.24	0.3745	0.3751	0.3753	14
CYR 1 3/8	CYR 1 3/8 S	CCYR 1 3/8 S	1.375	0.375			0.75	0.8125	19	0.05	0.09	3930	8500	2800	0.3	0.3745	0.3751	0.3753	14
CYR 1 1/2	CYR 1 1/2 S	CCYR 1 1/2 S	1.5	0.4375	+0.002 -0.004		0.875	0.9375	23	0.06	0.09	4840	11280	2500	0.41	0.437	0.4376	0.4378	20
CYR 1 5/8	CYR 1 5/8 S	CCYR 1 5/8 S	1.625	0.4375			0.875	0.9375	23	0.06	0.09	4840	11280	2350	0.5	0.437	0.4376	0.4378	20
CYR 1 3/4	CYR 1 3/4 S	CCYR 1 3/4 S	1.75	0.5			1	1.0625	25	0.06	0.09	6385	15840	2200	0.64	0.4995	0.5001	0.5005	20
CYR 1 7/8	CYR 1 7/8 S	CCYR 1 7/8 S	1.875	0.5			1	1.0625	25	0.06	0.09	6385	15840	2000	0.8	0.4995	0.5001	0.5005	20
CYR 2	CYR 2 S	CCYR 2 S	2	0.625			1.25	1.3125	27.6	0.09	0.13	8090	21140	1400	1.05	0.6245	0.6245	0.6245	24
CYR 2 1/4	CYR 2 1/4 S	CCYR 2 1/4 S	2.25	0.625			1.25	1.3125	27.6	0.09	0.13	8090	21140	1300	1.32	0.6245	0.6251	0.6255	24
CYR 2 1/2	CYR 2 1/2 S	CCYR 2 1/2 S	2.5	0.75			1.5	1.5625	31.5	0.09	0.13	11720	32900	1100	1.8	0.7495	0.7501	0.75015	30
CYR 2 3/4	CYR 2 3/4 S	CCYR 2 3/4 S	2.75	0.75			1.5	1.5625	31.5	0.09	0.13	11720	32900	1050	2.25	0.7495	0.7501	0.75015	30
CYR 3	CYR 3 S	CCYR 3 S	3	1			1.75	1.8125	36.5	0.13	0.13	15720	49820	950	3.1	0.9994	1.0002	1.0006	30
CYR 3 1/4	CYR 3 1/4 S	CCYR 3 1/4 S	3.25	1			1.75	1.8125	36.5	0.13	0.13	15720	49820	880	3.62	0.9994	1.0002	1.0006	30
CYR 3 1/2	CYR 3 1/2 S	CCYR 3 1/2 S	3.5	1.125			2	2.0625	41.5	0.13	0.13	22800	63250	820	4.95	1.1244	1.1252	1.1256	30
CYR 4	CYR 4 S	CCYR 4 S	4	1.25	+0.001 -0.005		2.25	2.3125	41.5	0.13	0.13	29985	89540	700	7.05	1.2494	1.2502	1.2506	30
-	CYR 5 S	CCYR 5 S	5	1.75			2.75	2.875	51	0.13	0.19	46575	135900	575	14.34	1.7494	1.7502	1.7506	48
-	CYR 6 S	CCYR 6 S	6	2.25			3.25	3.375	51	0.13	0.19	60000	160900	475	20.16	2.2494	2.2502	2.2506	56
-	CYR 7 S	CCYR 7 S	7	2.75			3.75	3.875	58	0.13	0.19	75380	213860	400	32.43	2.7494	2.7502	2.7506	60
-	CYR 8 S	CCYR 8 S	8	3.255			4.25	4.5	58	0.22	0.25	92200	288200	350	47.3	3.2545	3.256	3.2565	40
-	CYR 9 S	CCYR 9 S	9	3.755	+0.001 -0.000		4.75	5	66	0.25	0.31	113260	366850	300	65.7	3.7545	3.756	3.7565	40
-	CYR 10 S	CCYR 10 S	10	4.255			5.25	5.5	66	0.28	0.38	131545	431130	275	89.2	4.2545	4.256	4.2565	40

Note: Available X105CrMo17/1.4125/440 or X20Cr13/1.4021/420 stainless steel.

## Interchange

Features	C&H	McGill	Smith	Torrington NSK	RBC	INA	IKOTHK	NTN
Cylindrical OD, without seal	CYR	CYR	YR	YCR	Y	RF	CRY..V	NACV..X/3AS
Cylindrical OD, with seal	CYR...S	CYR...S	YR...X	YCRS	Y..L	RF...PP	CRY..VUU	NACV..XLL/3AS
Crowned OD, without seal	CCYR	CCYR	YR...C	YCRC	CY	RF...Y	CRY..VR	NACV../3AS
Crowned OD, with seal	CCYR...S	CCYR...S	YR...XC	YCRSC	CY...L	PF...PPY	CRY..VUUR	NACV..LL/3AS
Stainless steel, Cylindrical, with seal	CYR...S-CR	CYR...S-CR	YR...X-SS	-	-	-	-	-

Shanghai Chenghui (C&H) Bearing Co., Ltd

2-1709, No 289, Zheqiao Road, Pudong, Shanghai, China

Tel: +86 (0) 21 5835 6710 Fax: +86 (0) 21 5835 6720

E-mail: jason@chenghuibearing.com / www.chenghuibearing.com

# Interchange of CYR, CYR..S



Inch	W/O Cage	With Inner Ring	Cylindrical OD	W/O Seals	52100 Steel		
C&H	McGill	Smith	Torrington NSK	RBC	INA	IKO	NTN
CYR 3/4	CYR- 3/4	YR- 3/4	YCR-12	Y24	RF-12	CRY12 V	NACV12X/3AS
CYR 7/8	CYR- 7/8	YR- 7/8	YCR-14	Y28	RF-14	CRY14 V	NACV14X/3AS
CYR 1	CYR-1	YR-1	YCR-16	Y32	RF-16	CRY16 V	NACV16X/3AS
CYR 1 1/8	CYR-1 1/8	YR-1 1/8	YCR-18	Y36	RF-18	CRY18 V	NACV18X/3AS
CYR 1 1/4	CYR-1 1/4	YR-1 1/4	YCR-20	Y40	RF-20	CRY20 V	NACV20X/3AS
CYR 1 3/8	CYR-1 3/8	YR-1 3/8	YCR-22	Y44	RF-22	CRY22 V	NACV22X/3AS
CYR 1 1/2	CYR-1 1/2	YR-1 1/2	YCR-24	Y48	RF-24	CRY24 V	NACV24X/3AS
CYR 1 5/8	CYR-1 5/8	YR-1 5/8	YCR-26	Y52	RF-26	CRY26 V	NACV26X/3AS
CYR 1 3/4	CYR-1 3/4	YR-1 3/4	YCR-28	Y56	RF-28	CRY28 V	NACV28X/3AS
CYR 1 7/8	CYR-1 7/8	YR-1 7/8	YCR-30	Y60	RF-30	CRY30 V	NACV30X/3AS
CYR 2	CYR-2	YR-2	YCR-32	Y64	RF-32	CRY32 V	NACV32X/3AS
CYR 2 1/4	CYR-2 1/4	YR-2 1/4	YCR-36	Y72	RF-36	CRY36 V	NACV36X/3AS
CYR 2 1/2	CYR-2 1/2	YR-2 1/2	YCR-40	Y80	RF-40	CRY40 V	NACV40X/3AS
CYR 2 3/4	CYR-2 3/4	YR-2 3/4	YCR-44	Y88	RF-44	CRY44 V	NACV44X/3AS
CYR 3	CYR-3	YR-3	YCR-48	Y96	RF-48	CRY48 V	NACV48X/3AS
CYR 3 1/4	CYR-3 1/4	YR-3 1/4	YCR-52	Y104	RF-52	CRY52 V	NACV52X/3AS
CYR 3 1/2	CYR-3 1/2	YR-3 1/2	YCR-56	Y112	RF-56	CRY56 V	NACV56X/3AS
CYR 4	CYR-4	YR-4	YCR-64	Y128	RF-64	CRY64 V	NACV64X/3AS
CYR 5				Y160	RF-80		NACV80X/3AS
CYR 6				Y192	RF-96		NACV96X/3AS
CYR 7				Y224			

Inch	W/O Cage	With Inner Ring	Cylindrical OD	With Seals	52100 Steel		
C&H	McGill	Smith	Torrington NSK	RBC	INA	IKO	NTN
CYR 3/4 S	CYR 3/4 S	YR-3/4X	YCRS-12	Y24L	RF-12-PP	CRY12 VUU	NACV12XLL/3AS
CYR 7/8 S	CYR 7/8 S	YR-7/8X	YCRS-14	Y28L	RF-14-PP	CRY14 VUU	NACV14XLL/3AS
CYR 1 S	CYR 1 S	YR-1X	YCRS-16	Y32L	RF-16-PP	CRY16 VUU	NACV16XLL/3AS
CYR 1 1/8 S	CYR 1 1/8 S	YR-1 1/8X	YCRS-18	Y36L	RF-18-PP	CRY18 VUU	NACV18XLL/3AS
CYR 1 1/4 S	CYR 1 1/4 S	YR-1 1/4X	YCRS-20	Y40L	RF-20-PP	CRY20 VUU	NACV20XLL/3AS
CYR 1 3/8 S	CYR 1 3/8 S	YR-1 3/8X	YCRS-22	Y44L	RF-22-PP	CRY22 VUU	NACV22XLL/3AS
CYR 1 1/2 S	CYR 1 1/2 S	YR-1 1/2X	YCRS-24	Y48L	RF-24-PP	CRY24 VUU	NACV24XLL/3AS
CYR 1 5/8 S	CYR 1 5/8 S	YR-1 5/8X	YCRS-26	Y52L	RF-26-PP	CRY26 VUU	NACV26XLL/3AS
CYR 1 3/4 S	CYR 1 3/4 S	YR-1 3/4X	YCRS-28	Y56L	RF-28-PP	CRY28 VUU	NACV28XLL/3AS
CYR 1 7/8 S	CYR 1 7/8 S	YR-1 7/8X	YCRS-30	Y60L	RF-30-PP	CRY30 VUU	NACV30XLL/3AS
CYR 2 S	CYR 2 S	YR-2X	YCRS-32	Y64L	RF-32-PP	CRY32 VUU	NACV32XLL/3AS
CYR 2 1/4 S	CYR 2 1/4 S	YR-2 1/4X	YCRS-36	Y72L	RF-36-PP	CRY36 VUU	NACV36XLL/3AS
CYR 2 1/2 S	CYR 2 1/2 S	YR-2 1/2X	YCRS-40	Y80L	RF-40-PP	CRY40 VUU	NACV40XLL/3AS
CYR 2 3/4 S	CYR 2 3/4 S	YR-2 3/4X	YCRS-44	Y88L	RF-44-PP	CRY44 VUU	NACV44XLL/3AS
CYR 3 S	CYR 3 S	YR-3X	YCRS-48	Y96L	RF-48-PP	CRY48 VUU	NACV48XLL/3AS
CYR 3 1/4 S	CYR 3 1/4 S	YR-3 1/4X	YCRS-52	Y104L	RF-52-PP	CRY52 VUU	NACV52XLL/3AS
CYR 3 1/2 S	CYR 3 1/2 S	YR-3 1/2X	YCRS-56	Y112L	RF-56-PP	CRY56 VUU	NACV56XLL/3AS
CYR 4 S	CYR 4 S	YR-4X	YCRS-64	Y128L	RF-64-PP	CRY64 VUU	NACV64XLL/3AS
CYR 5 S	CYR 5 S	YR-5X	YCRS-80	Y160L	RF-80-PP		NACV80XLL/3AS
CYR 6 S	CYR 6 S	YR-6X	YCRS-96	Y192L	RF-96-PP		NACV96XLL/3AS
CYR 7 S	CYR 7 S		YCRS-112	Y224L			
CYR 8 S	CYR 8 S						
CYR 9 S	CYR 9 S						
CYR 10 S	CYR 10 S						

Shanghai Chenghui (C&H) Bearing Co., Ltd

2-1709, No 289, Zheqiao Road, Pudong, Shanghai, China

Tel: +86 (0) 21 5835 6710 Fax: +86 (0) 21 5835 6720

E-mail: [jason@chenghuibearing.com](mailto:jason@chenghuibearing.com) / [www.chenghuibearing.com](http://www.chenghuibearing.com)

# Interchange of CCYR, CCYR..S



Inch	W/O Cage	With Inner Ring	Crowned OD	W/O Seals	52100 Steel		
C&H	McGill	Smith	Torrington NSK	RBC	INA	IKO	NTN
CCYR 3/4	CCYR 3/4	YR-3/4C	YCRC-12	CY24	RF-12-Y	CRY12 VR	NACV12/3AS
CCYR 7/8	CCYR 7/8	YR-7/8C	YCRC-14	CY28	RF-14-Y	CRY14 VR	NACV14/3AS
CCYR 1	CCYR 1	YR-1C	YCRC-16	CY32	RF-16-Y	CRY16 VR	NACV16/3AS
CCYR 1 1/8	CCYR 1 1/8	YR-1 1/8C	YCRC-18	CY36	RF-18-Y	CRY18 VR	NACV18/3AS
CCYR 1 1/4	CCYR 1 1/4	YR-1 1/4C	YCRC-20	CY40	RF-20-Y	CRY20 VR	NACV20/3AS
CCYR 1 3/8	CCYR 1 3/8	YR-1 3/8C	YCRC-22	CY44	RF-22-Y	CRY22 VR	NACV22/3AS
CCYR 1 1/2	CCYR 1 1/2	YR-1 1/2C	YCRC-24	CY48	RF-24-Y	CRY24 VR	NACV24/3AS
CCYR 1 5/8	CCYR 1 5/8	YR-1 5/8C	YCRC-26	CY52	RF-26-Y	CRY26 VR	NACV26/3AS
CCYR 1 3/4	CCYR 1 3/4	YR-1 3/4C	YCRC-28	CY56	RF-28-Y	CRY28 VR	NACV28/3AS
CCYR 1 7/8	CCYR 1 7/8	YR-1 7/8C	YCRC-30	CY60	RF-30-Y	CRY30 VR	NACV30/3AS
CCYR 2	CCYR 2	YR-2C	YCRC-32	CY64	RF-32-Y	CRY32 VR	NACV32/3AS
CCYR 2 1/4	CCYR 2 1/4	YR-2 1/4C	YCRC-36	CY72	RF-36-Y	CRY36 VR	NACV36/3AS
CCYR 2 1/2	CCYR 2 1/2	YR-2 1/2C	YCRC-40	CY80	RF-40-Y	CRY40 VR	NACV40/3AS
CCYR 2 3/4	CCYR 2 3/4	YR-2 3/4C	YCRC-44	CY88	RF-44-Y	CRY44 VR	NACV44/3AS
CCYR 3	CCYR 3	YR-3C	YCRC-48	CY96	RF-48-Y	CRY48 VR	NACV48/3AS
CCYR 3 1/4	CCYR 3 1/4	YR-3 1/4C	YCRC-52	CY104	RF-52-Y	CRY52 VR	NACV52/3AS
CCYR 3 1/2	CCYR 3 1/2	YR-3 1/2C	YCRC-56	CY112	RF-56-Y	CRY56 VR	NACV56/3AS
CCYR 4	CCYR 4	YR-4C	YCRC-64	CY128	RF-64-Y	CRY64 VR	NACV64/3AS
				CY160			NACV80/3AS
				CY192			NACV96/3AS
				CY224			

Inch	Without Cage	With Inner Ring	Crowned OD	With Seals	52100 Steel		
C&H	McGill	Smith	Torrington NSK	RBC	INA	IKO	NTN
CCYR 3/4 S	CCYR 3/4 S	YR-3/4XC	YCRSC-12	CY24L	RF-12-PPY	CRY12 VUUR	NACV12LL/3AS
CCYR 7/8 S	CCYR 7/8 S	YR-7/8XC	YCRSC-14	CY28L	RF-14-PPY	CRY14 VUUR	NACV14LL/3AS
CCYR 1 S	CCYR 1 S	YR-1XC	YCRSC-16	CY32L	RF-16-PPY	CRY16 VUUR	NACV16LL/3AS
CCYR 1 1/8 S	CCYR 1 1/8 S	YR-1 1/8XC	YCRSC-18	CY36L	RF-18-PPY	CRY18 VUUR	NACV18LL/3AS
CCYR 1 1/4 S	CCYR 1 1/4 S	YR-1 1/4XC	YCRSC-20	CY40L	RF-20-PPY	CRY20 VUUR	NACV20LL/3AS
CCYR 1 3/8 S	CCYR 1 3/8 S	YR-1 3/8XC	YCRSC-22	CY44L	RF-22-PPY	CRY22 VUUR	NACV22LL/3AS
CCYR 1 1/2 S	CCYR 1 1/2 S	YR-1 1/2XC	YCRSC-24	CY48L	RF-24-PPY	CRY24 VUUR	NACV24LL/3AS
CCYR 1 5/8 S	CCYR 1 5/8 S	YR-1 5/8XC	YCRSC-26	CY52L	RF-26-PPY	CRY26 VUUR	NACV26LL/3AS
CCYR 1 3/4 S	CCYR 1 3/4 S	YR-1 3/4XC	YCRSC-28	CY56L	RF-28-PPY	CRY28 VUUR	NACV28LL/3AS
CCYR 1 7/8 S	CCYR 1 7/8 S	YR-1 7/8XC	YCRSC-30	CY60L	RF-30-PPY	CRY30 VUUR	NACV30LL/3AS
CCYR 2 S	CCYR 2 S	YR-2XC	YCRSC-32	CY64L	RF-32-PPY	CRY32 VUUR	NACV32LL/3AS
CCYR 2 1/4 S	CCYR 2 1/4 S	YR-2 1/4XC	YCRSC-36	CY72L	RF-36-PPY	CRY36 VUUR	NACV36LL/3AS
CCYR 2 1/2 S	CCYR 2 1/2 S	YR-2 1/2XC	YCRSC-40	CY80L	RF-40-PPY	CRY40 VUUR	NACV40LL/3AS
CCYR 2 3/4 S	CCYR 2 3/4 S	YR-2 3/4XC	YCRSC-44	CY88L	RF-44-PPY	CRY44 VUUR	NACV44LL/3AS
CCYR 3 S	CCYR 3 S	YR-3XC	YCRSC-48	CY96L	RF-48-PPY	CRY48 VUUR	NACV48LL/3AS
CCYR 3 1/4 S	CCYR 3 1/4 S	YR-3 1/4XC	YCRSC-52	CY104L	RF-52-PPY	CRY52 VUUR	NACV52LL/3AS
CCYR 3 1/2 S	CCYR 3 1/2 S	YR-3 1/2XC	YCRSC-56	CY112L	RF-56-PPY	CRY56 VUUR	NACV56LL/3AS
CCYR 4 S	CCYR 4 S	YR-4XC	YCRSC-64	CY128L	RF-64-PPY	CRY64 VUUR	NACV64LL/3AS
CCYR 5 S	CCYR 5 S	YR-5XC	YCRSC-80	CY160L			NACV80LL/3AS
CCYR 6 S	CCYR 6 S	YR-6XC	YCRSC-96	CY192L			NACV96LL/3AS
CCYR 7 S	CCYR 7 S		YCRSC-112	CY224L			
CCYR 8 S	CCYR 8 S						
CCYR 9 S	CCYR 9 S						
CCYR 10 S	CCYR 10 S						

**Shanghai Chenghui (C&H) Bearing Co., Ltd**

2-1709, No 289, Zheqiao Road, Pudong, Shanghai, China

Tel: +86 (0) 21 5835 6710 Fax: +86 (0) 21 5835 6720

E-mail: [jason@chenghuibearing.com](mailto:jason@chenghuibearing.com) / [www.chenghuibearing.com](http://www.chenghuibearing.com)