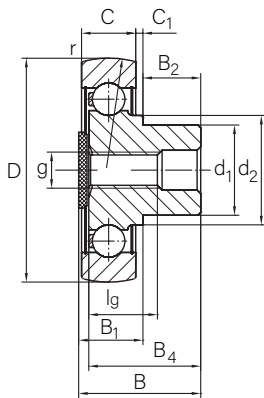
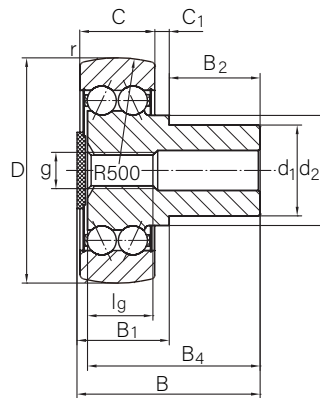


Stud type track rollers ZL2, ZL52

single row, lip seal on stud side, axial sealing action sealing shield with cover on the end face



ZL2..-DRS



ZL52..-DRS



Code	D	d ₁	B	B _{1 max}	B ₂	B ₄	C	C ₁	d ₂	g	lg	R	r _{min}	mass	C _{r w}	C _{0r w}	C _{ur w}	nD G
	mm													kg	N	N	N	1/min
ZL202-DRS	40	16	23,8	14	10	21,5	11	2	20	M8	15	500	0,6	0,08	7000	3350	170	8500
ZL203-DRS	47	18	26,5	14,5	12	24,5	12	2	22,9	M8	16	500	0,6	0,12	8900	4450	223	6500
ZL204-DRS	52	20	30,7	17	14	28,5	14	2	26,8	M10	18	500	1	0,17	11300	5700	295	6000
ZL205-DRS	62	25	33,8	18	16	31	15	2	30,3	M10	19	500	1	0,25	13300	7100	360	5500
ZL5201-DRS	35	14	33,2	19,5	14	31	15,9	2,6	17,1	M8	14	500	0,6	0,09	8700	5200	260	7500
ZL5202-DRS	40	16	36,2	20,5	16	34	15,9	3,5	20	M8	15	500	0,6	0,12	10000	6300	320	7000
ZL5203-DRS	47	18	39,5	21,5	18	37,5	17,5	3,5	22,9	M8	15	500	0,6	0,19	12800	8400	420	5500
ZL5204-DRS	52	20	45,3	25,5	20	43	20,6	4	26,8	M10	18	500	1	0,25	16100	10700	550	5000
ZL5205-DRS	62	25	50,4	25,5	25	47,5	20,6	4	30,3	M10	18	500	1	0,38	18800	13200	670	4500
ZL5206-DRS	72	30	59	29	30	56,5	23,8	4,5	37,3	M16	20	500	1	0,55	25000	18000	930	3500
ZL5207-DRS	80	35	69,2	33,5	36	66,5	27	5,5	42,4	M16	20	500	1,1	0,71	31000	22800	1200	2800

R - Crowning radius

C_{r w} - Effective dynamic load rating as track roller (radial)

C_{0r w} - Effective static load rating as track roller (radial)

C_{ur w} - Fatigue limit load

nD G - Speed (with continuous operation and grease lubrication)

Sealing solutions - NBR (Nitrile Butadiene Rubber) seal reinforced with sheet steel on stud side, axial sealing action sealing SPCC shield with cover on the end face (standard delivery without cover, on request)

Assembling aid head - Mounting slot

Grease - Shell Alvania EP2 or Kyodo Yushi Multemp SRL

Tolerance - ISO class 0

Clearance - C0 (normal)

Runout - ISO class 6 or ISO class 5 on request

Shanghai chenghui (C&H) Bearing Co.,Ltd

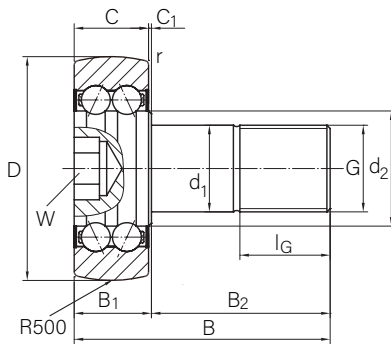
2-1709, No 289, Zheqian Road, Pudong, Shanghai, China

Tel: +86 (0) 21 58356710 Fax: +86 (0) 21 58356720

E-mail: jason@chenghuibearing.com / chenghui-china.com

Stud type track rollers KR52

double row, lip seals on both sides



Code	D	d ₁	B	B _{1 max}	B ₂	C	C ₁	d ₂	G	IG	R	r _{min}	W	mass	M _A	C _{r w}	C _{0r w}	C _{ur w}	nD G
	mm													kg	Nm	N	N	N	1/min
KR5201-2RS	35	12	49,2	17	32,5	15,9	0,8	17,1	M12X1,5	17	500	0,6	6	0,12	45	8700	5200	260	7500
KR5202-2RS	40	16	53,2	17	36,5	15,9	0,8	20	M16X1,5	19	500	0,6	8	0,19	70	10000	6300	320	7000
KR5203-2RS	47	18	58,8	18,5	40,5	17,5	0,8	22,9	M18X1,5	21	500	0,6	8	0,29	115	12800	8400	420	5500
KR5204-2RS	52	20	63,6	22,5	41,5	20,6	1,5	26,8	M20X1,5	21	500	1	10	0,38	160	16100	10700	550	5000
KR5205-2RS	62	24	70,9	21,5	49,5	20,6	0,8	30,3	M24X1,5	25	500	1	10	0,58	290	18800	13200	670	4500
KR5206-2RS	72	24	74,1	25	49,5	23,8	0,8	37,3	M24X1,5	25	500	1	10	0,8	290	25000	18000	930	3500
KR5207-2RS	80	30	91	28	63	27	1	42,4	M30X1,5	32	500	1,1	12	1,2	600	31000	22800	1200	2800

R - Crowning radius

Cr w - Effective dynamic load rating as track roller (radial)

Cor w - Effective static load rating as track roller (radial)

Cur w - Fatigue limit load

nD G - Speed (with continuous operation and grease lubrication)

Assembling aid head - Hexagon socket

Sealing solutions - two NBR (Nitrile Butadiene Rubber) seal reinforced with with sheet

steel Grease - Shell Alvania EP2 or Kyodo Yushi Multemp SRL

Tolerance - ISO class 0

Clearance - C0 (normal)

Runout - ISO class 6 or ISO class 5 on request

Shanghai chenghui (C&H) Bearing Co.,Ltd

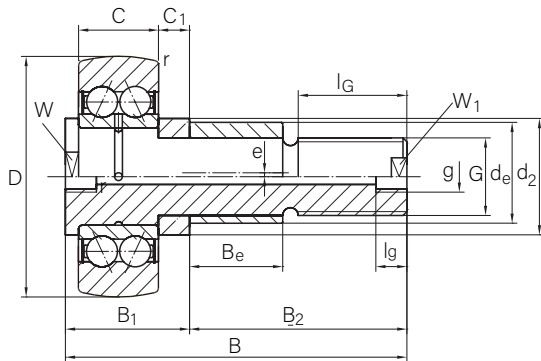
2-1709, No 289, Zheqian Road, Pudong, Shanghai, China

Tel: +86 (0) 21 58356710 Fax: +86 (0) 21 58356720

E-mail: jason@chenghuibearing.com / chenghui-china.com

Stud type track rollers ZLE52-2Z

double row, eccentric stud, gap seals on both sides



ZLE52...-2Z

Number	D	d _e	B	B _{1 max}	B ₂	B _e	C	C ₁	d ₂	e	G	g
	mm											
ZLE5201-2Z	35	18	65,5	20,5	45	18	15,9	2	25	1	M12X1,5	M6
ZLE5202-2Z	40	22	66,5	21,5	45	16	15,9	2,5	27	1	M14	M8X1
ZLE5204-2Z	52	24	76	26	50	18	20,6	2,5	30	1	M20X1,5	M8X1
ZLE5205-2Z	62	24	88	32	56	25	20,6	8	30	1	M20X1,5	M8X1
ZLE5207-2Z	80	35	99	35	64	29	27	3	45	1,5	M30X1,5	M8X1

Continued

Number	IG _{min}	lg	R	r _{min}	W	W ₁	m	M _A	C _{r w}	C _{0r w}	C _{ur w}	F _{r per}	nD G
	mm						kg	Nm	N	N	N	N	1/min
ZLE5201-2Z	24	6	500	0,6	15	9	0,25	30	8800	6000	305	4800	11100
ZLE5202-2Z	25	8	500	0,6	17	10	0,35	40	10800	7500	385	7500	10200
ZLE5204-2Z	29	8	500	1	22	17	0,46	150	16900	12300	640	10200	7300
ZLE5205-2Z	28	8	500	1	22	17	0,64	150	19700	15400	790	15400	6500
ZLE5207-2Z	32	8	500	1,1	40	27	1,3	540	33000	26500	1410	22200	4650

R - Crowning radius

Cr w - Effective dynamic load rating as track roller (radial)

C_{0r w} - Effective static load rating as track roller (radial)

C_{ur w} - Fatigue limit load

F_{r per} - Permissible dynamic load outer ring, radial

nD G - Speed (with continuous operation and grease lubrication)

Sealing solutions - two shields

Assembling aid head - Spanner flat

Mounting aid stud - Spanner flat

Grease - Shell Alvania EP2 or Kyodo Yushi Multemp SRL

Tolerance - ISO class 0

Clearance - C0 (normal)

Runout - ISO class 6 or ISO class 5 on request

Shanghai chenghui (C&H) Bearing Co.,Ltd

2-1709, No 289, Zheqian Road, Pudong, Shanghai, China

Tel: +86 (0) 21 58356710 Fax: +86 (0) 21 58356720

E-mail: jason@chenghuibearing.com / chenghui-china.com